



# Water Rainbow® LS Fill Spout/Faucet Kit Installation Instructions

**IMPORTANT:** Read all instructions before beginning installation. Consult local codes for requirements.

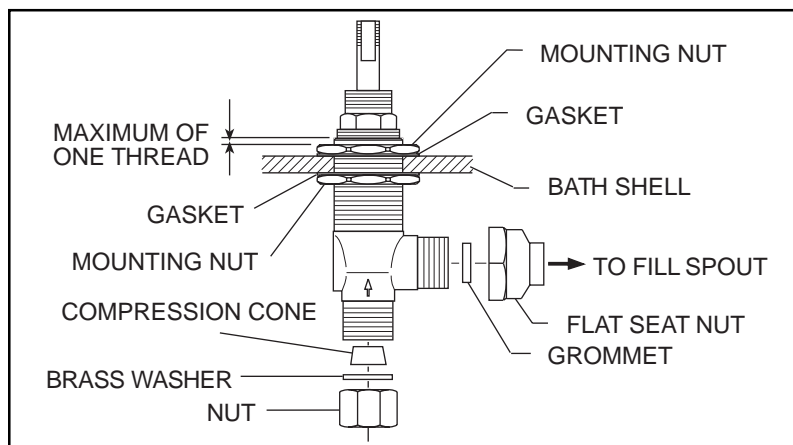
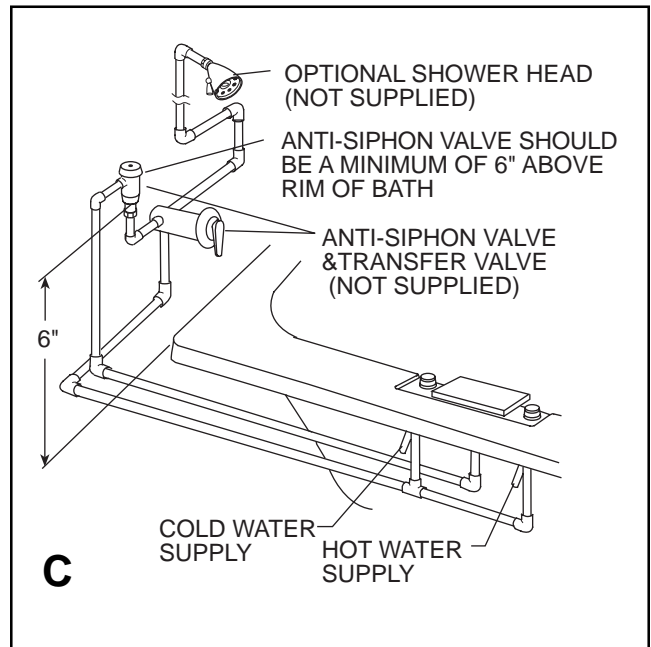
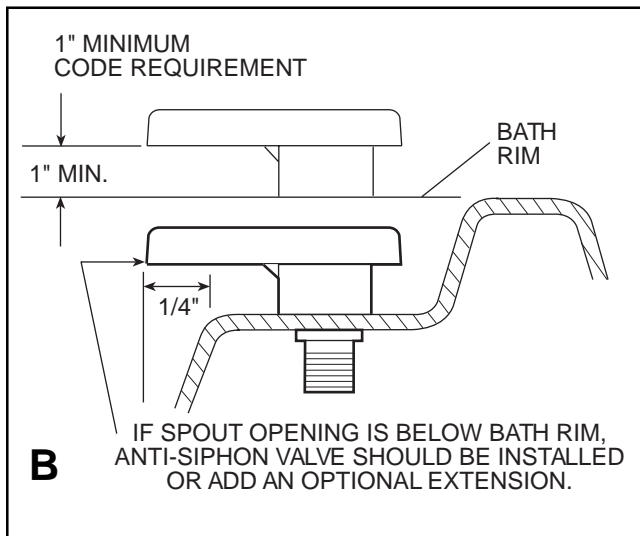
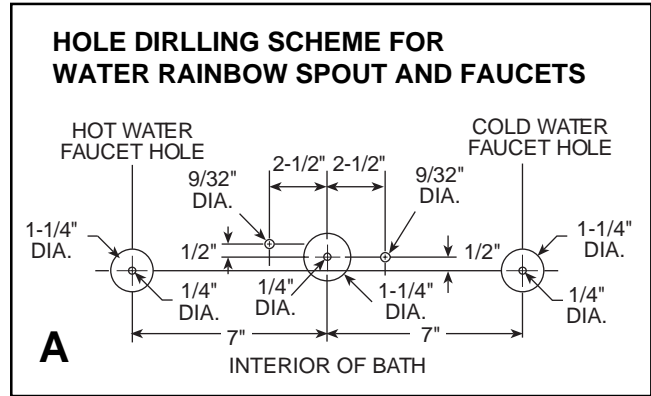
## Drilling Holes

Drill holes from the finished surface side of the unit very carefully, making sure they are the proper size. We recommend that you drill pilot holes and then use the recommended drill size.

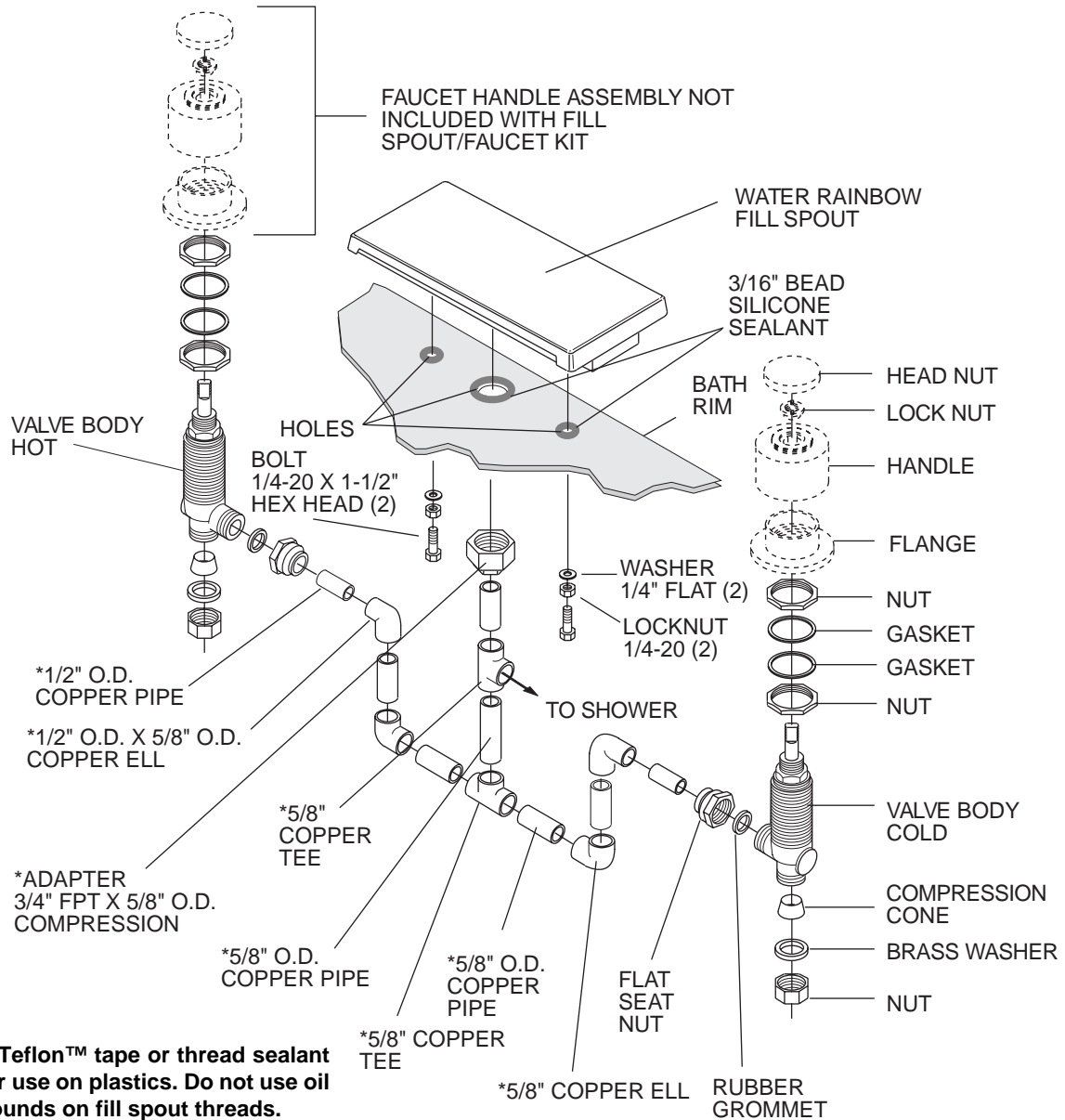
Remove excess sealant using a damp cloth.

## Plumbing Code Requirements

When the water Rainbow fill spout is mounted on the bath and the fill spout opening is less than 1" above the bath rim (see illustration B) plumbing codes will require the installation of an anti-siphon valve. Locate the anti-siphon valve 6" above the rim of the bath (see illustration C) in a vertical position over a waterproof surface or fixture to allow for any possible water leakage through the air vent. The valve must be installed with access for service. Optional extensions are available to raise the fill spout further.



**SUGGESTED WATER RAINBOW  
PLUMBING SCHEME  
(Pipe and fittings are not provided.)\***



**NOTE: Use Teflon™ tape or thread sealant designed for use on plastics. Do not use oil base compounds on fill spout threads.**

**CAUTION**

Since plumbing fittings may contribute detectable amounts of lead to water, the following notice is required by California law (Proposition 65). "This product contains a chemical known to the State of California to cause birth defects or reproductive harm." In normal use, any lead exposure can be minimized by allowing the water to run free for several seconds before drinking.

Proper installation of the fill spout and compliance with local codes is the responsibility of the installer. Jacuzzi Whirlpool Bath does not warrant connections of water supply fittings and piping, fill systems, or drain/overflow systems. Nor is it responsible for damage to the bath (or spa) which occurs during any installation procedure.

**PRODUCT SPECIFICATIONS ARE SUBJECT TO CHANGE WITHOUT NOTICE.  
USE INSTALLATION INSTRUCTIONS SUPPLIED WITH PRODUCT.**

Jacuzzi Whirlpool Bath has obtained applicable code (standards) listings generally available on a national basis for products of this type. It is the responsibility of the installer/owner to determine specific local code compliance prior to installation of the product. Jacuzzi Whirlpool Bath makes no representation or warranty regarding, and will not be responsible for any code compliance.

**JACUZZI WHIRLPOOL BATH**

**Jacuzzi Whirlpool Bath National Headquarters**  
P.O. Drawer J, Walnut Creek, CA 94596 (510) 938-7070  
**Service Support:** Call (800) 288-4002

©1991 Jacuzzi Whirlpool Bath B077000 D 9/97

