



# WATER RAINBOW™ CASCADE INSTALLATION INSTRUCTIONS

**Important: Read complete instructions before beginning installation.**

The Water Rainbow™ Cascade is an optional feature designed for installation on the Shower Surround System. The installation procedure requires drilling holes in the seatwall. A hole drilling template and instructions are provided here for that purpose.

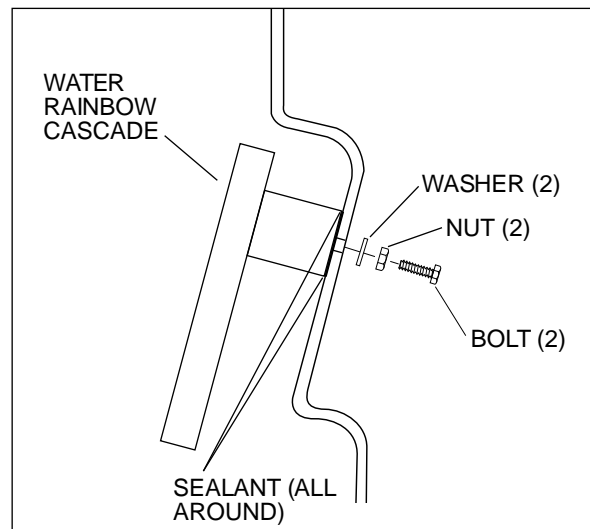
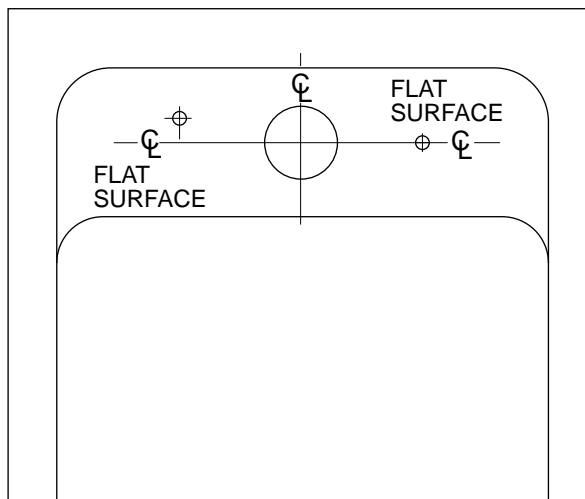
## Drilling Holes

Tape the template (included with these instructions) onto the surface of the seatwall locating the center line of the flat surface shown in the illustration.

Using a scribe tool or awl, mark the center points for all three holes. Then remove the template.

Drill holes very carefully, making sure they are the proper size. For best results begin drilling at slow speed until the drill penetrates the finished surface, then use high speed.

Clean up dust particles using a soft dampened cloth.

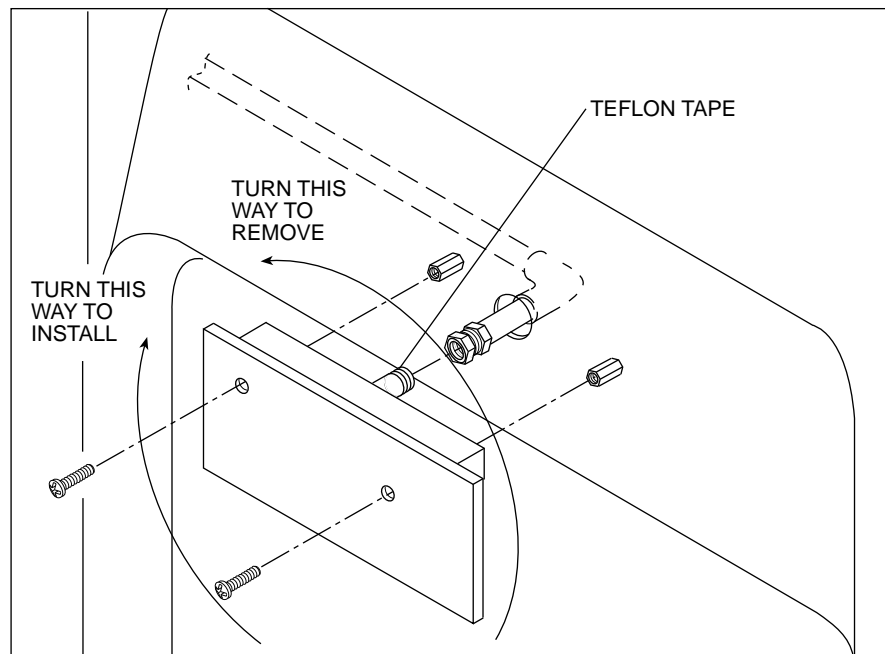
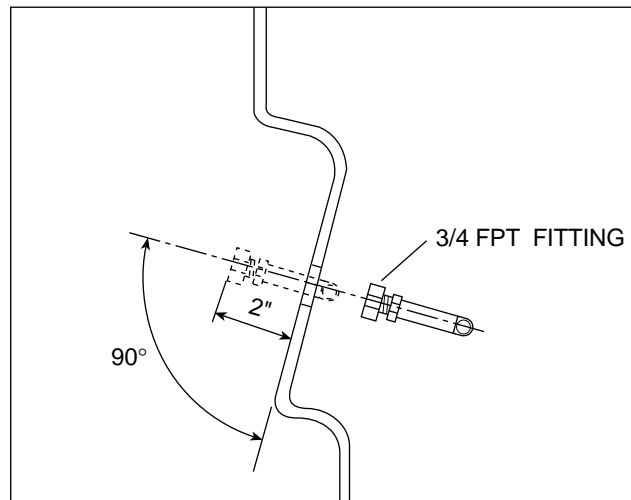
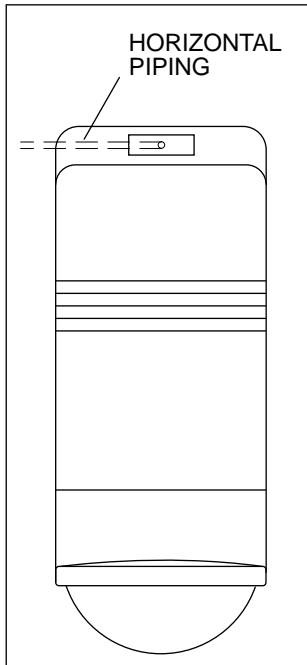


## Installation for Future Access

If future access to the Water Rainbow cascade behind the seatwall is not possible, it is possible to install the cascade so that it can be serviced from the front should it be necessary.

To do this allow at least 2" of flexibility in the piping so that it can be pulled out through the hole in the seatwall. Use a 3/4 FPT fitting at the connection of the pipe extension to allow disconnection.

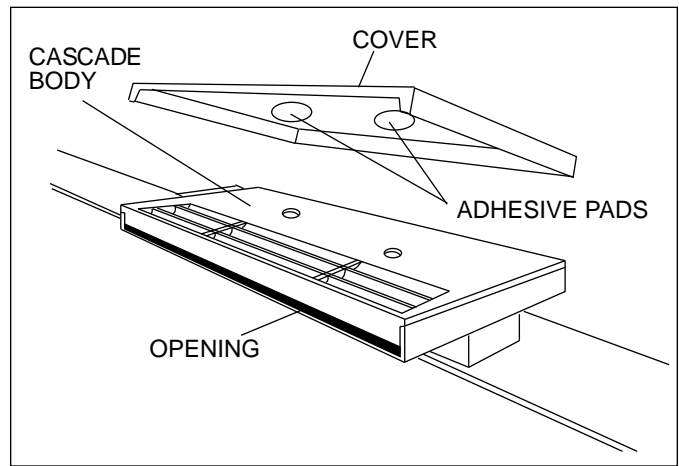
The piping should run horizontally with the 3/4" FPT fitting set at 90° to the surface of the cascade seating surface.



To service the Water Rainbow™ Cascade, first pry off the cover . Do not use sharp tools. Then remove the two screws and pull the spout through the hole. (Two stand-offs will remain attached to the seatwall.) Unscrew the spout counterclockwise to remove. After servicing the spout, apply teflon tape to the threads and screw the spout onto the fitting by turning clockwise. Then press the unit onto the stand-offs and reinstall the two screws. Reattach the cover.

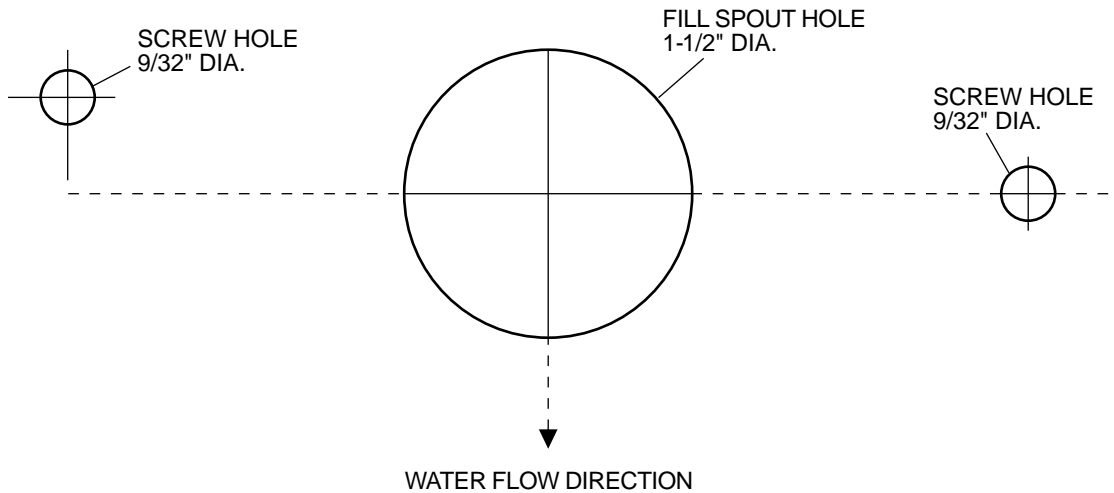
## Installing the Cover

After installation has been completed and all connections have been made, install the cascade cover. To do this, first clean off the top of the cascade body using isopropyl alcohol; then locate the adhesive pads on the underside of the cover. Remove the liners from each of the pads. Place the cover over the cascade so the opening matches the cascade opening. Press the cover firmly onto the cascade body.



-----  
DETACH FROM INSTRUCTIONS HERE

IMPORTANT: READ ANY FOLLOW INSTRUCTIONS ON ATTACHED SHEETS BEFORE DRILLING HOLES. SEE ILLUSTRATION FOR RECOMMENDED HOLE LOCATIONS.



**HOLE DRILLING TEMPLATE—WATER RAINBOW™**

**PRODUCT SPECIFICATIONS ARE SUBJECT TO CHANGE WITHOUT NOTICE.  
USE INSTALLATION INSTRUCTIONS SUPPLIED WITH PRODUCT.**

It is the responsibility of the installer/owner to determine specific local code compliance prior to installation of this product. Jacuzzi Whirlpool Bath makes no representation or warranty regarding, and will not be responsible for any code compliance.

---

**JACUZZI WHIRLPOOL BATH**

**Jacuzzi Whirlpool Bath National Headquarters**  
P.O. Drawer J, Walnut Creek, CA 94596 (510) 938-7070  
Customer Service: Call (800) 288-4002



Printed on Recycled Paper

© Copyright 1994 Jacuzzi Whirlpool Bath E482000 3/94

Printed in the U.S.A.