



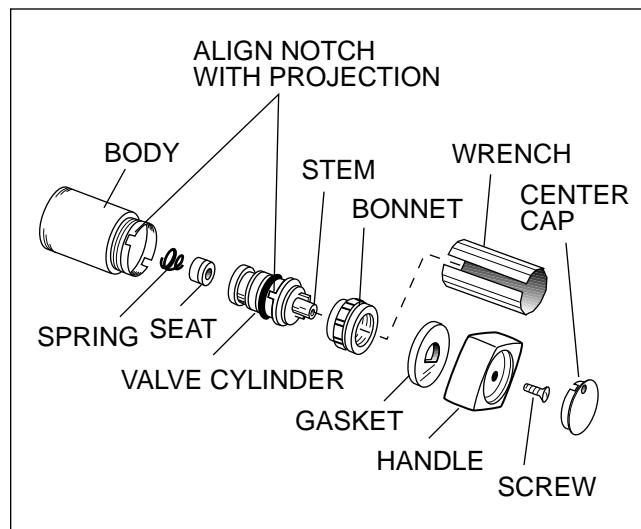
Faucet Valve Replacement

Faucet Valve Replacement

Jacuzzi Whirlpool Bath has provided a special wrench with which to change the cylinder valve assembly under the water supply handles should it require replacement. Keep this tool in a safe place for use at a later date.

To replace the cylinder valve and seat assembly, first turn off the water supply to the bath. Pry the center cap from the square handle. Remove the screw and the handle. Place the wrench on the bonnet and turn it counterclockwise. Remove the bonnet, leaving it in the wrench. Note the position of the valve cylinder before removing the cylinder. Use pliers to pull the valve cylinder stem out of the body. Slip the replacement cylinder unit into the body so that the stops of both faucets are positioned toward the interior of the bath, allowing rotation in the same direction. Secure the bonnet in place using the wrench. Replace the handle and the screw. Snap the center cap into place.

Faucet replacement parts for valves supplied by Jacuzzi Whirlpool Bath are available from your Jacuzzi Whirlpool Bath dealer.



Printed on Recycled Paper

©1995 Jacuzzi Whirlpool Bath F920000 1/95

Printed in the U.S.A.



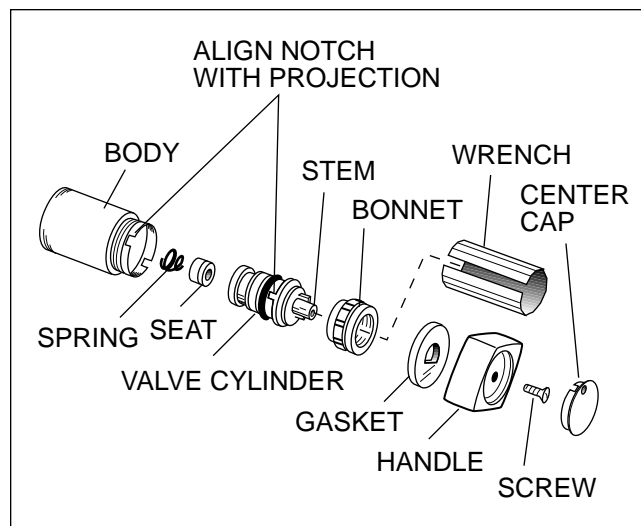
Faucet Valve Replacement

Faucet Valve Replacement

Jacuzzi Whirlpool Bath has provided a special wrench with which to change the cylinder valve assembly under the water supply handles should it require replacement. Keep this tool in a safe place for use at a later date.

To replace the cylinder valve and seat assembly, first turn off the water supply to the bath. Pry the center cap from the square handle. Remove the screw and the handle. Place the wrench on the bonnet and turn it counterclockwise. Remove the bonnet, leaving it in the wrench. Note the position of the valve cylinder before removing the cylinder. Use pliers to pull the valve cylinder stem out of the body. Slip the replacement cylinder unit into the body so that the stops of both faucets are positioned toward the interior of the bath, allowing rotation in the same direction. Secure the bonnet in place using the wrench. Replace the handle and the screw. Snap the center cap into place.

Faucet replacement parts for valves supplied by Jacuzzi Whirlpool Bath are available from your Jacuzzi Whirlpool Bath dealer.



Printed on Recycled Paper

©1995 Jacuzzi Whirlpool Bath F920000 1/95

Printed in the U.S.A.