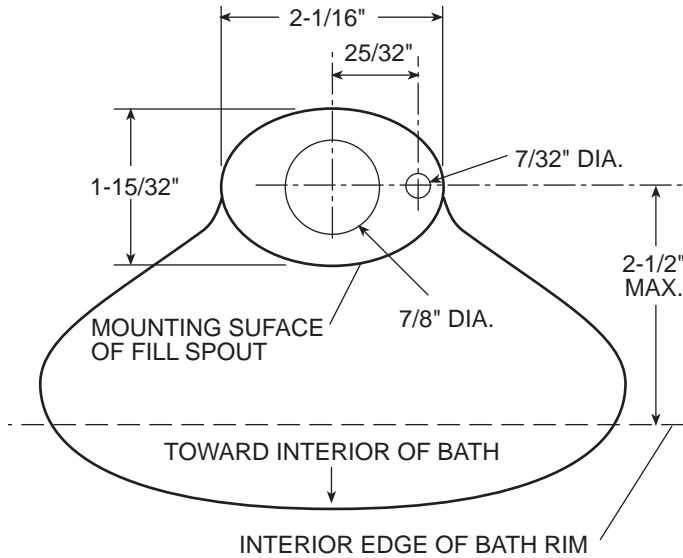




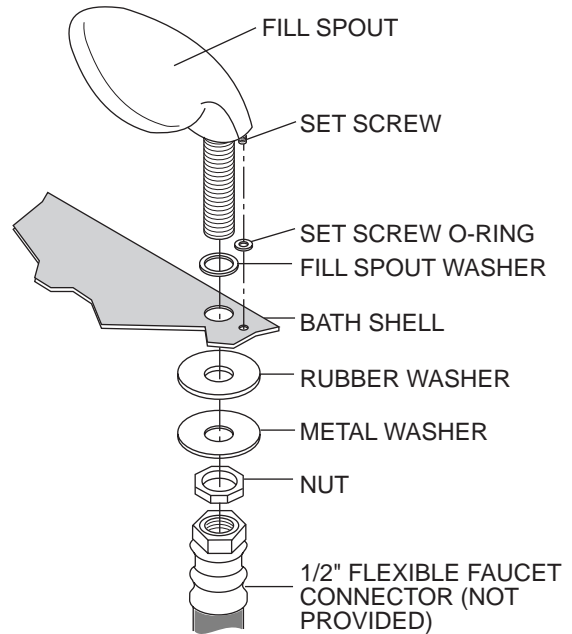
INSTALLATION

TREVI™ FILL SPOUT

HOLE DRILLING GUIDE (SEE TEMPLATE NEXT PAGE)



INSTALLATION ON BATH

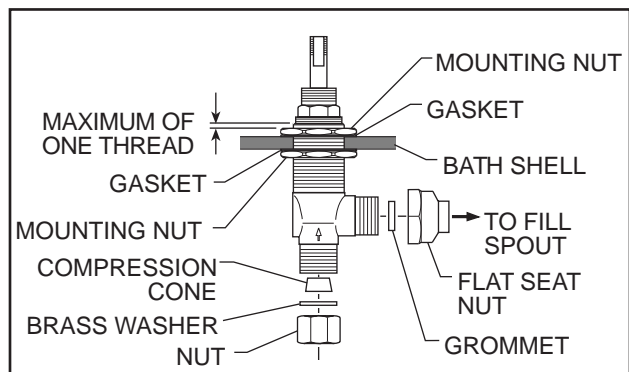
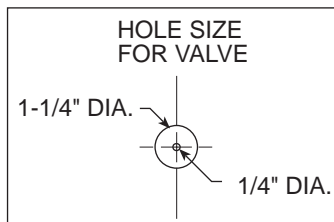


INSTALLATION

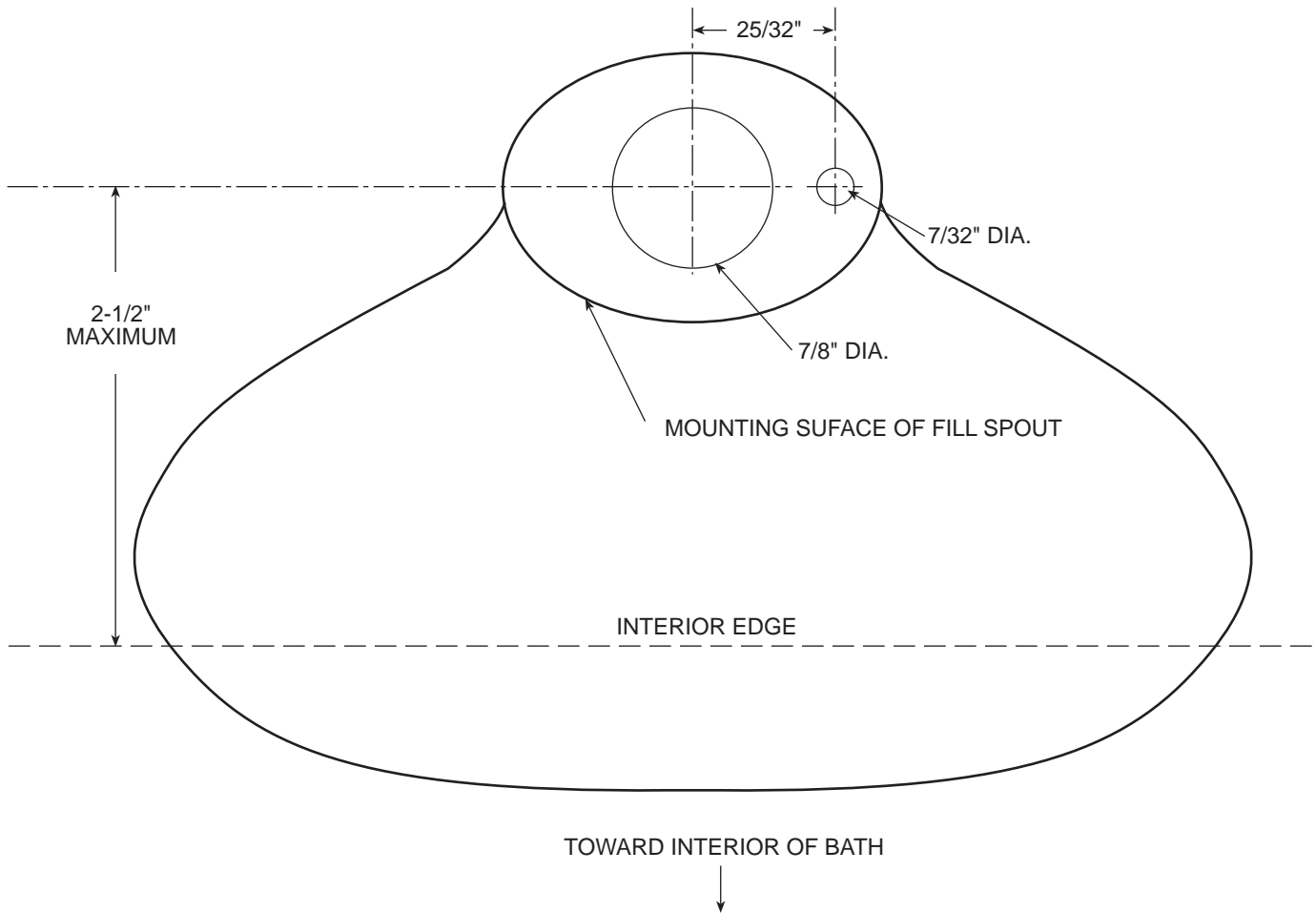
1. Drill a 7/8" diameter hole in the deck with a 1/4" diameter hole 13/16" (center to center) away from the 7/8" hole. Drill the second hole so that the fill spout is oriented properly toward the bath. Use drilling template on next page.
2. Install set screw and fill spout washers.
3. Install fill spout through the 7/8" diameter hole while aligning the set screw to the 1/4" hole.
4. From the underside of the bath rim install the rubber washer, metal washer and nut as shown. Tighten the nut.
5. Connect water supply hose (not provided) from the mixer valve.

Drilling Holes for Valves

Drill holes from the finished surface side of the unit very carefully, making sure they are the proper size. We recommend that you drill pilot holes and then use the recommended drill size. Mount the valve as shown



HOLE DRILLING TEMPLATE



IMPORTANT

Proper installation of the fill spout and compliance with local codes is the responsibility of the installer. Jacuzzi Whirlpool Bath does not warrant connections of water supply fittings and piping or fill systems. Nor is it responsible for damage to the bath which occurs during any installation procedure.

CAUTION

Since plumbing fittings may contribute detectable amounts of lead to water, the following notice is required by California law (Proposition 65). "This product contains a chemical known to the State of California to cause birth defects or reproductive harm." In normal use, any lead exposure can be minimized by allowing the water to run free for several seconds before drinking.

