

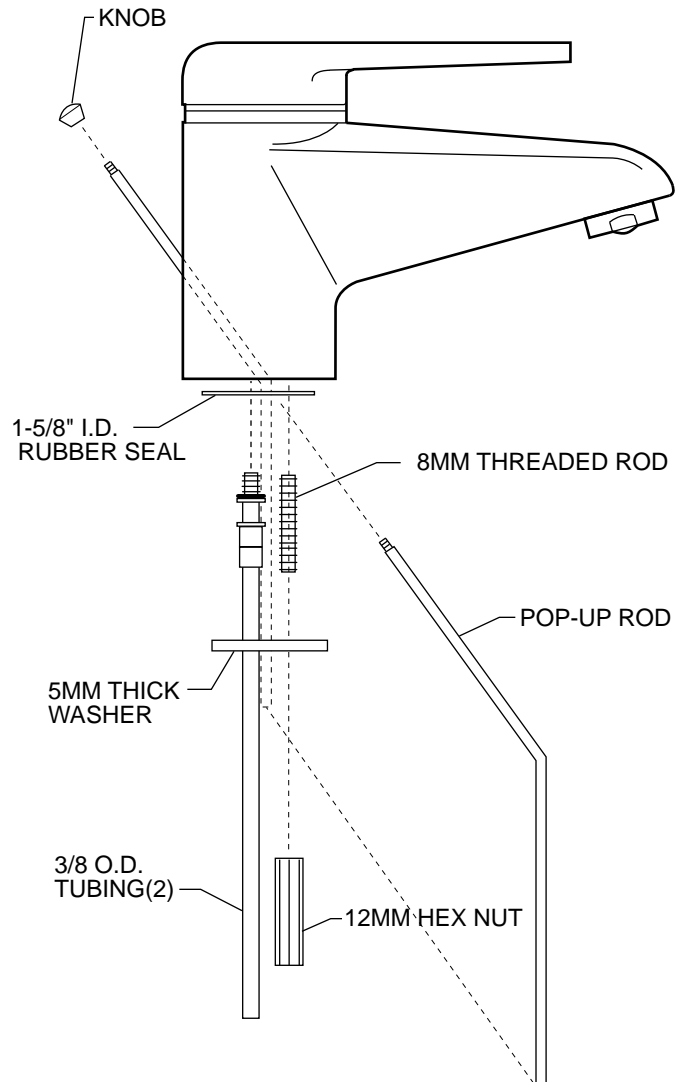


# OPTICA LAVATORY FILL SPOUT INSTALLATION INSTRUCTIONS

## Fill Spout Installation Instructions

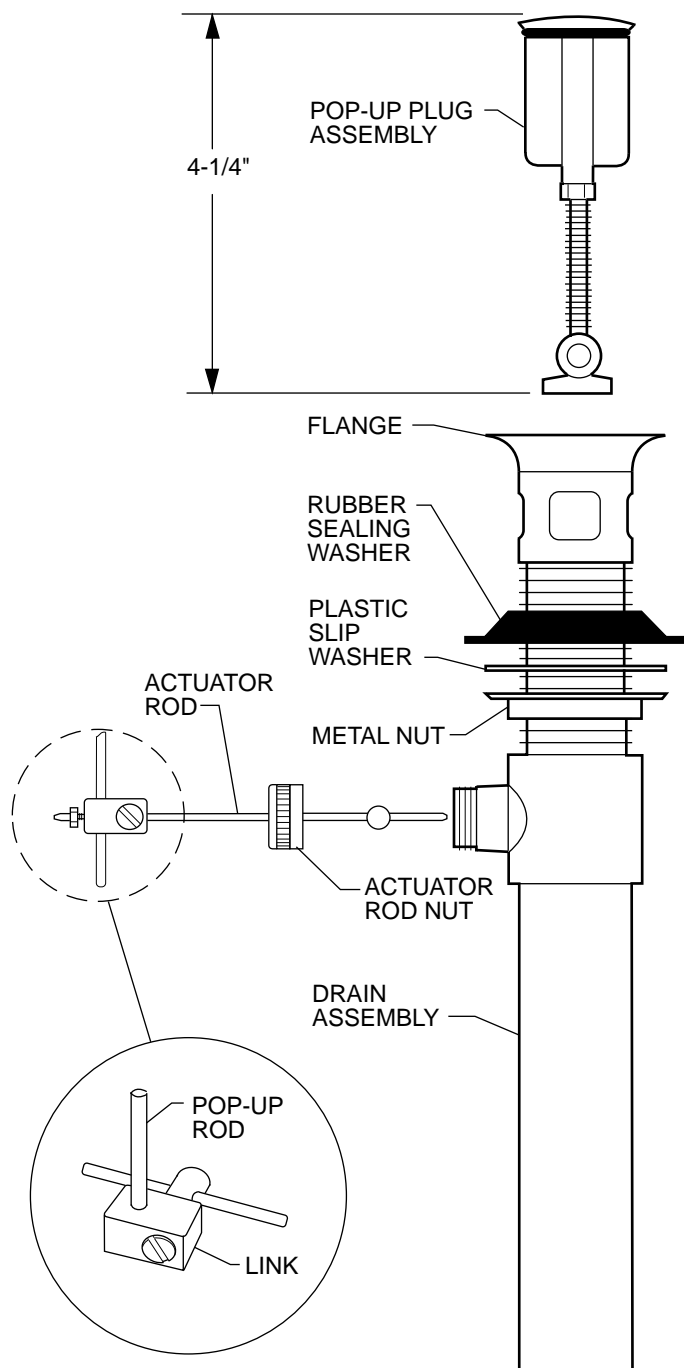
1. Install 8mm threaded rod and water supply tubes to the underside of the fill spout. Tighten water supply tubes with a 7/16" hex wrench until snug. **(Do not over tighten!)** Water supply tubes are 3/8" O.D. copper and will accept compression fittings.
2. Remove knob from pop-up rod.
3. Install pop-up rod from underside of fill spout.
4. Replace knob after inserting pop-up rod.
5. Feed assembled fill spout through the rubber seal and hole (1-1/4" to 1-5/8" diameter) in basin deck.
6. Place 5 mm thick washer over threaded rod, secure fillspout to basin deck with 12 mm hex nut.
7. Connect water supply lines to tubes.

**Note:** Water supply lines must be crossed due to single lever design.



## Pop-Up/Drain Installation Instructions

1. Disassemble the flange from the drain assembly.
2. Unscrew metal nut and remove plastic slip washer and rubber sealing washer.
3. Apply an 1/8" bead of sealant under the flange.
4. Insert flange through basin hole.
5. Secure the flange to the basin by re-installing the rubber sealing washer, plastic slip washer and metal nut to the flange in that order.
6. Tighten metal nut until snug. **(Do not over tighten!)**
7. Re-install drain assembly to the flange (make sure that threaded opening of drain assembly is facing the rear of the basin).
8. Remove actuator rod nut from drain assembly.
9. Adjust pop-up plug assembly to 4-1/4" over all length.
10. Insert pop-up plug assembly into the flange.
11. Insert pop-up actuator rod as shown into the threaded opening of the drain assembly (actuator rod must pass through plastic ring of pop-up plug assembly).
12. Replace and tighten actuator rod nut on drain assembly.
13. Install link on pop-up rod and actuator rod as shown.
14. Adjust link to pop-up rod and actuator rod to ensure proper plug seal.



### CAUTION

Since plumbing fittings may contribute detectable amounts of lead to water, the following notice is required by California law (Proposition 65). "This product contains a chemical known to the State of California to cause birth defects or reproductive harm." In normal use, any lead exposure can be minimized by allowing the water to run free for several seconds before drinking.

Proper installation of the fill spout and compliance with local codes is the responsibility of the installer. Jacuzzi Whirlpool Bath does not warrant connections of water supply fittings and piping, fill systems, or drain/overflow systems. Nor is it responsible for damage to the bath (or spa) which occurs during any installation procedure.

