



Merano™ Whirlpool Bath

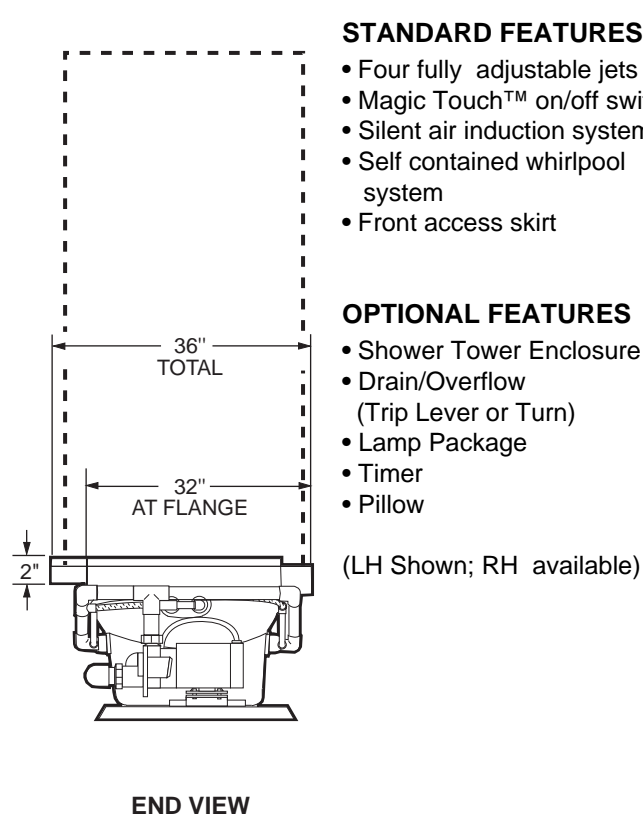
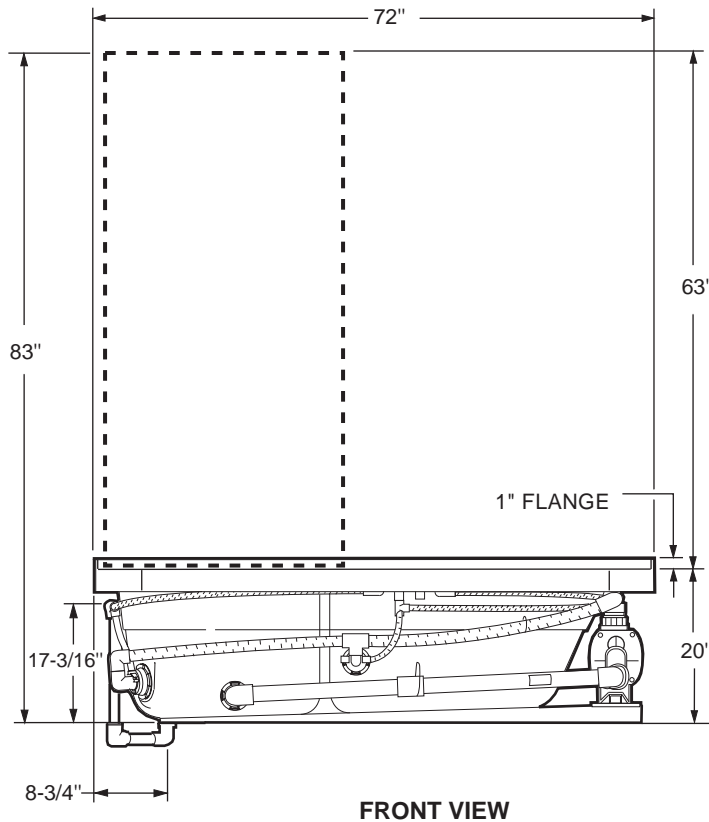
INSTALLATION INSTRUCTIONS

Important: Read complete instructions before beginning installation.

Each whirlpool bath is shipped completely equipped with motor/pump assembly, plumbing and fittings necessary for whirlpool operation and arrives ready for installation. An optional drain/overflow kit is available for installation on the bath.

Remove the bath from the carton. **Do not destroy the shipping carton until after satisfactory inspection of the product. Do not lift the bath by the plumbing at any time; handle from the shell only.**

Immediately upon receipt, inspect the shell before installing. Should inspection reveal any damage or defect in the finish, **do not install the bath.** Damage or defect to the finish claimed after the bath is installed is excluded from the warranty. Jacuzzi Whirlpool Bath's responsibility for shipping damage ceases upon delivery of the product in good order to the carrier. Refer any claims for damage to the carrier. For definitions of warranty coverage and limitations refer to the published warranty information packed with the product. All bath units are factory tested for proper operation and watertight connections prior to shipping. However, before final installation, **the bath must be filled with water and operated to check for leaks that may have resulted from shipping damage or handling.** Jacuzzi Whirlpool Bath is not responsible for any defect that could have been discovered, repaired, or avoided by following this inspection and testing procedure. Install the optional trim parts when all installation has been completed.



STANDARD FEATURES

- Four fully adjustable jets
- Magic Touch™ on/off switch
- Silent air induction system
- Self contained whirlpool system
- Front access skirt

OPTIONAL FEATURES

- Shower Tower Enclosure
- Drain/Overflow (Trip Lever or Turn)
- Lamp Package
- Timer
- Pillow

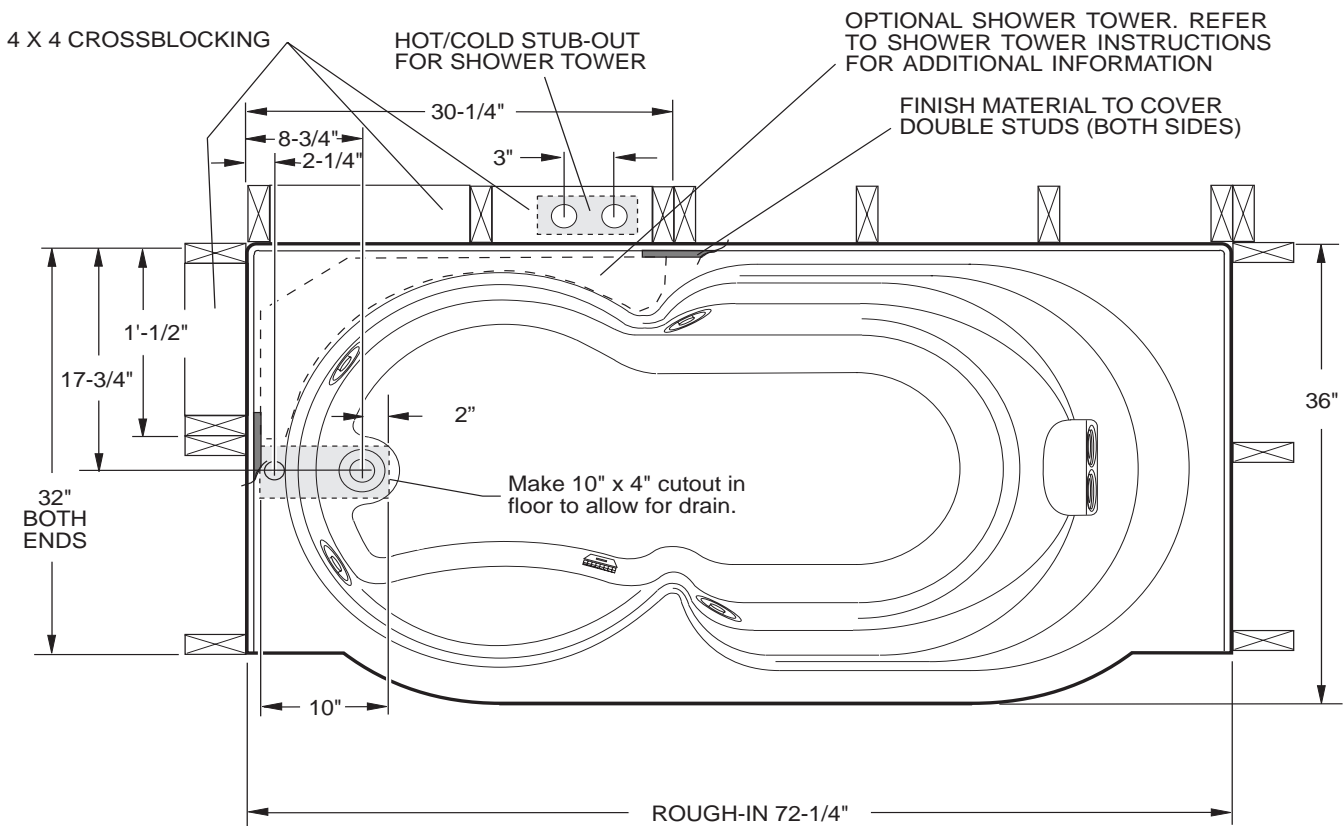
(LH Shown; RH available)

SPECIFICATIONS

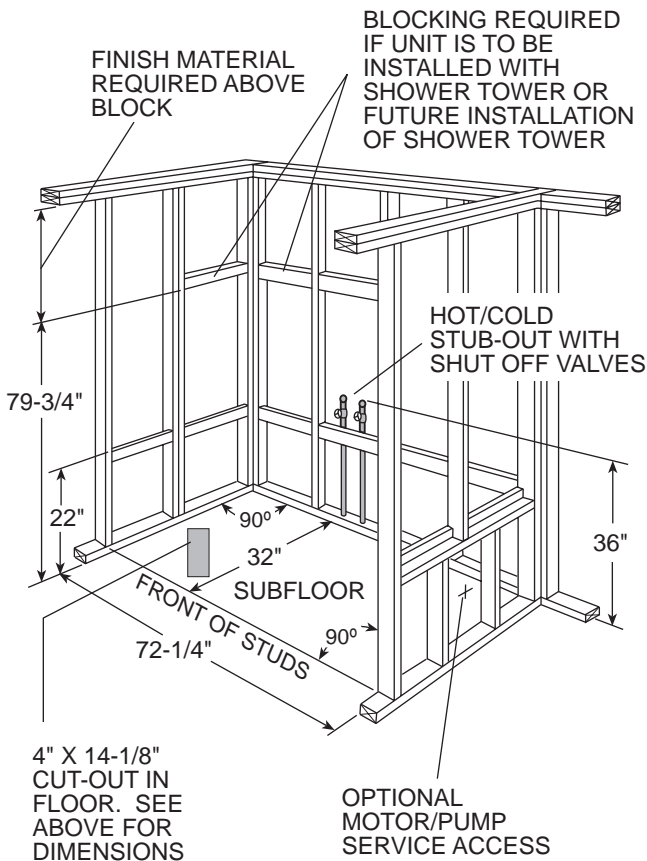
DIMENSIONS	MOTOR/PUMP	TOTAL WEIGHT	OPERATING GALLONAGE	PRODUCT WEIGHT	SHIPPING WEIGHT	ELECTRICAL REQUIREMENTS
72" (1829 mm) L	115 VAC	933 lb	67 U.S. gal	125 lb	145 lb	115 VAC
32" (813 mm) W	3450 RPM/10	(424 kg)	(254 ltrs)	(57 kg)	(66 kg)	15 AMP
20" (508 mm) H	AMP 60 Hz					60 Hz
	Single Phase					Requires Dedicated Separate Circuit

ROUGH-IN REFERENCE

(Left Hand Shown)



FRAMING DETAILS (Left Hand Shown)



Framing and Support

The optional drain/overflow of the bath extends below the bottom of the bath. Note that this requires a cutout on the floor.

If the subfloor is level, no other preparation is necessary. You can proceed to install the bath. If the subfloor is not level, you **MUST** level the entire surface prior to installing the bath. (Use a floor leveling compound.) **Do not level bath with mortar.** Both sides of a joint or splice of subfloor should be level to each other. **When attaching flanges to stud wall, use shims to fill any gaps between the bath flange and studs.**

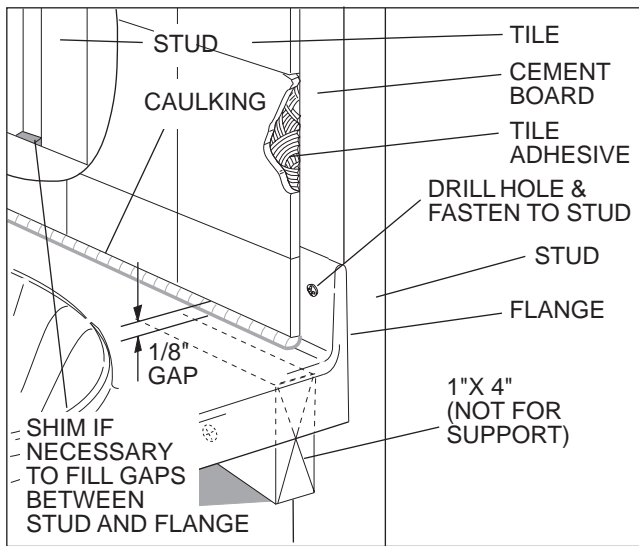
The rim of the bath is not designed to support weight. If finish material is to overlap or contact the bath, the added weight must be fully self-supporting.

The floor structure beneath the bath must be able to support a total weight of approximately 933 pounds (bath, water, and bather) or 55 pounds per square foot.

The protective film liner inside the bath should be left there to prevent damage to the finish from shoes, tools, etc. during installation and should not be removed until final cleanup.

Optional Shower Tower Information

The optional tower can be installed at the time of bath installation, or at a future time. The rough-in framing should be installed per the "Rough-in Reference and Framing



Detail" as shown on the opposite page. For bath only installation, the wall finishing material will cover the entire wall surface.

For bath installation with shower tower, the wall finishing material can cover only the necessary wall area on both sides of the shower tower or completely, as in bath only installation. For either method, the wall must be water proof. Be sure to stub-out the hot/cold water supply lines and mark the area for future location.

Electrical Connections

A separate 115 VAC 15 AMP circuit, which must be protected by a Ground Fault Circuit Interrupter (GFCI), is required. Install a 115 VAC, 15 AMP duplex outlet to the studwall underneath the bathtub at least 4" above the sub-floor.

DANGER: RISK OF ELECTRIC SHOCK:

Connect only to a circuit protected by a GFCI.

CAUTION:

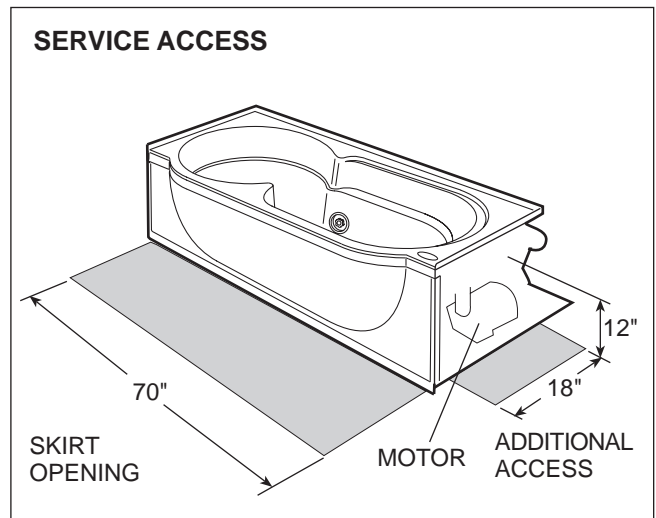
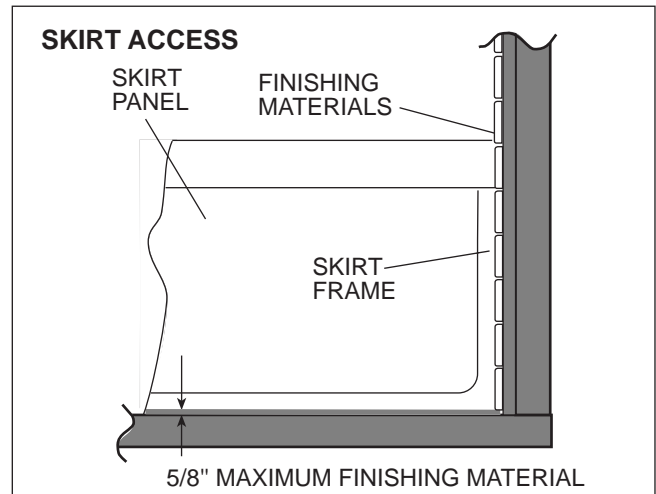
Operating the motor/pump without sufficient water in the bath can cause leaking and permanent damage to the pump. Before power is applied to the installation, make sure the switch is in the OFF position to avoid pump damage. If installation of an optional timer is desired, refer to wiring instructions provided with the timer.

Optional timer is for 115 VAC only.

Drain Information

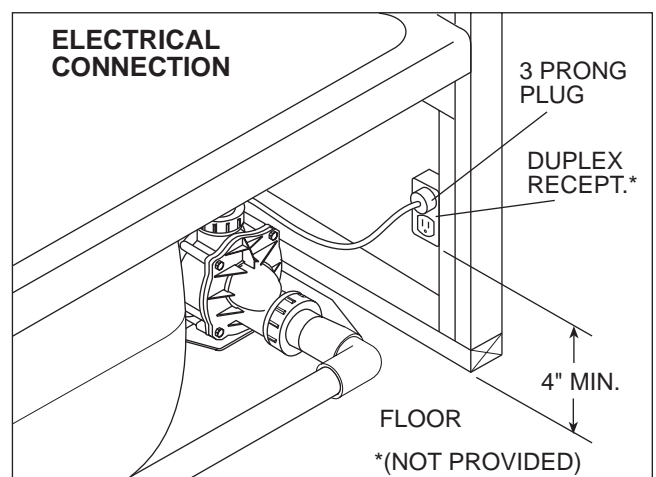
A drain/overflow assembly, purchased separately from the bath, must be installed on the bath, water tested, and connected to the sanitary system of the house. After opening the carton, inspect for damage and verify that the kit is of the proper finish. If a Jacuzzi Whirlpool Bath drain/overflow is being installed, note that the waste plug, strainer, overflow cover, and cover screws are packaged in a separate package within the kit to protect the trim finish. Install the drain/overflow according to the instructions in the kit. After the drain is fully installed, test for proper drainage. If the unit does not drain properly, rectify this condition before proceeding with the installation. Jacuzzi Whirlpool Bath is not responsible for removal and or reinstallation costs.

NOTE: Watertight installation of the drain is the installer's responsibility. Drain leakage is excluded from the Jacuzzi Whirlpool Bath warranty of this product. (See Installation Instructions provided with drain.)



Service Access

The factory installed skirt fits along the front of the bath and serves as an access panel should servicing and removal of the pump become necessary. The skirt frame is designed to accommodate the added height of the tile, linoleum, and other floor coverings up to 3/4" above the sub-floor. Allow a space of at least 8" away from the bath for skirt removal.



Plumbing

Pump, jets, and suction fitting for the whirlpool system are factory plumbed in PVC schedule 40 piping.

All Jacuzzi Whirlpool Bath products are factory tested to ensure proper operation and water tight connections prior to shipping. If leaks are detected, notify your Jacuzzi Whirlpool Bath Dealer. **Do not install the bath.**

Cleanup After Installation

In order to avoid dulling and scratching the surface of the bath, never use abrasive cleaners. A mild liquid detergent and warm water will clean soiled surfaces.

Remove spilled plaster with a wood or plastic edge. Metal tools will scratch the surface. Spots left by plaster or grout can be removed if lightly rubbed with detergent on a damp cloth or sponge.

Paint, tar, or other difficult stains can be removed with paint thinner, turpentine, or isopropyl alcohol (rubbing alcohol).

Minor scratches which do not penetrate the color finish can be removed by lightly sanding with 600-grit wet/dry sandpaper. You can restore the glossy finish to the acrylic surface of the bath with a special compound, Meguiar's #10 Mirror Glaze. If that is not available, use automotive rubbing compound followed by an application of automotive paste wax.

Major scratches and gouges which penetrate the acrylic surface will require refinishing. Ask your Jacuzzi Whirlpool Bath dealer for special instructions.

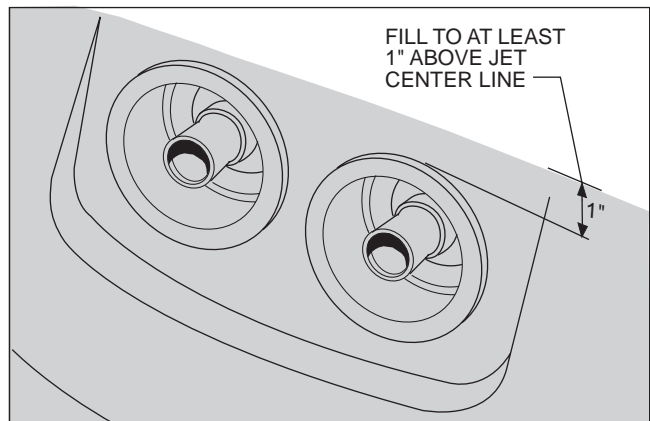
Operation Summary

For complete instructions, see "Operating Instructions."

Before using the whirlpool bath, remove all construction residue and foreign materials.

Close the drain and fill the bath with enough water to submerge the jets until water is at least 1" above the jets (see water line indicated on the illustration on this page). **Do not operate the whirlpool system at any time if jets are not completely immersed in water.** Activate the whirlpool system by pushing down on the Magic Touch™ switch button. To turn off the whirlpool system, push down on the button again. To change the direction of the water flow, swivel the jet nozzle to the desired angle.

Two knobs located on each side of the On/Off switch control the air induction system. The intensity of the hydromassage whirlpool action is determined by the amount of air inducted into the water. As the air is increased, the whirlpool action increases. For maximum air induction, turn



the control knobs fully counter-clockwise to the largest circles. For fewer air bubbles, decrease the amount of air induction by turning the control knobs clockwise. When the knobs are turned to the smallest circles, only water is being circulated.

**PRODUCT SPECIFICATIONS ARE SUBJECT TO CHANGE WITHOUT NOTICE.
USE INSTALLATION INSTRUCTIONS SUPPLIED WITH PRODUCT.**

Jacuzzi Whirlpool Bath has obtained applicable code (standards) listings generally available on a national basis for products of this type. It is the responsibility of the installer/owner to determine specific local code compliance prior to installation of the product. Jacuzzi Whirlpool Bath makes no representation or warranty regarding, and will not be responsible for any code compliance.

JACUZZI WHIRLPOOL BATH

Jacuzzi Whirlpool Bath National Headquarters
P.O. Drawer J, Walnut Creek, CA 94596 (925) 938-7070
Customer Service: Call (800) 288-4002

©1994 Jacuzzi Whirlpool Bath D884000 D 6/98



Printed on Recycled Paper

Printed in U.S.A.