

SHOWER TOWER/STEAM TOWER ENCLOSURE-Siena™, Merano™

INSTALLATION AND OPERATING MANUAL



Save These Instructions for Future Use

Owner's Record

Date Purchased _____

Purchased From _____

Installed By _____

Serial Number _____

Model _____

Important

The bathtub must be installed per installation instructions D884000 for the Merano™ or E160000 for the Siena™. Follow the instructions to ensure that proper framing has been provided to support the Shower or Steam Tower. Finishing materials must be waterproof and sealed so that spray and condensation do not cause moisture damage.

NOTE: The Shower or Steam Tower has been partially pre-assembled for your convenience during installation. The installer must still follow the instructions to ensure proper installation of the tower and components (see page 13). We recommend that two persons perform this installation.

Contents

Exploded View of Steam Tower _____	2
Tower Hardware Identification Chart _____	4
Tower Assembly _____	7
Water Lines to Mixer/Diverter Valve _____	10
Attaching Diverter Valve to Shower Wall _____	10
Tower Installation _____	12
Tower Disassembly _____	13
Placing Tower _____	14
Steam Head Drilling Template (Steam Tower Only) _____	15
Steam Head Installation _____	16
Fixed Panel Assembly _____	17-18
Mounting Top Ring and Wall Bracket to Tower _____	19-20
Sealing and Trimming _____	21-22
Attaching Face Plate _____	23
Handle Installation _____	23
Handle Operation _____	24
Steam Door _____	25-30
Steam Head Drilling Template (To be cutout) _____	31
Warranty _____	33-34

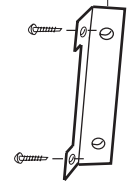
Tools Required

1. Drill.
2. Drill bits: 3/32", 1/8", 3/16" and 5/16".
3. Flat blade screw driver, No. 1.
4. Phillips type blade screw driver, No. 2.
5. 5/16" or 8 mm deep socket or nut driver.
6. Caulking gun.
7. Sealant (100% silicone).
8. Adjustable wrenches (small and medium).
9. Allen® wrenches: 1.5 mm, 2.5 mm, 3 mm and 5/64".
10. Step ladder.



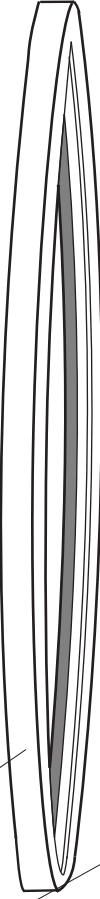
DOMES (STEAM TOWER)
SEE PAGE 30

BAILS
SEE PAGE 7



WALL BRACKET
SEE PAGE 19

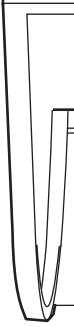
TOP RING
SEE PAGE 19



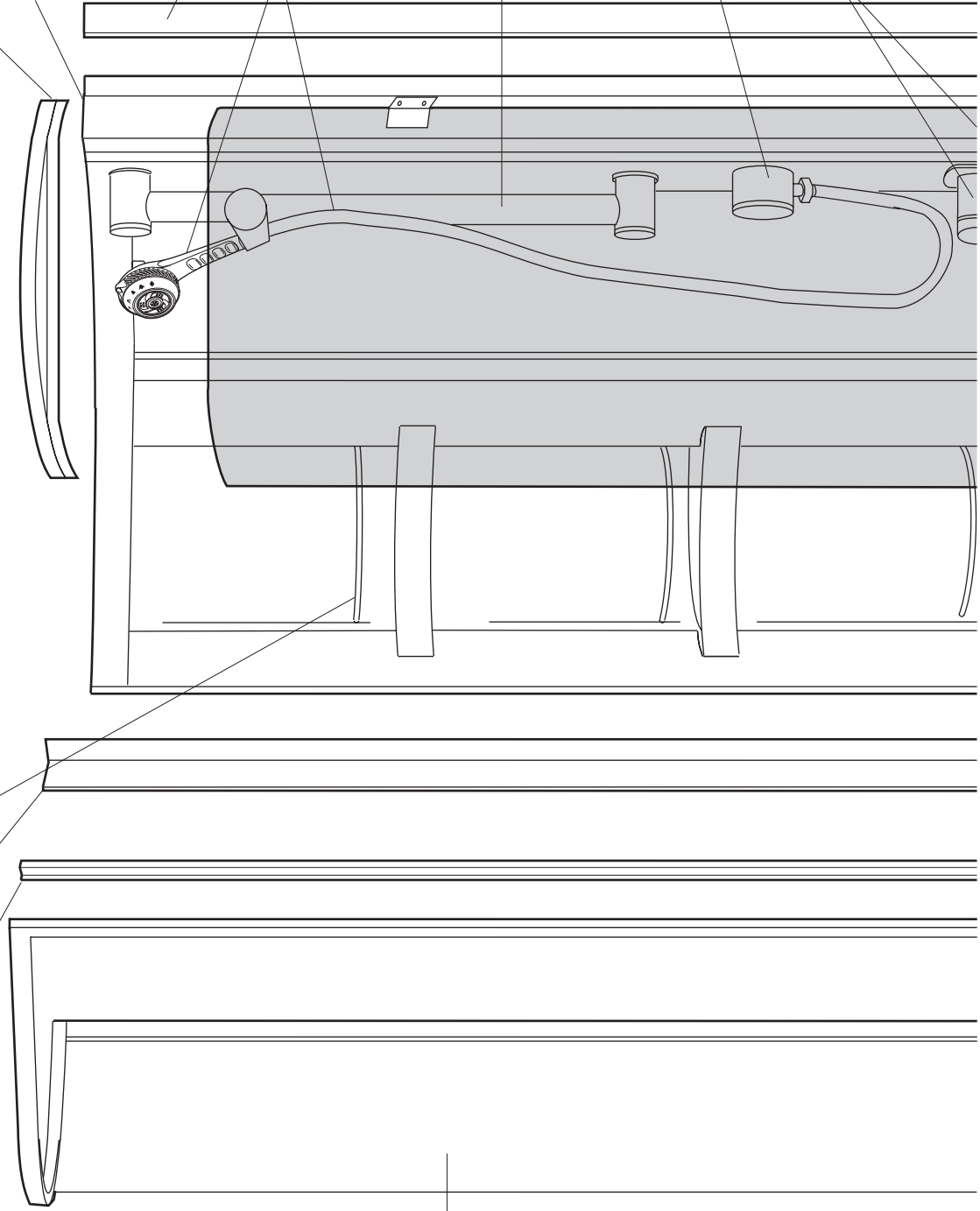
DOOR FILLER (STEAM TOWER)
SEE PAGE 29

L EXTRUSION (STEAM TOWER)
SEE PAGE 27

END EXTRUSION
SEE PAGE 21



TOWER
SEE PAGE 14



F EXTRUSION
SEE PAGE 21

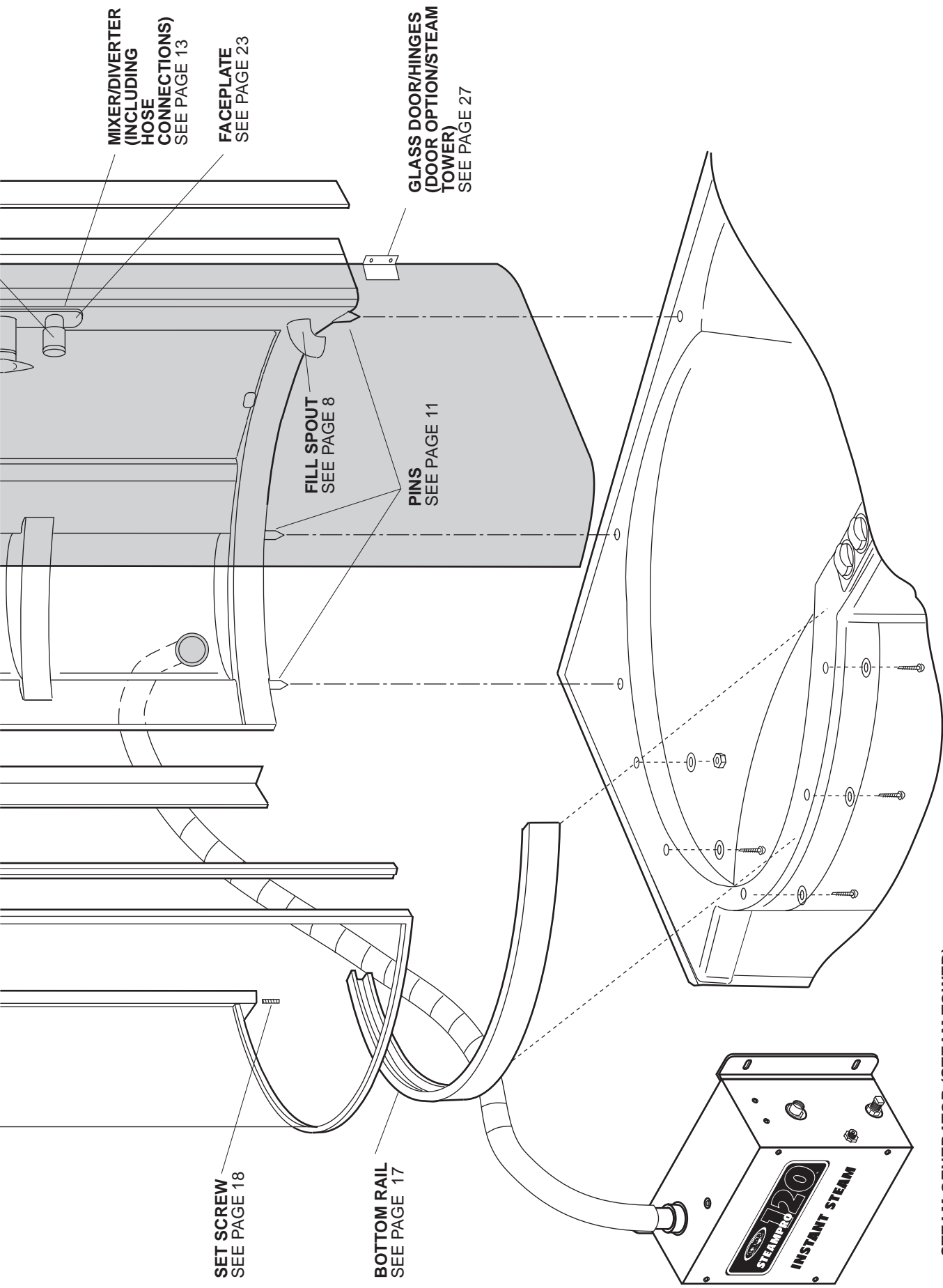
HAND HELD SHOWER, FLEX HOSE
SEE PAGE 24

WALLBAR
SEE PAGE 9

WATER INLET
SEE PAGE 8

HANDLE
SEE PAGE 23

FIXED GLASS PANEL
SEE PAGE 17

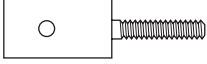




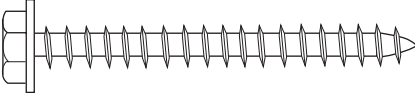

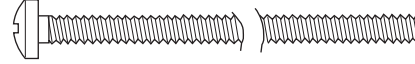

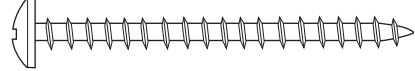


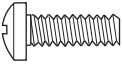
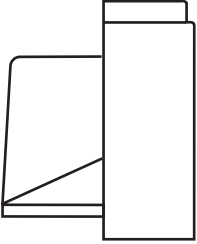


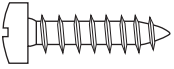
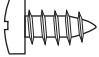


EXPLODED VIEW OF STEAM TOWER

Shower Tower Hardware Identification Chart

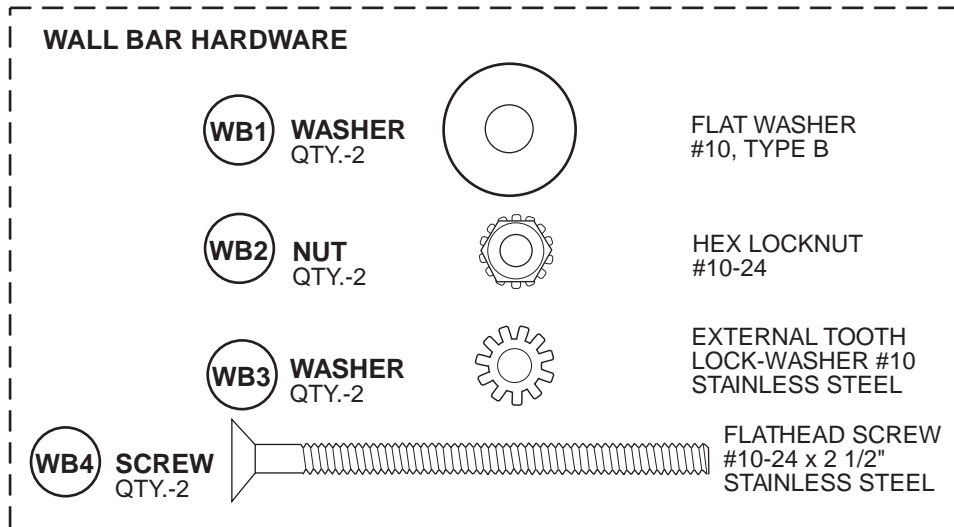
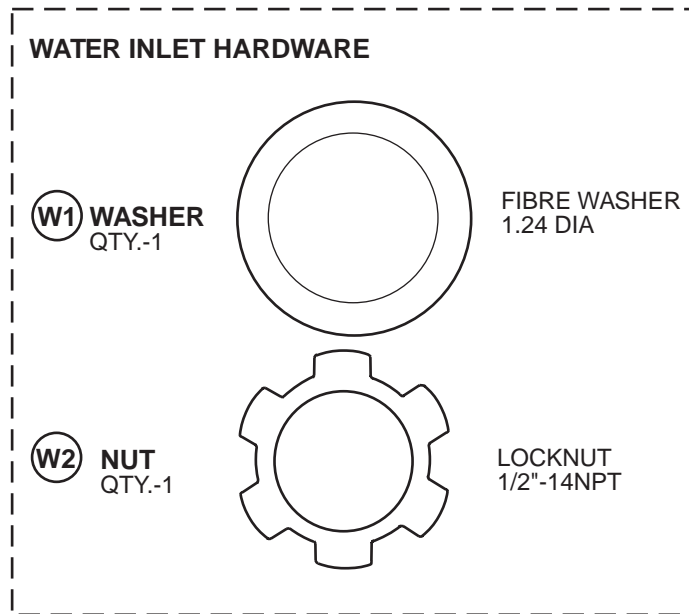
The diagrams for these fasteners are shown actual size for fast identification.

HARDWARE

H1	BOLT QTY.-6		SLOT FASTENER 10 X32	H10	COVER QTY.-6		SCREW COVER
H2	NUT QTY.-6		HEX NUT 10 x 32	H11	WASHER QTY.-2		FLAT WASHER #10 TYPE A STAINLESS STEEL
H3	SCREW QTY.-6		SET SCREW 6 x 32	H12	SCREW QTY.-2		SHEET METAL SCREW #10-16X 2" S.S.
WB3	WASHER QTY.-6		EXTERNAL TOOTH LOCK-WASHER #10 STAINLESS STEEL	H13	SCREW QTY.-3		PAN HEAD PHILLIPS #8-32 x 3"
H4	PIN QTY.-3		PIN #8-32 .25DIA X 1"	H14	SCREW QTY.-1		SHEET METAL SCREW #8-18X 2" S.S.
H5	WASHER QTY.-10		FLAT WASHER #8 TYPE B STAINLESS STEEL	H15	WASHER QTY.-4		EXTERNAL TOOTH LOCK-WASHER #8 STAINLESS STEEL
H6	SCREW QTY.-3		PAN HEAD SCREW #8-32 x 1/2" STAINLESS STEEL	H16	CAP QTY.-1		LOWER TRACK END CAP (SHOWER TOWER ONLY)
H7	NUT QTY.-1		HEX LOCKNUT #8-32	H17	SCREW QTY.-1		SET SCREW #8-32 x 1 1/2"
H8	SCREW QTY.-7		M4.2X19MM STAINLESS STEEL				
H9	SCREW QTY.-11		M3.5X9.5MM STAINLESS STEEL				

Shower Tower Hardware Identification Chart

The diagrams for these fasteners are shown actual size for fast identification.



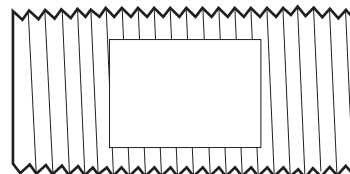
Shower Tower Hardware Identification Chart

The diagrams for these fasteners are shown actual size for fast identification.

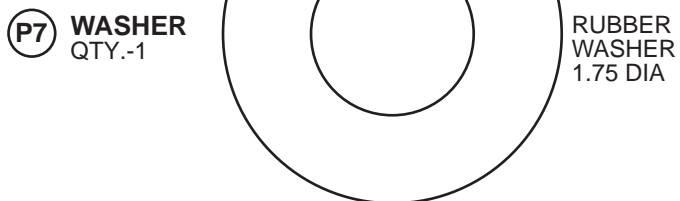
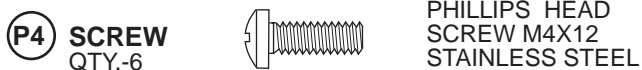
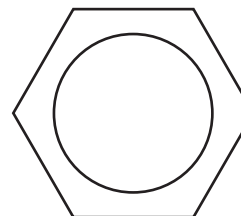
PLUMBING HARDWARE



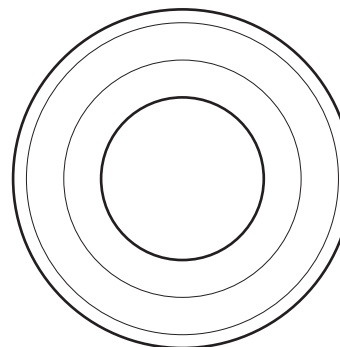
P5 NIPPLE
QTY.-1



P6 LOCKNUT
QTY.-1

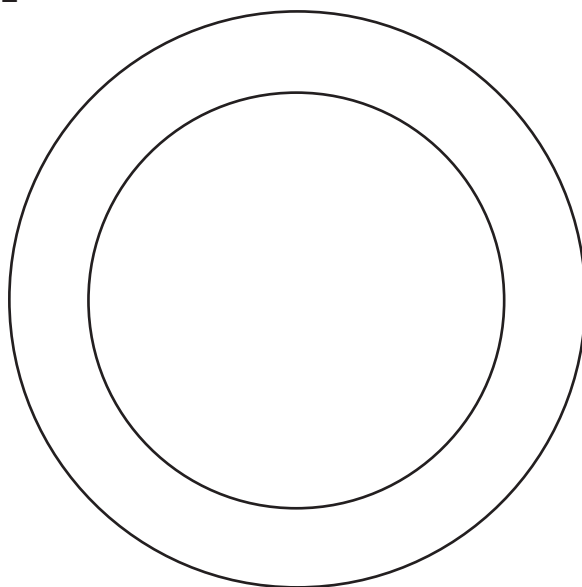


P8
COMPRESSION
RING
QTY.-1



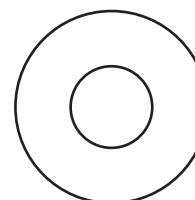
MIXER HARDWARE

M1 GASKET
QTY.-1



FOAM GASKET 3" O.D.

M2
GASKET
QTY.-1



FOAM GASKET
1" O.D.

TOWER ASSEMBLY

1. Assemble the three (3) bails to the tower wall.
Do not overtighten the nuts on the threaded shaft end. Overtightening may break the stud.

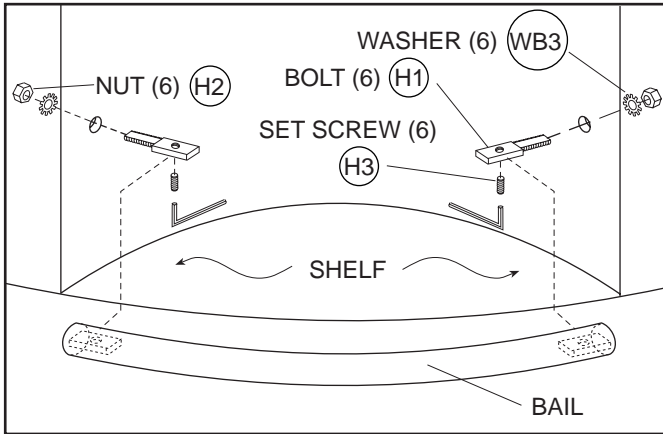
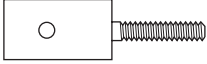





ILLUSTRATION 1

(H1)	BOLT QTY.-6		SLOT FASTENER 10 X32
(H2)	NUT QTY.-6		HEX NUT 10 x 32
(H3)	SCREW QTY.-6		SET SCREW 6 x 32
(WB3)	WASHER QTY.-6		EXTERNAL TOOTH LOCK-WASHER #10 STAINLESS STEEL

2. Attach the water inlet and fill spout to the tower wall. (See Illustration 2 and 2a.)

WATER INLET

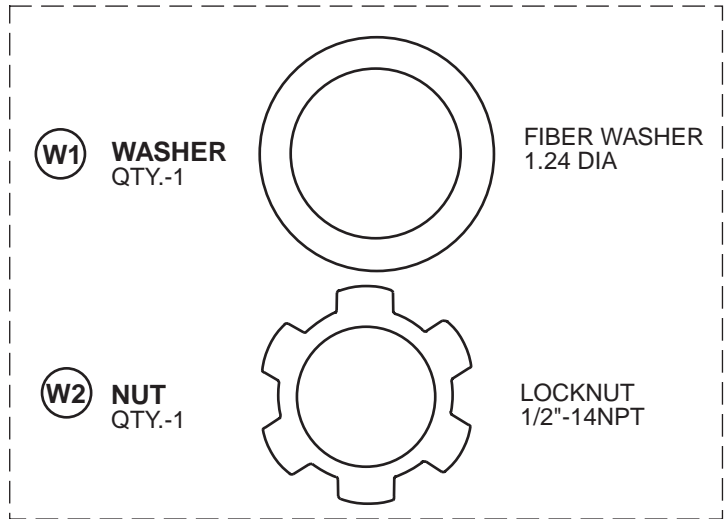
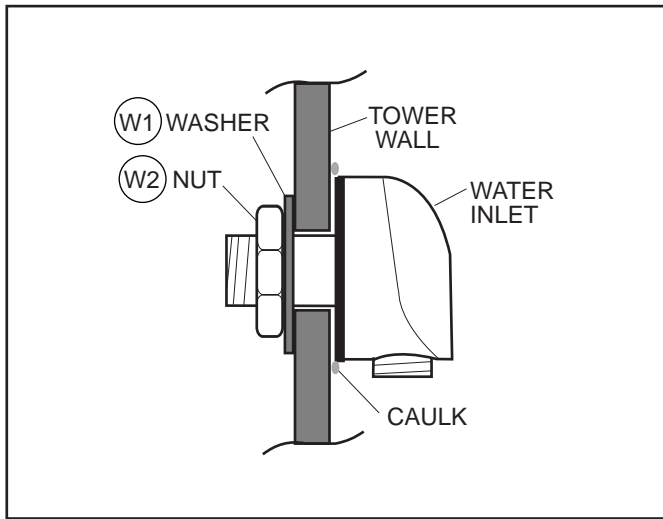


ILLUSTRATION 2

FILL SPOUT

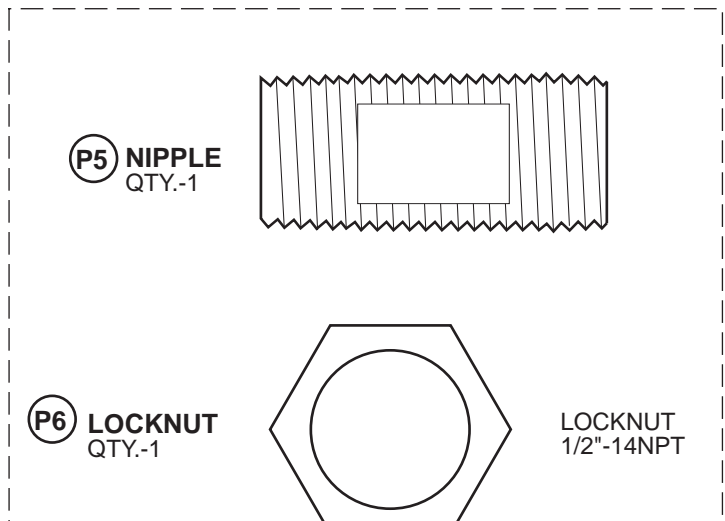
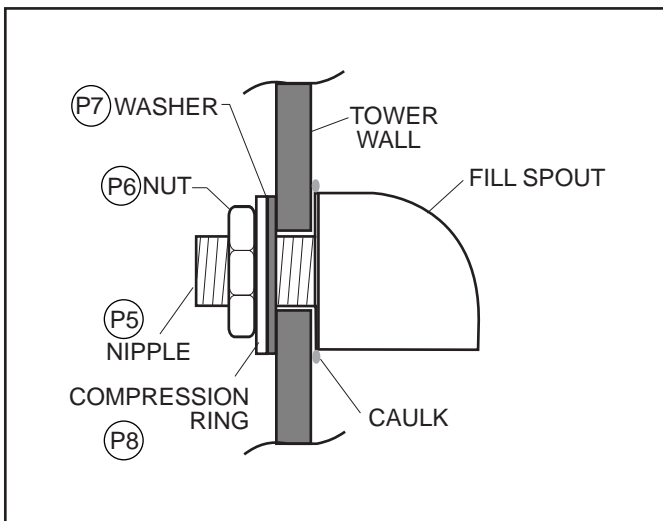
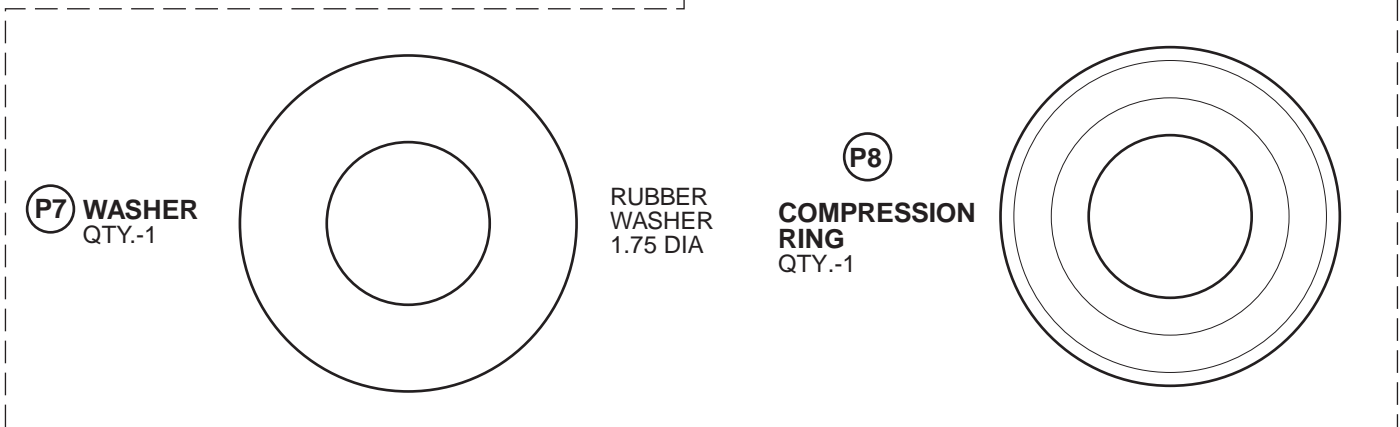


ILLUSTRATION 2a



3. Attach the wallbar assembly to the tower wall.
(See Illustration 3.)

WALL BAR

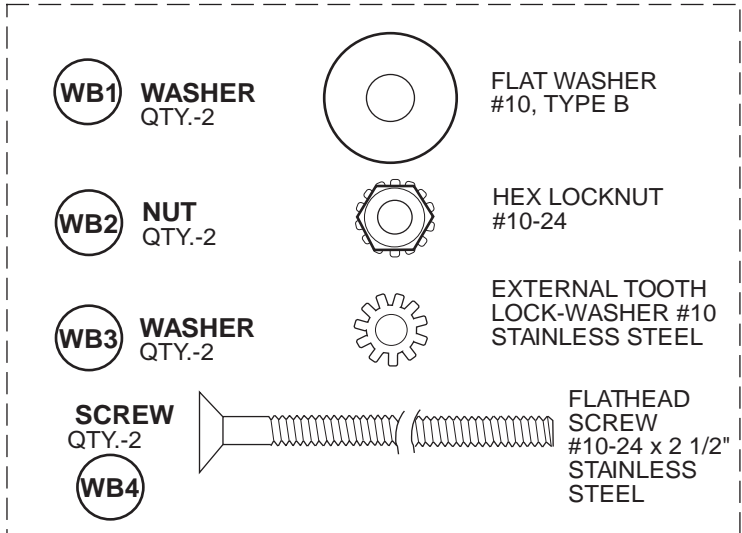
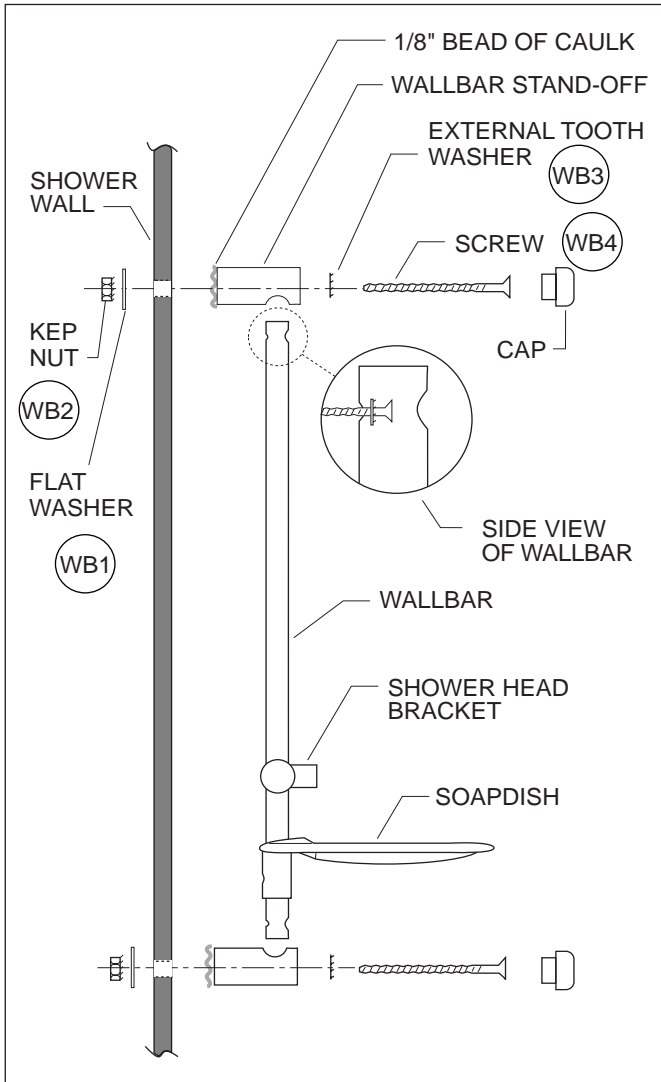


ILLUSTRATION 3

WATER LINES TO MIXER/DIVERTER VALVE

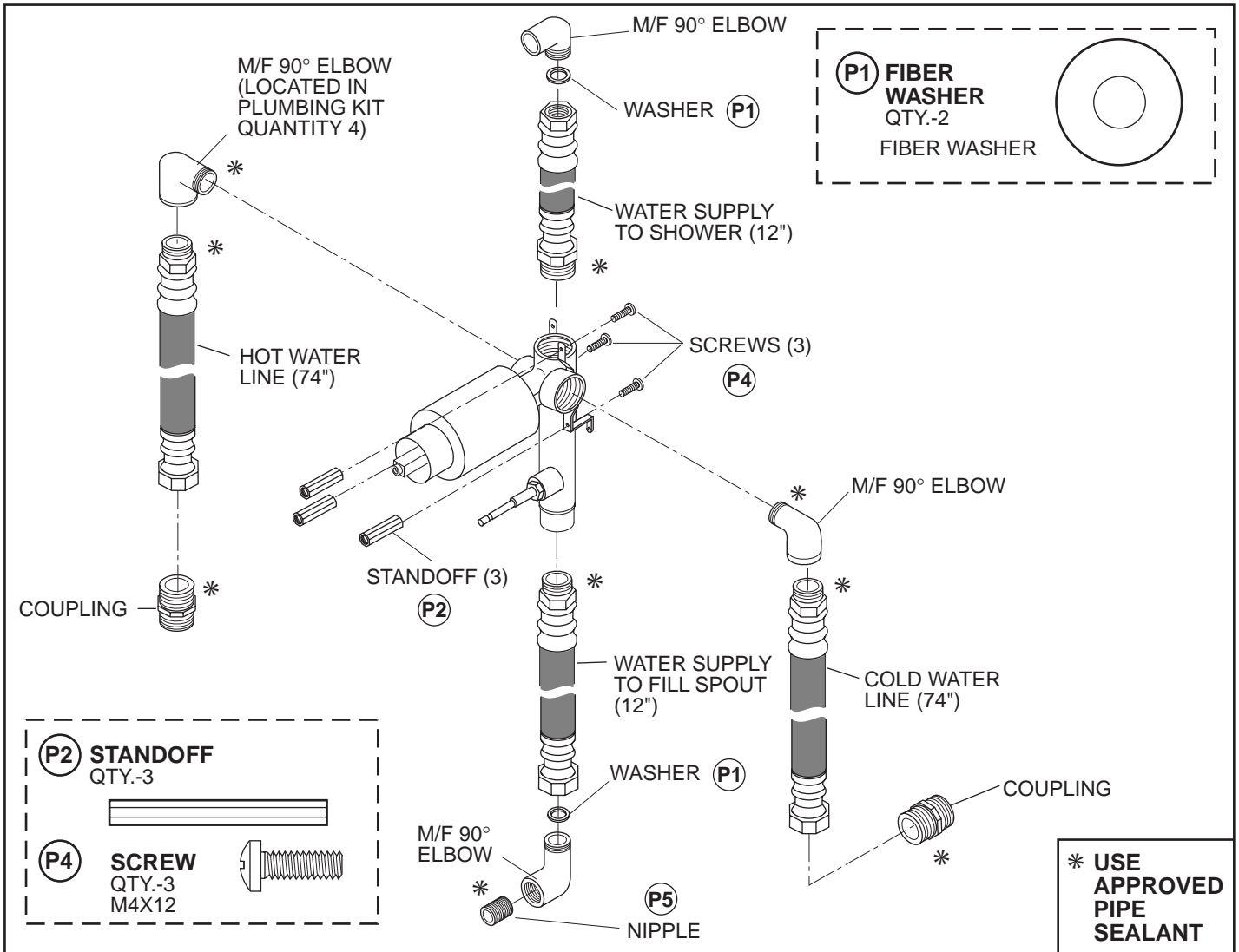


ILLUSTRATION 4

ATTACHING DIVERTER VALVE TO SHOWER WALL

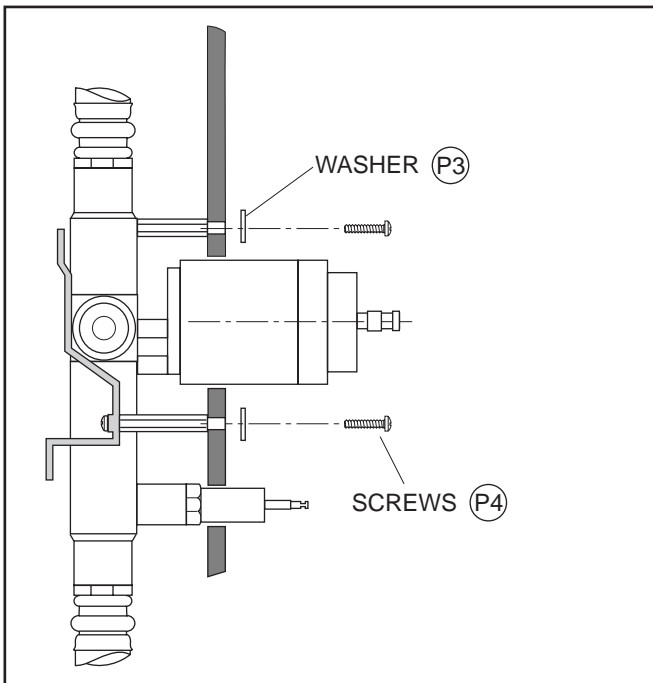
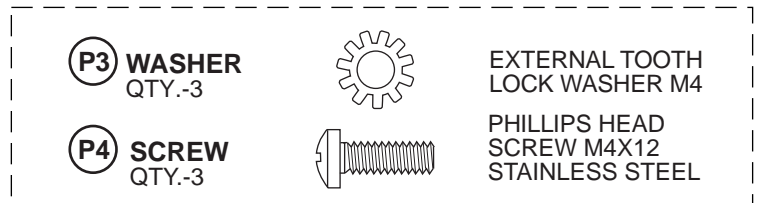


ILLUSTRATION 5

4. Attach the Hot/Cold water lines, shower line, and fill spout line to the mixer/diverter valve. (Use an approved pipe sealant on threads.) Attach standoffs to the mixer/diverter valve. (See Illustration 4.)
5. Attach the mixer/diverter valve to the shower wall. (See Illustration 5.)



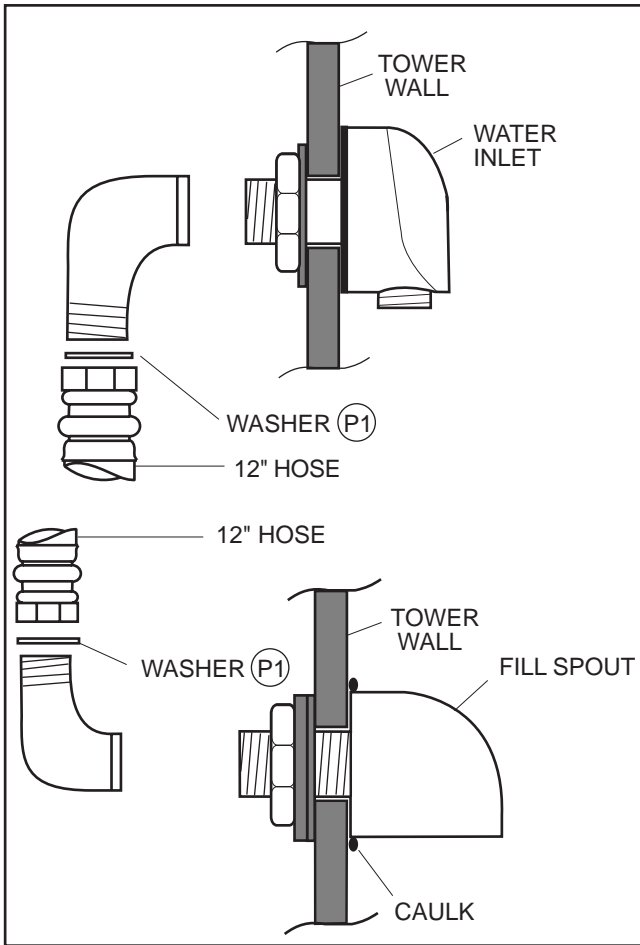


ILLUSTRATION 6

TOWER PINS

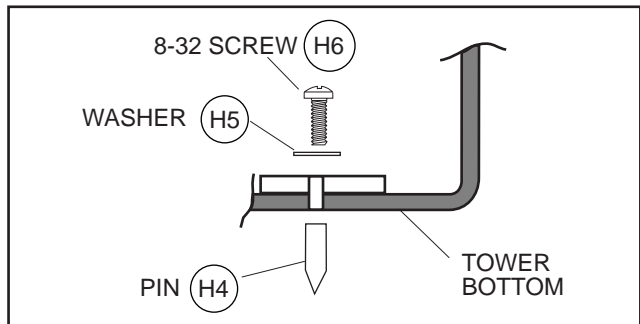


ILLUSTRATION 7

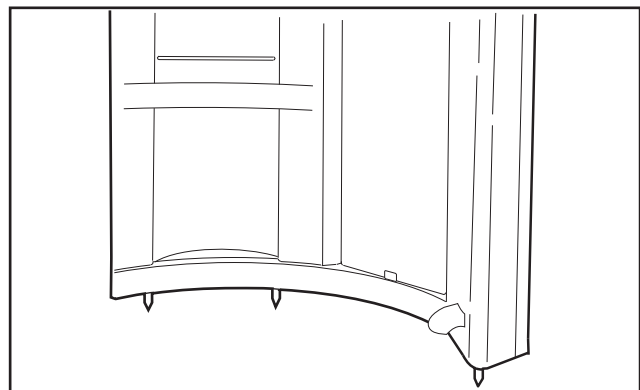
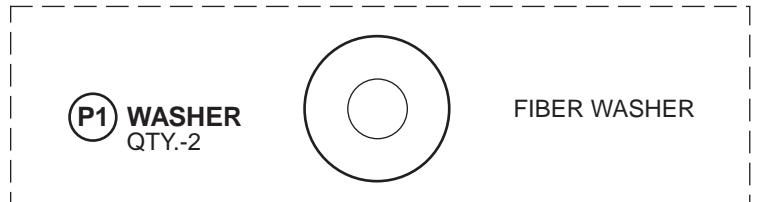


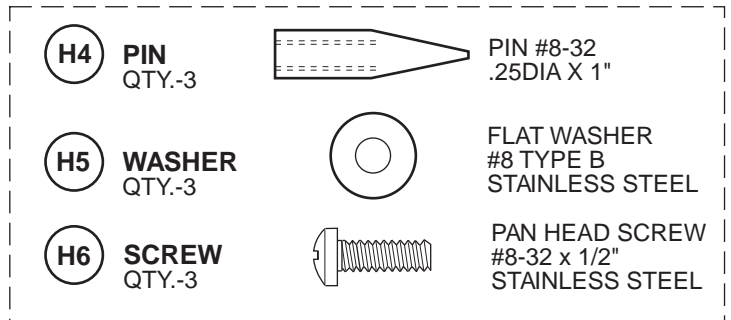
ILLUSTRATION 8

6. Attach the shower line to the water inlet and the fill spout line to the fill spout. (See Illustration 6.)



7. Attach the three (3) pins to the bottom of the tower. (See Illustrations 7 and 8.)

LOCATED IN HARDWARE KIT



8. After these steps are completed, set the tower aside.

TOWER INSTALLATION

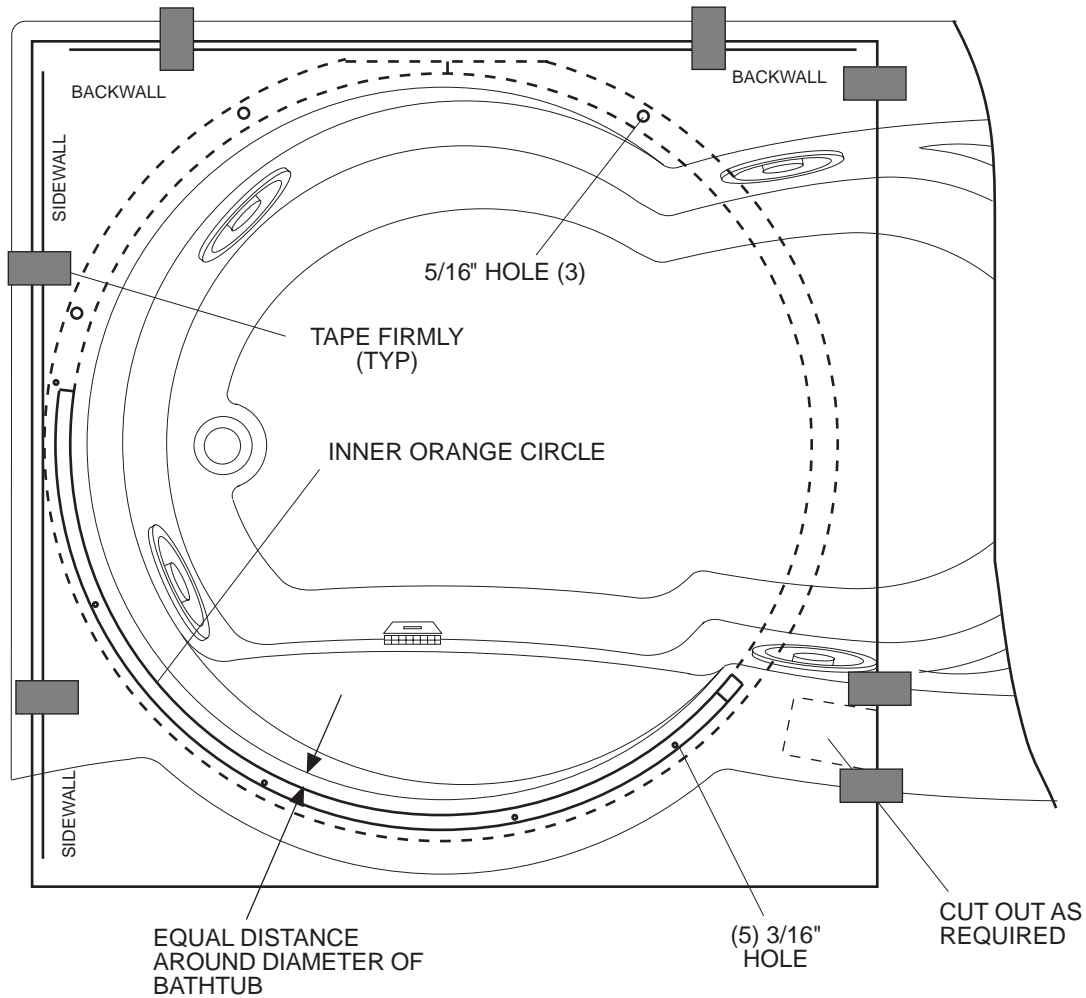


ILLUSTRATION 9 (LEFT HAND SHOWN)

1. Locate the drilling template. Place it over the bathtub. The inner orange circle must be centered over the circular opening of the bathtub. (See Illustration 9.) Be sure the orange circle is spaced an equal distance around the bath cavity. The line marked back wall and side wall must be parallel with each wall. Make sure that the template lies flat. Using a sharp center punch, lightly tap through the template hole center location marks onto the bath surface. Remove the template.
2. Drill three (3) 5/16" diameter holes for the tower and (5) 3/16" holes for the bottom rail.

IMPORTANT: THE HOLES MUST BE DRILLED AS ACCURATELY AS POSSIBLE TO INSURE PROPER INSTALLATION AND OPERATION OF THE SHOWER DOOR.

DISASSEMBLY INSTRUCTIONS

Although the J-Shower Tower is shipped partially assembled, **it will have to be partially disassembled** to install. After removing packing materials, follow the instructions below.

1. Remove end cap on the lower track. (Shower Tower only. Page 22, illustration 26.)
2. Remove the top ring. (Page 19, illustration 21.)
3. Remove the fixed panel with bottom rail. (Page 17, illustration 14 .)
4. It is not necessary to remove rails or wall bar. Water connections will have to be removed to apply sealant.

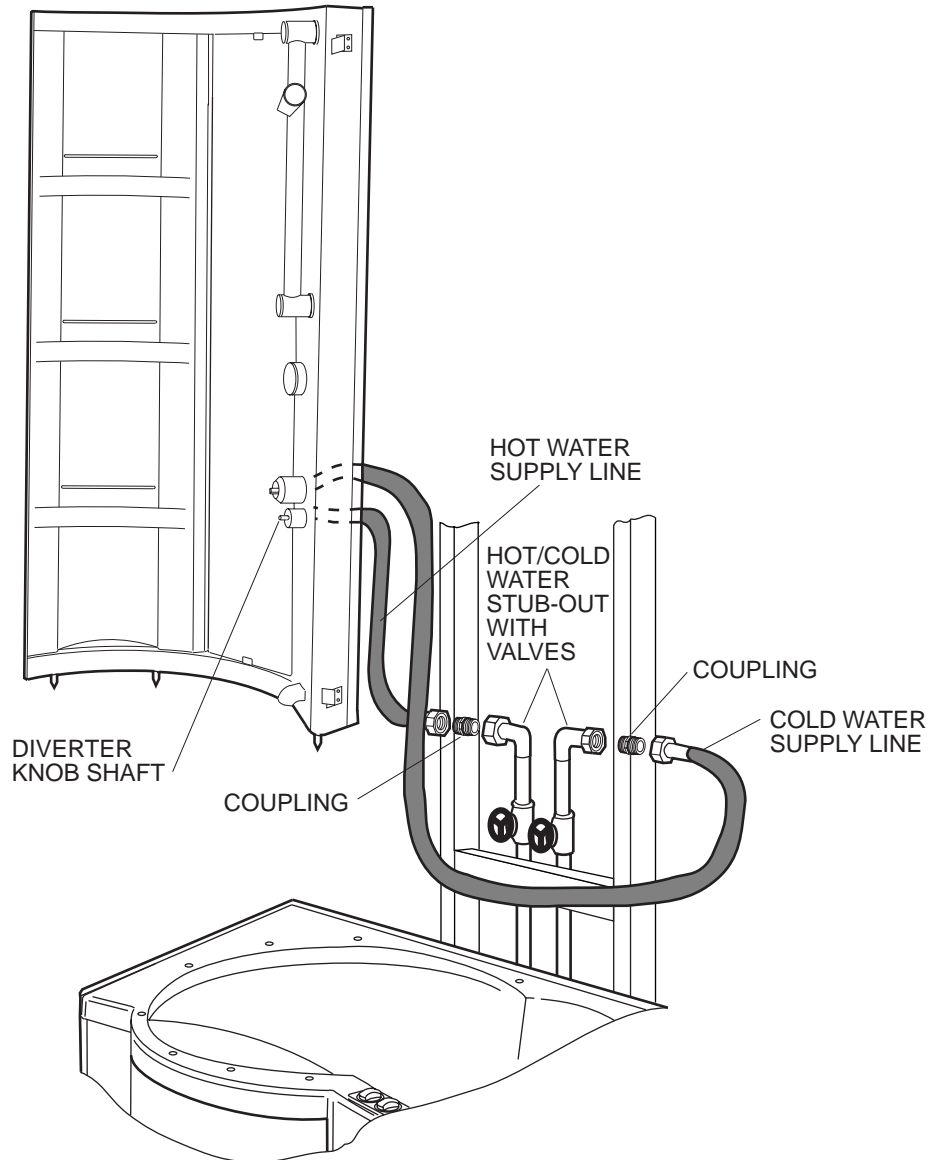


ILLUSTRATION 10

3. Attach Hot and Cold water supply lines of the mixer/diverter to the stub-out supply lines. (See Illustration 10.)
4. Locate the on/off handle and temporarily place it on the mixer valve. (See Illustration 26.) With the mixer/diverter valve in the OFF position, turn on the water supply. Check for leaks at all connectors. Turn on the water to the fill spout and check for leaks. Push the diverter knob shaft in and check for leaks at the shower line. Seal any leaks and continue.

PLACING TOWER

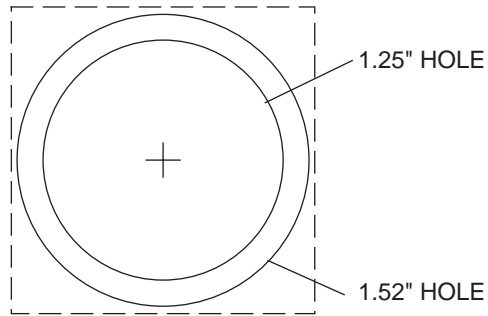


ILLUSTRATION 11

5. Dry fit tower pins into holes to check hole location. Apply sealant around the three tower wall holes on the bath and around the perimeter where the tower will set. (See Illustration 11.)
6. Place the tower pins in the holes and push the tower down firmly. The tower will stand temporarily on its own. Clean off excess sealant.

FOR STEAM TOWER ONLY

7. A template is provided for drilling a hole to install steam head. Cut out the template (**LOCATED ON PAGE 31**) and locate in lower shelf pocket. Make sure the two circles are laying completely on the flat surface in the pocket as shown below. Locate as low as possible without riding on the radius. Tape in place and drill the 1.25" hole using a 1/16" pilot hole first.



TEMPLATE

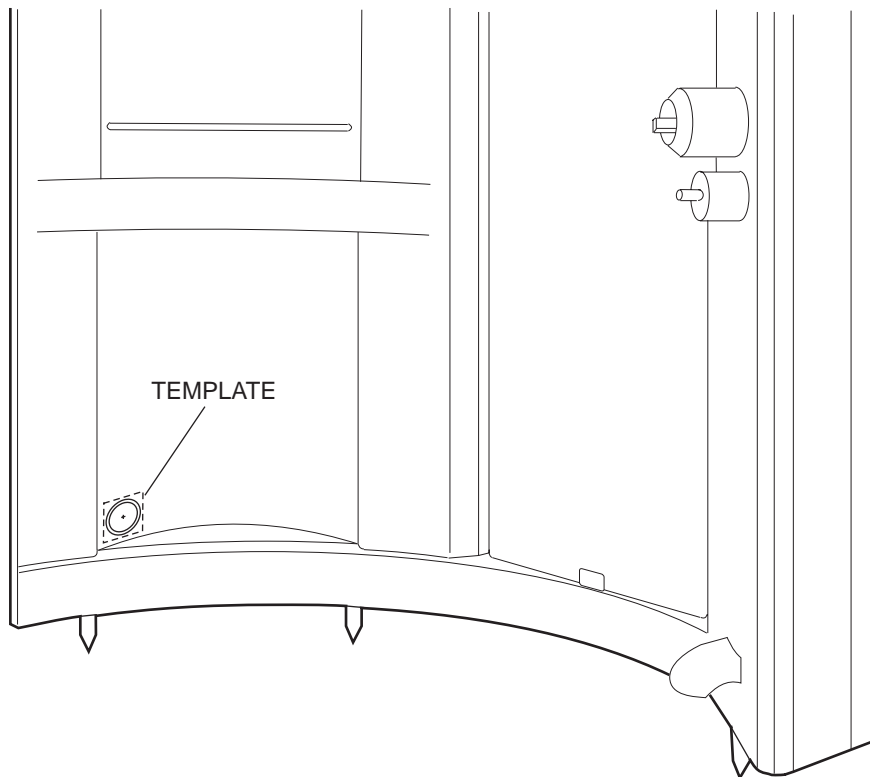


ILLUSTRATION 12

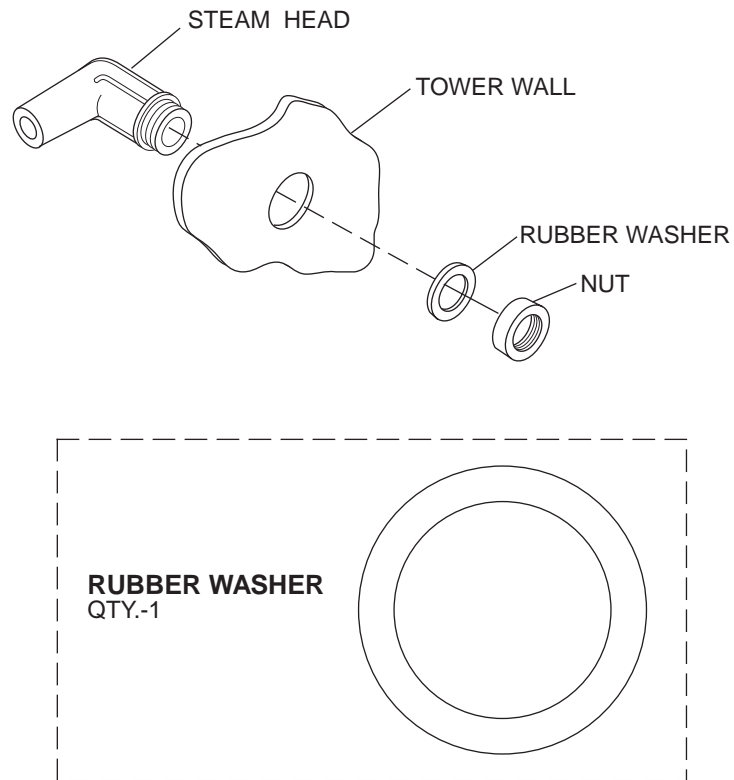


ILLUSTRATION 13
(Steam Tower Only)

8. For steam head of the SteamPro 120, secure steam head in hole on tower located in bottom shelf. For SteamPro 120 installation, follow the instructions provided with that unit. Instructions also provided for actuator assembly and installation.

FIXED PANEL TO BOTTOM RAIL

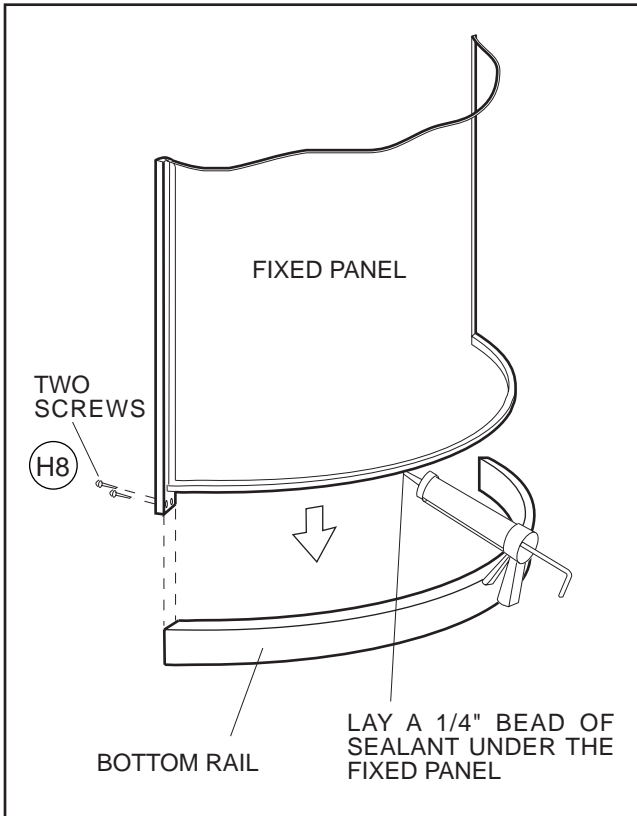
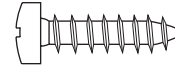


ILLUSTRATION 14

LOCATED IN HARDWARE KIT

H8 SCREW
QTY.-2



M4.2X19MM
STAINLESS STEEL

DRILLING FIXED PANEL

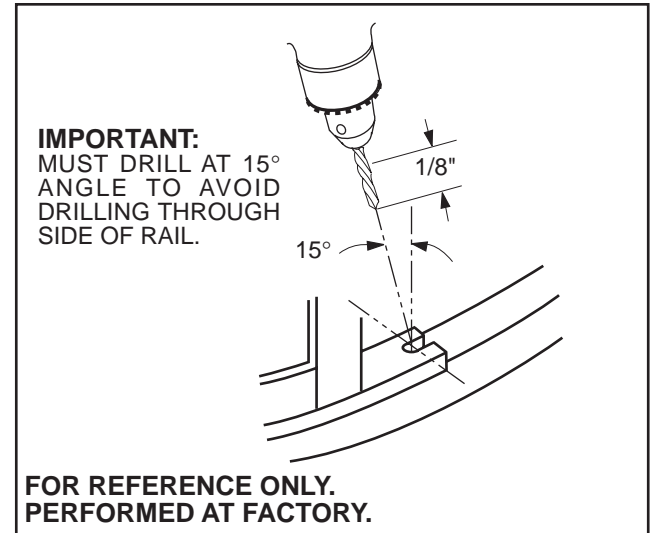


ILLUSTRATION 15

DRILLING FIXED PANEL

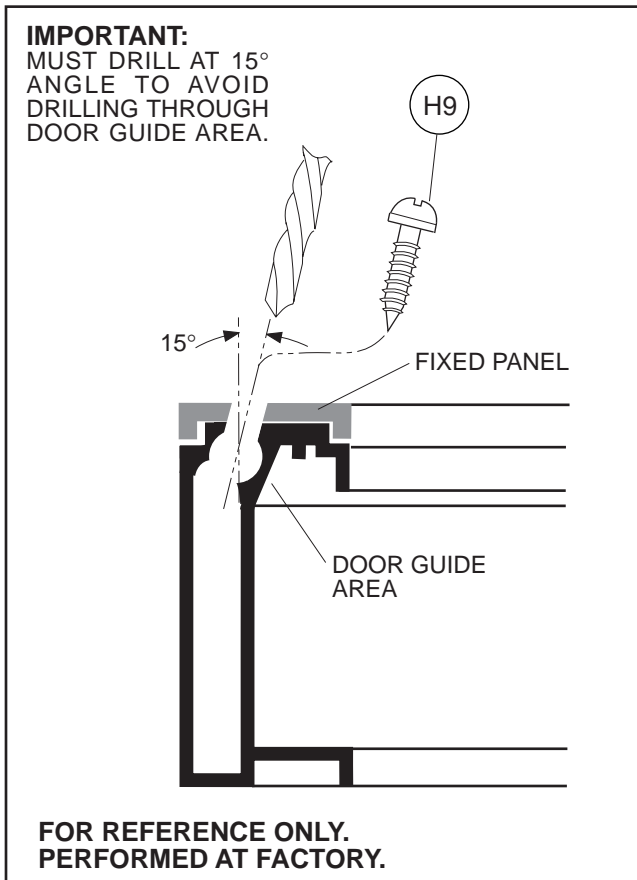
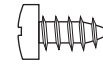


ILLUSTRATION 16

LOCATED IN HARDWARE KIT

H9 SCREW
QTY.-1



M3.5X9.5MM
STAINLESS STEEL

9. Locate the bottom rail and the fixed panel. Lay a bead of sealant on the bottom of the fixed panel. Secure the bottom rail to the fixed panel. (See Illustration 14.) [For Reference Only. Steps Performed at Factory. Drill a 3/32" diameter hole into the bottom rail at about 15°. Drill only through the first aluminum thickness. (See Illustration 15.) Secure the front of the fixed panel to the bottom rail. (See Illustration 16.)] Clean off excess sealant.

FIXED PANEL ASSEMBLY TO BATH

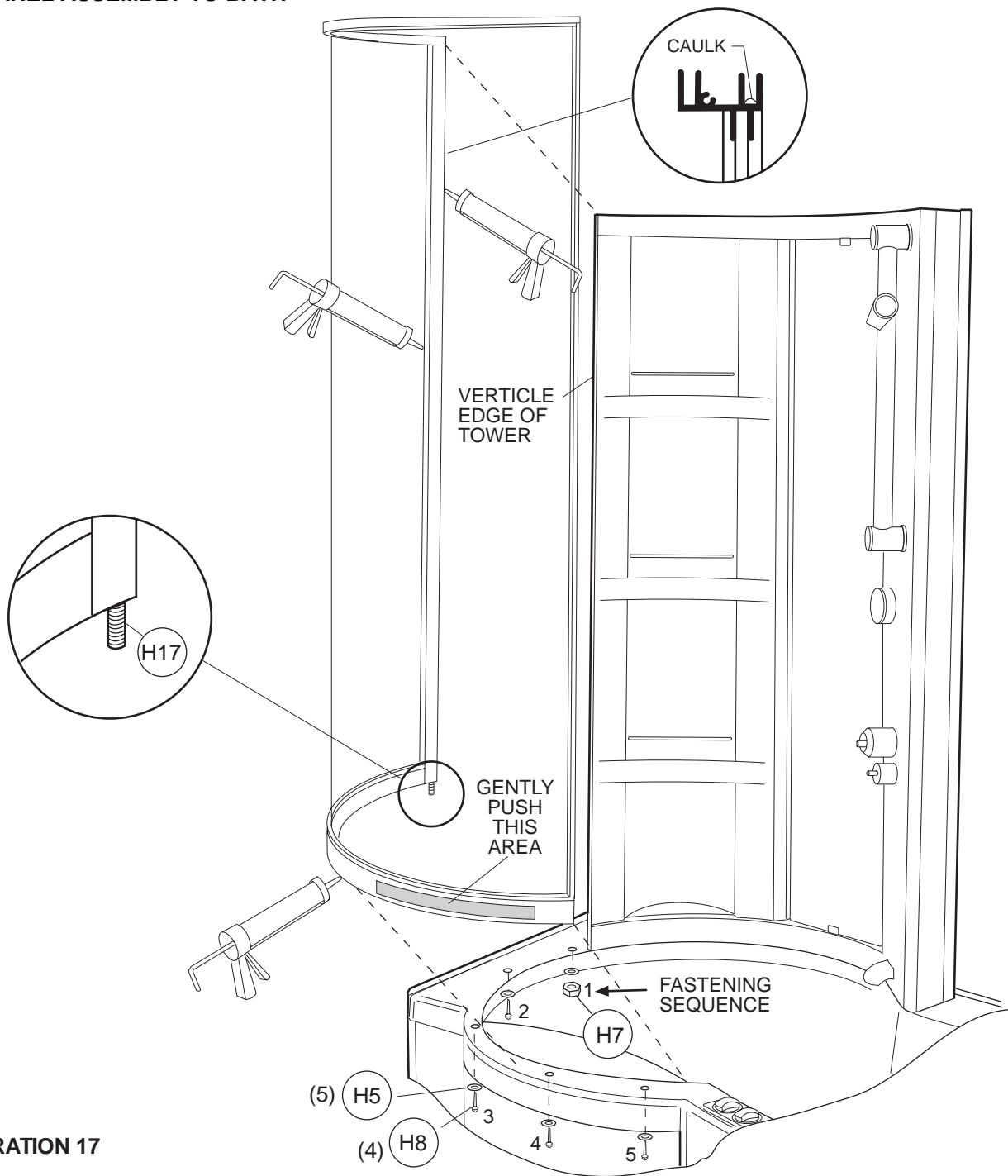

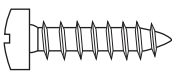

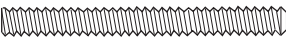


ILLUSTRATION 17

LOCATED IN HARDWARE KIT

H5	WASHER QTY.-5		FLAT WASHER #8 TYPE B STAINLESS STEEL	H8	SCREW QTY.-4		M4.2X19MM STAINLESS STEEL
H7	NUT QTY.-1		HEX LOCKNUT #8-32	H17	SCREW QTY.-1		SET SCREW #8-32 x 1 1/2"

10. Screw 1-1/2" Allen set screw 3/4" deep into the bottom of the fixed panel. Lay a 1/4" bead of sealant under the bottom rail and inside the vertical frame. Place the assembly against the vertical edge of the tower and onto the bath surface. (See Illustration 17.) Secure the assembly to the bath using one (1) nut and washer and four (4) screws and washers following the fastening sequence. **Gently** push on the shaded portion of the bottom rail (see Illustration 17) to align with the holes in the bath shell. After installing the fixed panel, apply sealant along **all three inside** edges of the glass frame. Clean up excess sealant.

RING TOP PLANE MARK

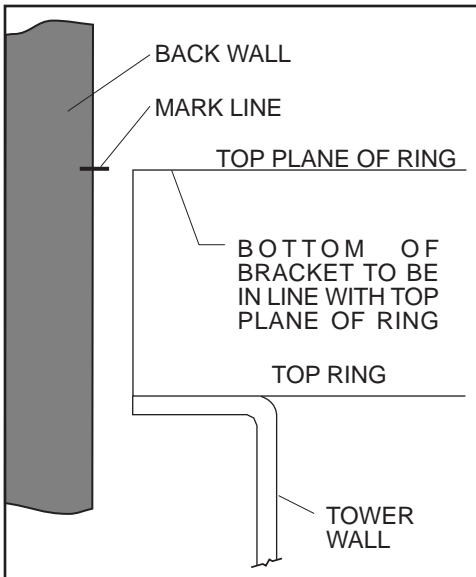


ILLUSTRATION 19

BRACKET TO WALL

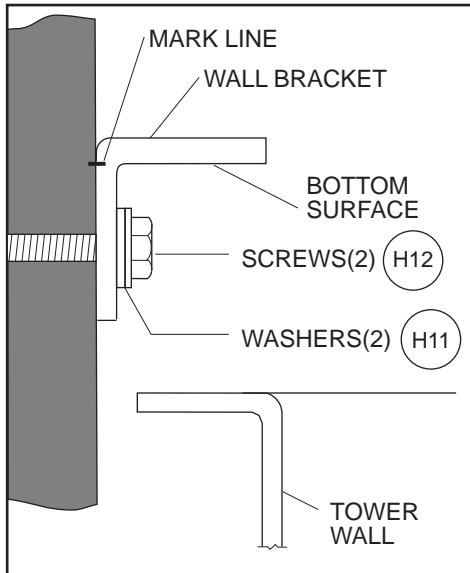


ILLUSTRATION 20

RING TO TOWER

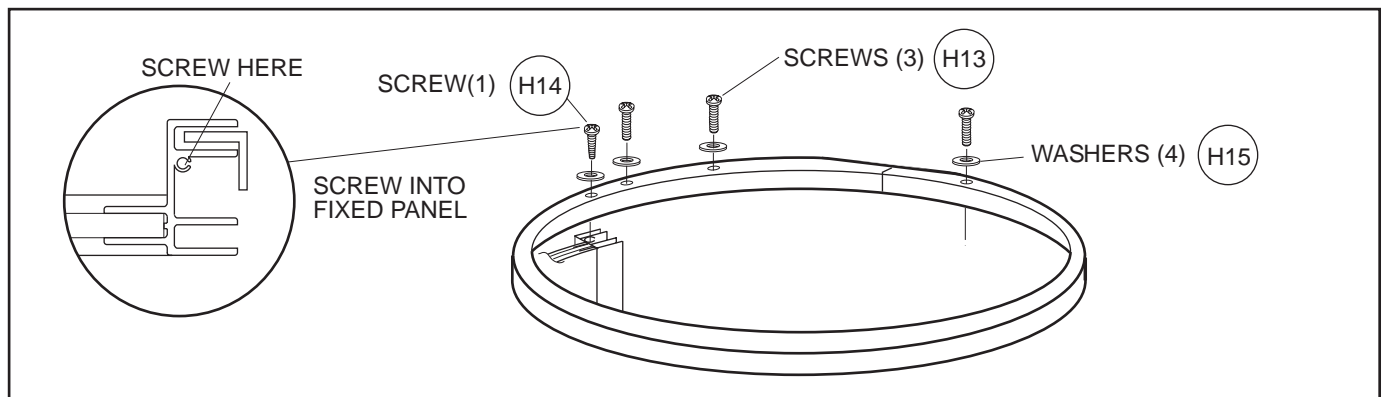


ILLUSTRATION 21

11. Locate the top ring. Remove the plastic retainer extrusion and set it aside. Place the top ring on the fixed panel and tower wall. The top ring groove on the underside of the top ring must mate with the top of the fixed panel. The flat portion of the ring should be parallel with the back wall. (See Illustration 18.) Mark a line on the back wall indicating the top plane of the ring. (See Illustration 19.) Remove the ring. Locate the wall bracket and secure it to the back wall. The bottom surface of the bracket must be in line with the top ring line previously marked. (See Illustration 20.)
12. Place the top ring on the tower and fixed panel. Align the four holes in the top ring with the three tower holes and fixed panel. (See Illustration 21.) Secure the top ring to the tower.

BRACKET LOCATING

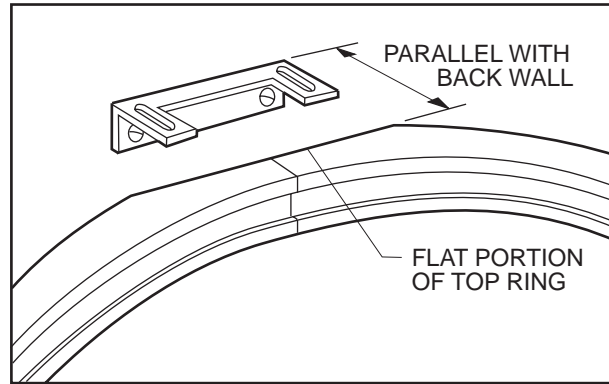


ILLUSTRATION 18

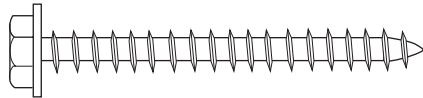
LOCATED IN HARDWARE KIT

H11 WASHER
QTY.-2



FLAT WASHER
#10 TYPE A
STAINLESS STEEL

H12 SCREW
QTY.-2



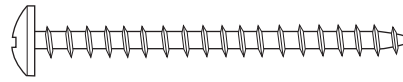
SHEET METAL
SCREW
#10-16X 2" S.S.

H13 SCREW
QTY.-3



PAN HEAD
PHILLIPS
#8-32 x 3"

H14 SCREW
QTY.-1



SHEET METAL
SCREW
#8-18X 2" S.S.

H15 WASHER
QTY.-4



EXTERNAL TOOTH
LOCK-WASHER #8
STAINLESS STEEL

DRILLING TOP RING

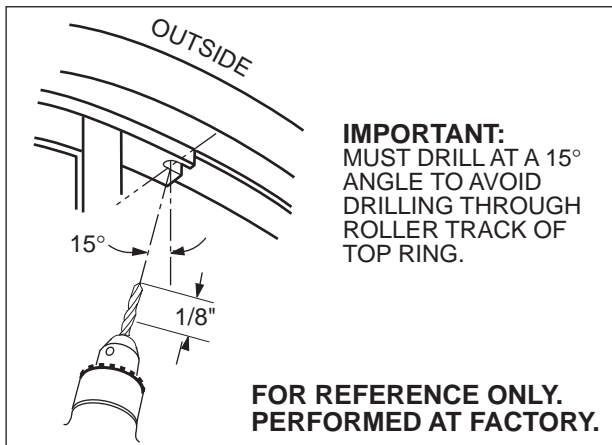


ILLUSTRATION 22

DRILLING TOP RING

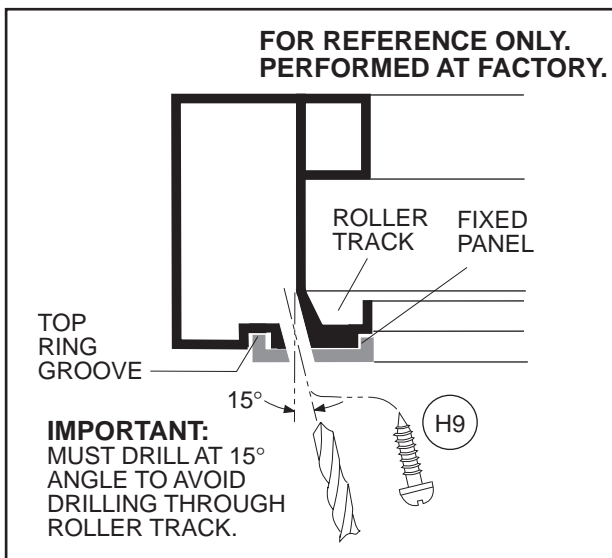


ILLUSTRATION 23

RING TO BRACKET

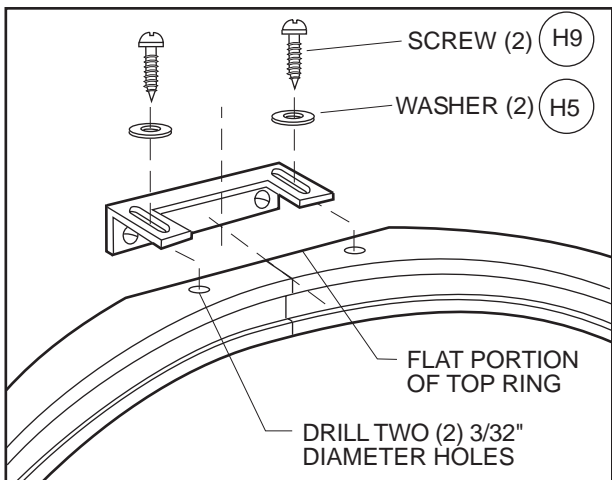
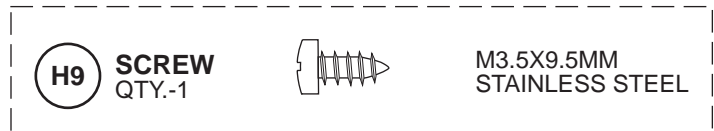


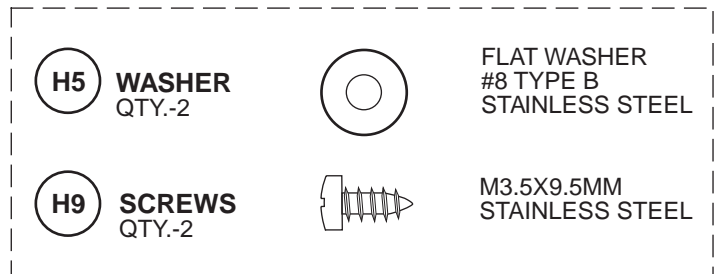
ILLUSTRATION 24

13. [For Reference Only. Performed at Factory. Drill a 3/32" diameter hole into the top ring at about 15°. (See Illustration 22.)] Engage the top of the fixed panel with the top ring groove. Secure the top of the fixed panel to the top ring. (See Illustration 23.)



14. [For Reference Only. Performed at Factory. Plumb and square the tower. Mark a point through each slot of the wall bracket. Drill two (2) 3/32" diameter holes in the top ring through the slots of the bracket. (See Illustrations 24.)] Secure the top ring to the wall bracket.

LOCATED IN HARDWARE KIT



FIXED GLASS FRAME ATTACHMENT

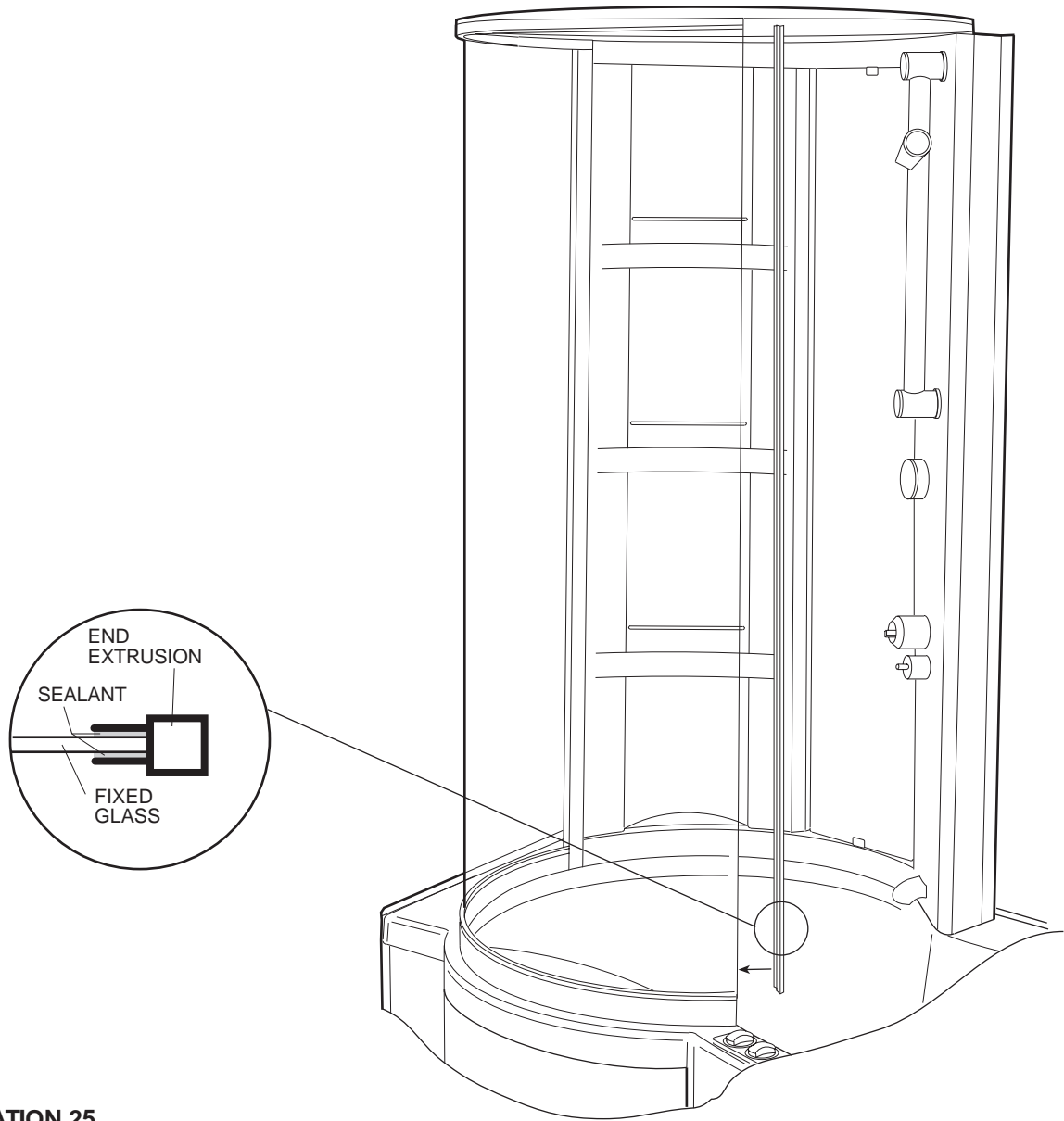
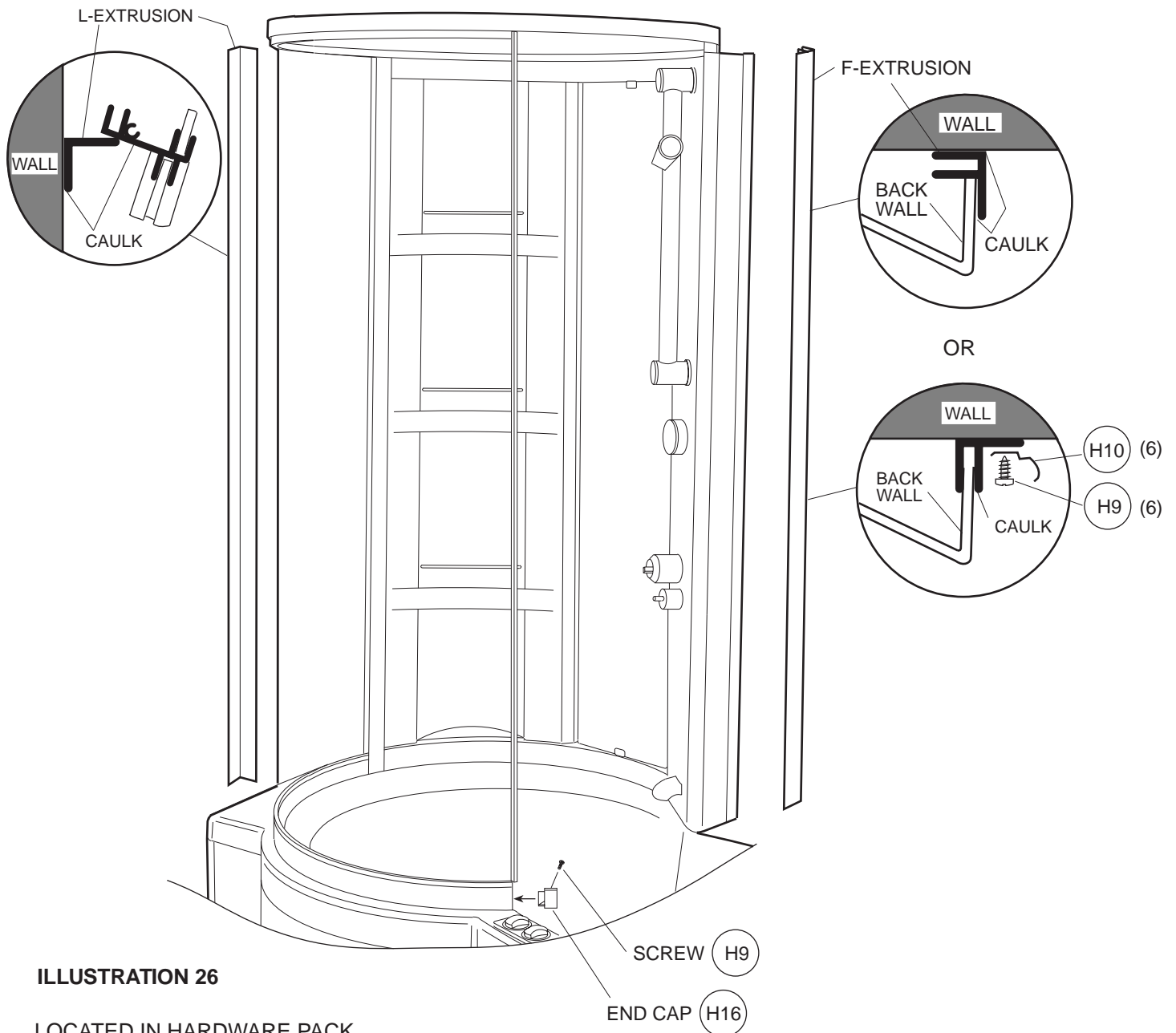


ILLUSTRATION 25

15. Apply sealant in frame and extrusion. Align and place extrusion onto the end of fixed glass.



(H9) SCREW QTY.-7		M3.5X9.5MM STAINLESS STEEL
(H10) COVER QTY.-6		SCREW COVER

(H16) CAP QTY. -1	
(SHOWER TOWER ONLY)	

16. Install on the sides of the tower the aluminum extrusions provided. They may be sealed in place or secured with screws. Shower Tower Only: seal the end cap and place into the end of the lower track and secure with self tapping screw. (See Illustration 26.)

17. Assemble the face plate as shown in Illustration 27. Assemble the handle as shown in Illustration 28 (See handle instructions in handle kit).

ATTACHING FACE PLATE

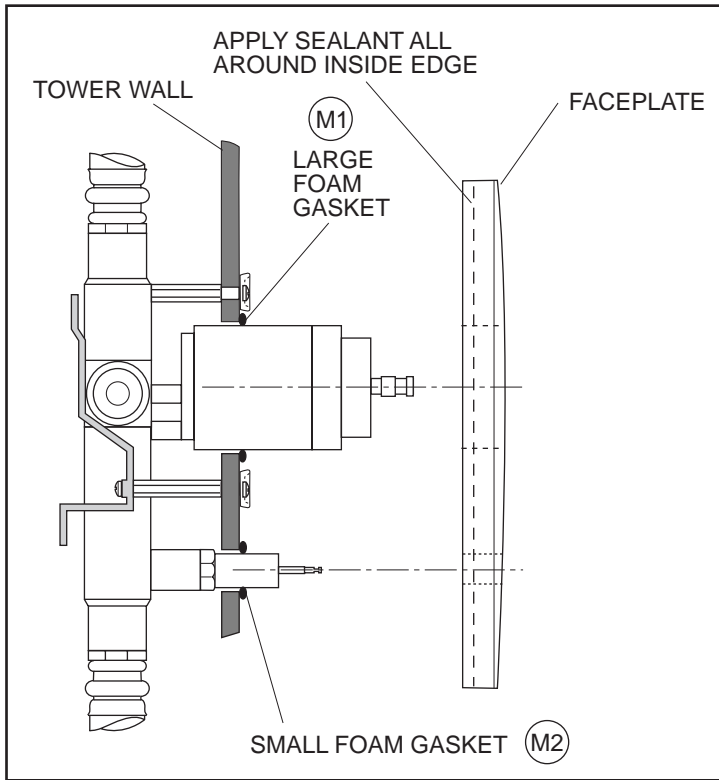


ILLUSTRATION 27

HANDLE INSTALLATION

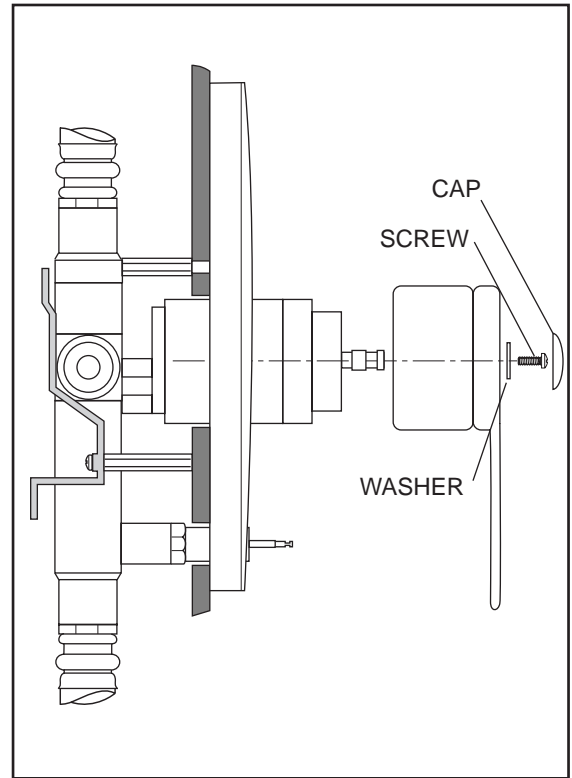
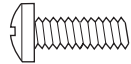
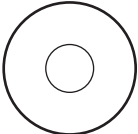



ILLUSTRATION 28

LOCATED IN HARDWARE KIT

(M1)	GASKET QTY.-1	(NOT SHOWN SEE PAGE 6)	FOAM GASKET 3"O.D.
(M2)	GASKET QTY.-1	(NOT SHOWN SEE PAGE 6)	FOAM GASKET 1"O.D.

LOCATED IN HANDLE KIT

SCREW QTY.-1		SCREW #10-24
WASHER QTY.-1		FLAT WASHER #10
CAP QTY.-1		

18. Attach the shower hose. (See Illustration 29.)
Use the washer supplied with the shower hose.

SHOWER HOSE

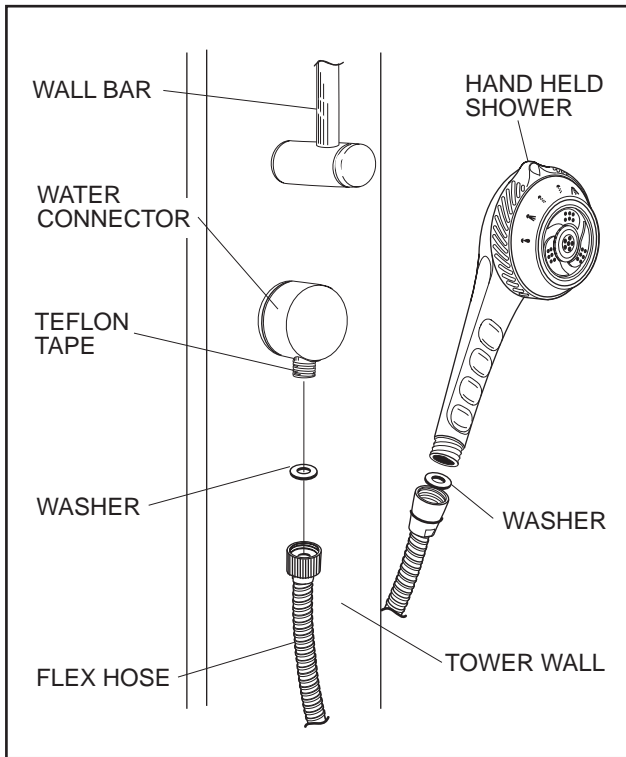


ILLUSTRATION 29

19. For hot and cold operation of the handle, see Illustration 30.

HANDLE OPERATION

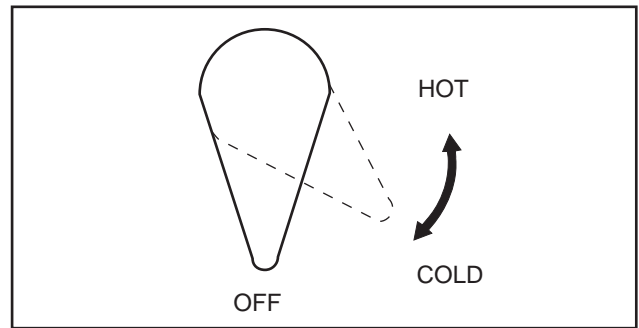
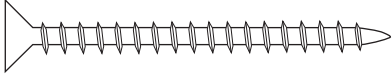
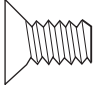


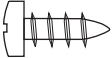
ILLUSTRATION 30

Optional Door/Steam Tower Hardware Identification Chart


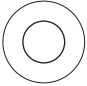
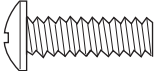
HINGE KIT

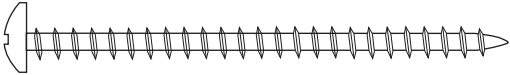
SCREW QTY.-8		WOOD SCREW 2" S.S.
SCREW QTY.-4		STAINLESS STEEL 7/16"

DOOR HARDWARE KIT

SCREW QTY.-5		M3.5X19MM STAINLESS STEEL
------------------------	-----------------------------------------------------------------------------------	------------------------------

TOP FILLER PIECE KIT

NUT QTY.-3		1/4-20 NYLON
WASHER QTY.-3		1/4 NYLON
SCREW QTY.-3		1/4-20 NYLON

SCREW QTY.-1		SELF-DRILLING SCREW #8 x 2-1/2"
------------------------	-------------------------------------------------------------------------------------	------------------------------------

Glass Door Attachment (Optional Door or Steam Tower)

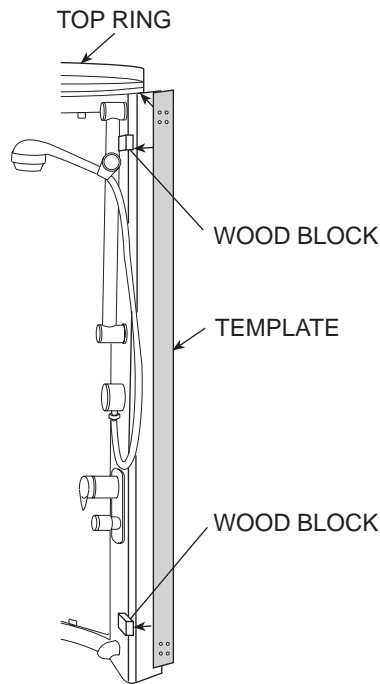


ILLUSTRATION 31

20. Use template to drill holes for hinges: place wood blocks (not provided) on flat area of tower (accessories mounted on this flat) and butt template against wood and top ring. While template is in position, use a sharp center punch to mark hole positions onto tower wall. Remove template and drill 8-5/32" (0.15") holes.

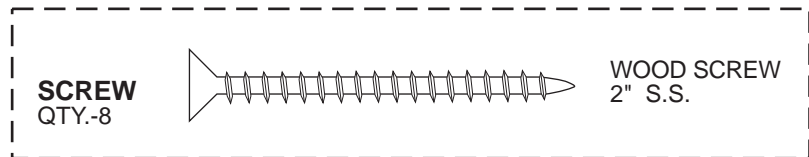
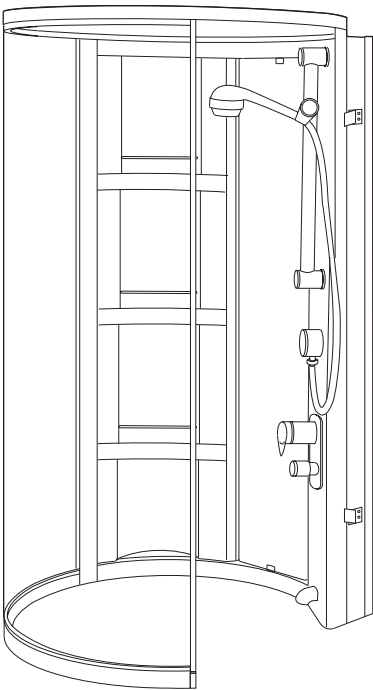


ILLUSTRATION 32

21. Attach hinges to tower wall with wood screws. Screws on hinge plate face inside.

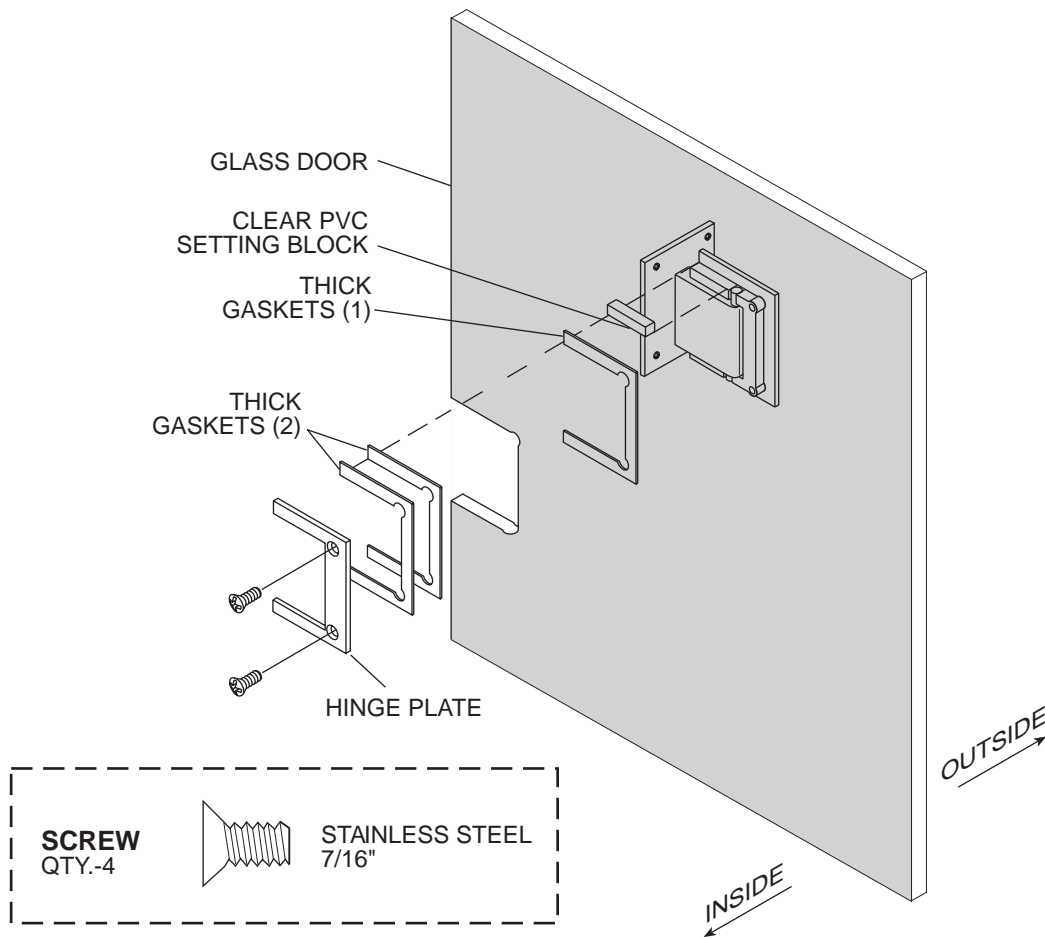


ILLUSTRATION 33

22. Remove both hinge cover screws (4). Place 1 thick hinge gasket on each hinge and a setting block on top side of each hinge. Cut clear setting block to an appropriate thickness such that the door glass rests completely on the blocks. Place door in hinge on top of setting block. Then place the remaining two thick gaskets on each hinge. Reattach hinge covers. (Make sure door does not interfere with hinge back plate when opening and closing.)

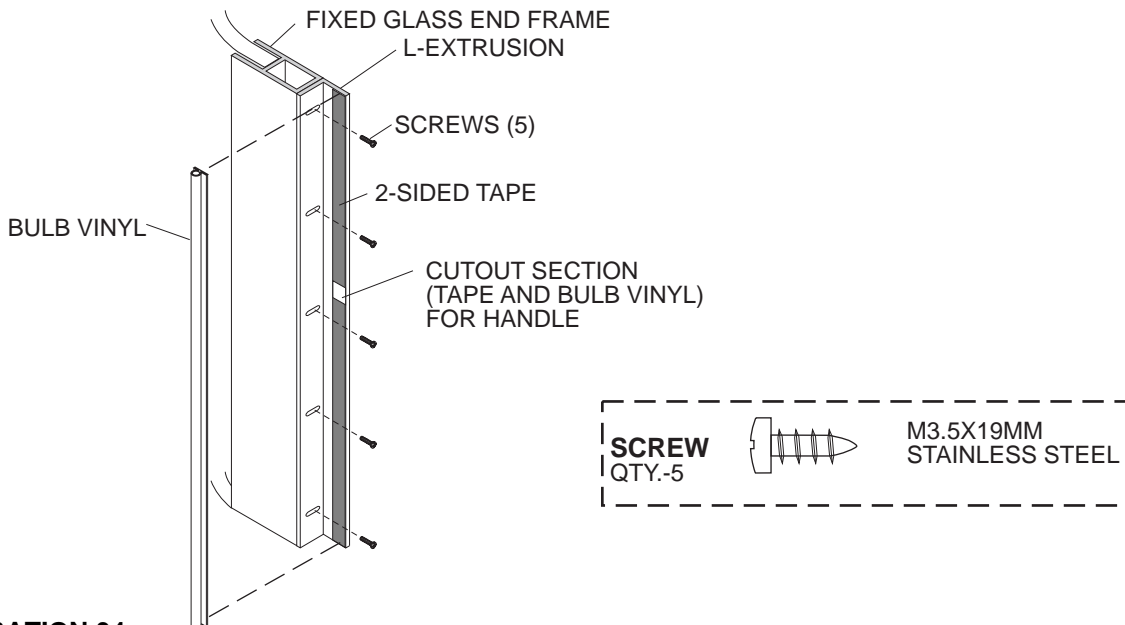


ILLUSTRATION 34

23. Cut bulb vinyl to length of L-extrusion. Apply 2-sided tape. Place bulb vinyl over tape and press firmly. Remove a section for handle (do not mount handle in same location as screws). Line up L-extrusion to the frame of the fixed glass and door glass. Drill five 3/32" holes through the slots into the fixed glass extrusion. Secure L-extrusion with screws. Adjust L-extrusion within the slots as needed to align with door.

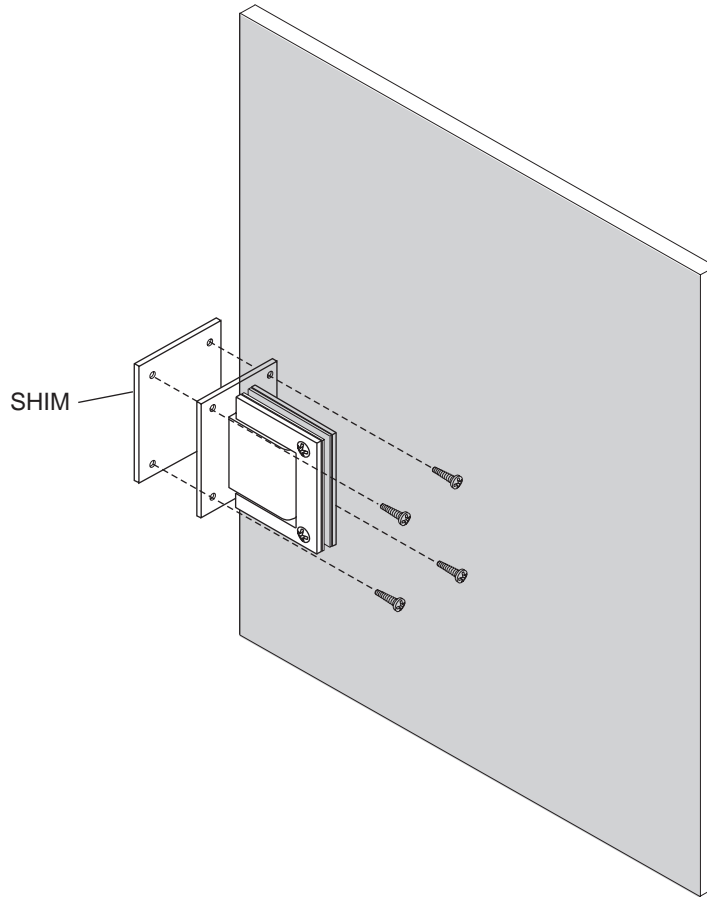


ILLUSTRATION 35

24. For alignment of the door glass, it may be necessary to either make glass adjustments within the hinge or use the 1/16" shim (provided).

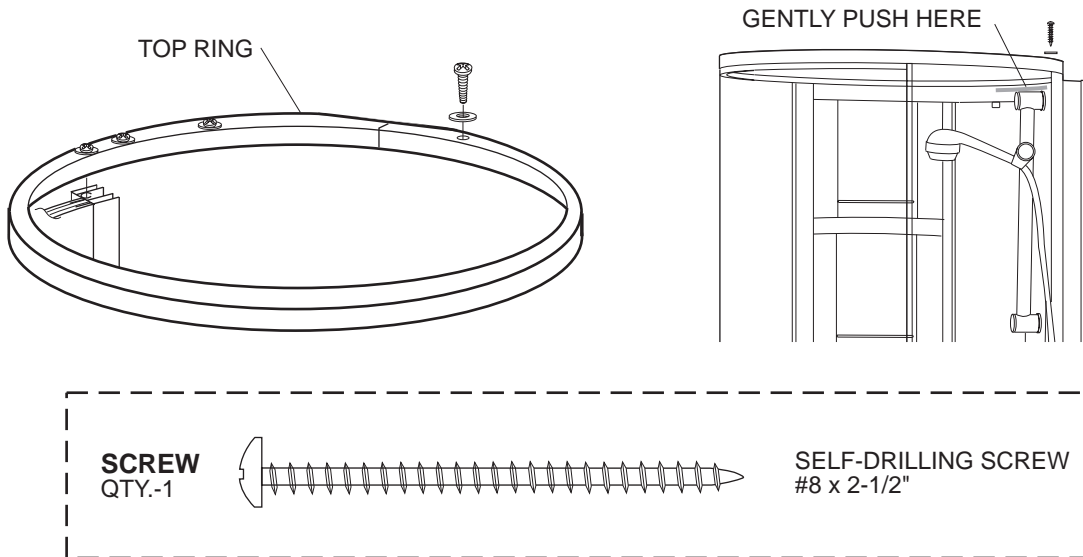


ILLUSTRATION 36

24A. It may also be necessary to remove the outer screw from the top ring. While gently pushing the top of the tower wall until the door aligns, screw the self-drilling screw into the top ring and through the tower wall.

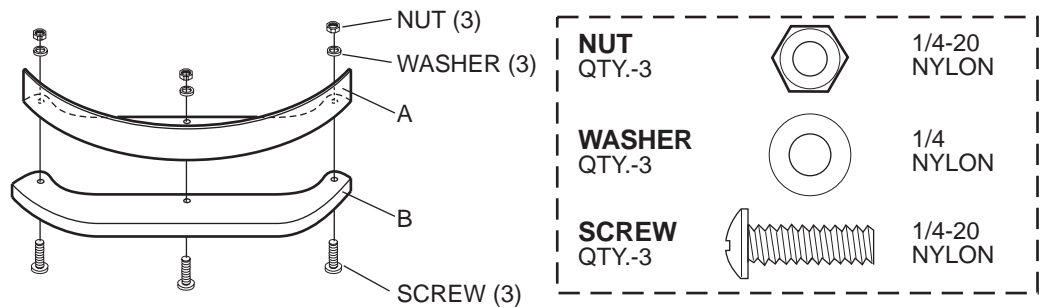
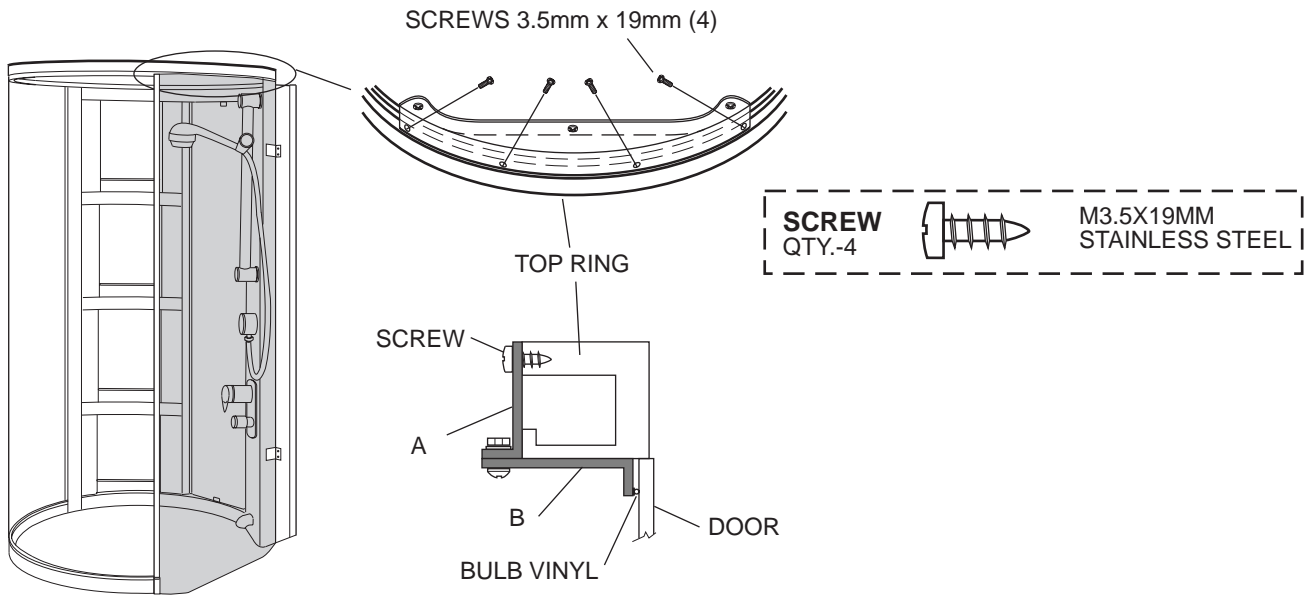


ILLUSTRATION 37
(Steam Tower Only)

- Assemble filler piece B with A. Locate filler piece A against top ring while making sure filler piece B sits flush under top ring. Also locate filler pieces with door closed. Mark and drill 4-3/32" holes through A and top ring. Secure A with screws. Cut bulb vinyl for door to filler piece contact. Apply 2-sided adhesive and press bulb vinyl firmly.

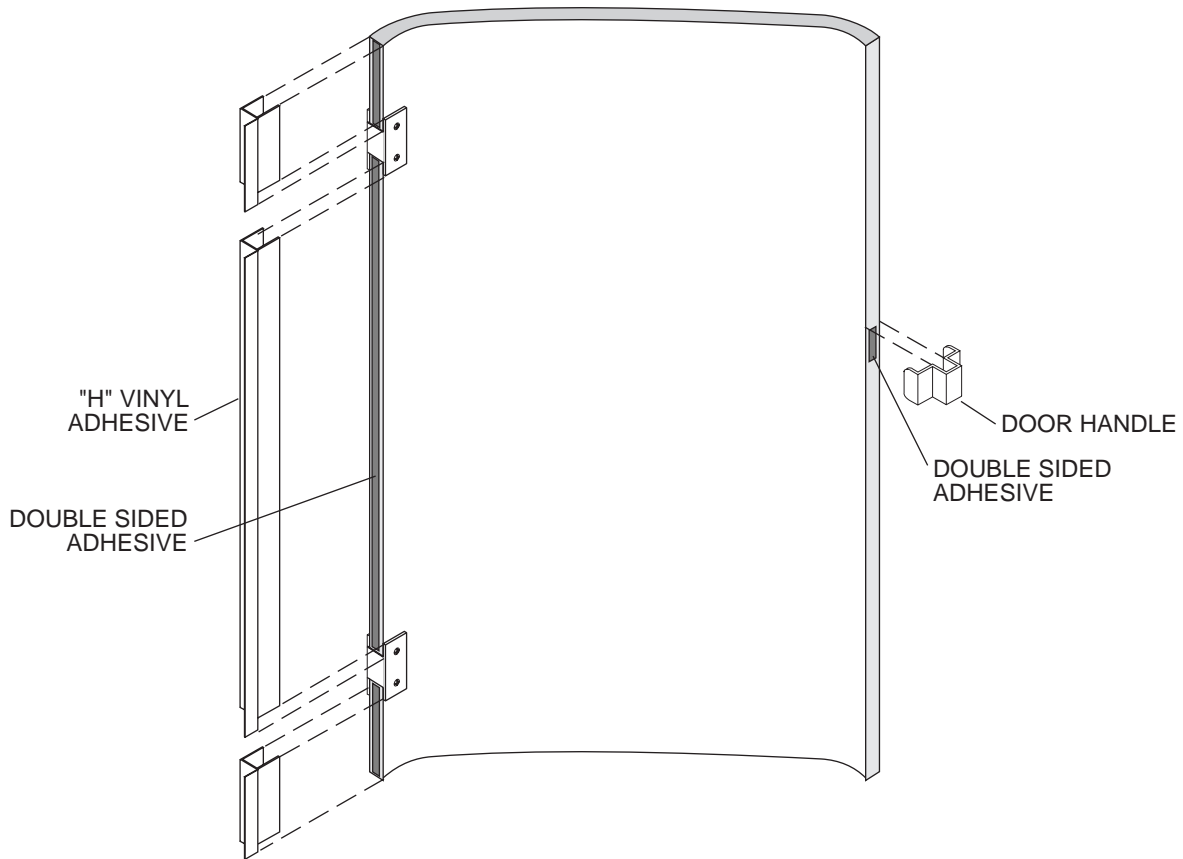


ILLUSTRATION 38
(Steam Tower Only)

26. Place double sided adhesive on edge of glass. Cut "H" sealing vinyl into three pieces conforming to the edge of glass door and place over adhesive. Press firmly into place. For door handle , apply double sided adhesive and press handle firmly into place.

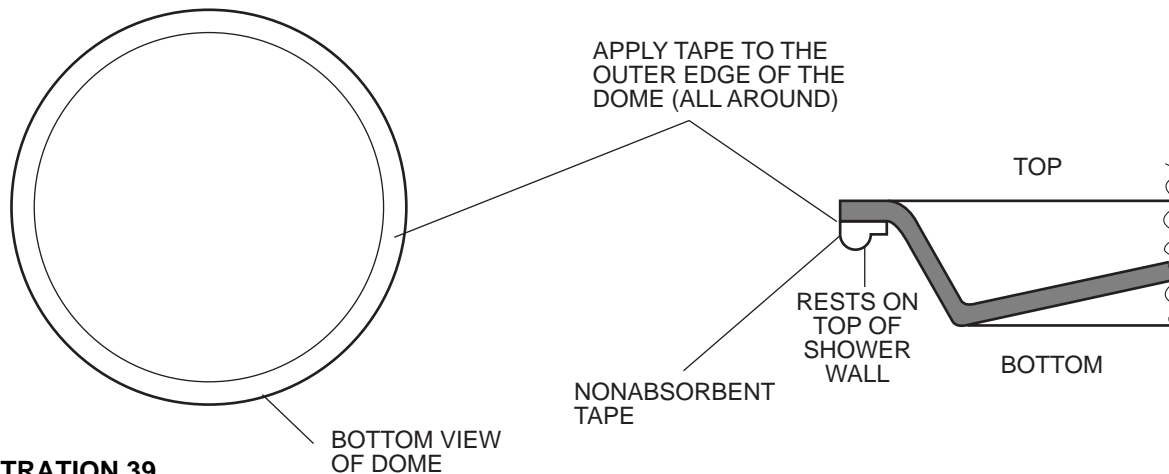
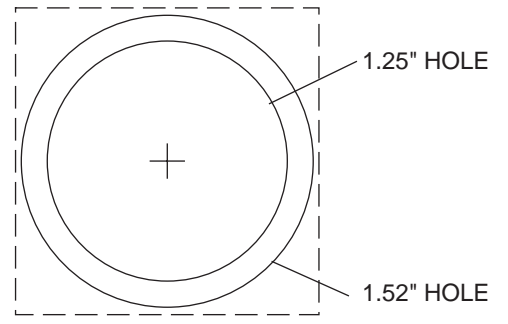


ILLUSTRATION 39
(Steam Tower Only)

27. Before installing the enclosed nonabsorbent tape make sure that the surface is clean and dry. A mild liquid detergent and warm water will clean soiled surfaces. While removing the backing material, apply the tape to the dome flange.
28. For routine cleaning of the dome, use a mild liquid detergent. **Do not use cleaners containing abrasives, alcohol, ammonia or othe solvents.**
29. A door stop is recommended but **not** provided.



TEMPLATE

**PRODUCT SPECIFICATIONS ARE SUBJECT TO CHANGE WITHOUT NOTICE.
USE INSTALLATION INSTRUCTIONS SUPPLIED WITH PRODUCT.**

Jacuzzi Whirlpool Bath has obtained applicable code (standards) listings generally available on a national basis for products of this type. It is the responsibility of the installer/owner to determine specific local code compliance prior to installation of this product. Jacuzzi Whirlpool Bath makes no representation or warranty regarding, and will not be responsible for any code compliance.

JACUZZI WHIRLPOOL BATH

Jacuzzi Whirlpool Bath National Headquarters
P.O. Drawer J, Walnut Creek, CA 94596 (510) 938-7070
Service Support: Call (800) 288-4002

©1997 Jacuzzi Whirlpool Bath J685000 A 4/98



Printed on Recycled Paper

Printed in the U.S.A.

Jacuzzi Whirlpool Bath Limited Warranty Designer Collection Bath Product

WARRANTY COVERAGE

Jacuzzi Whirlpool Bath (the "Company") offers the following express limited warranty to the original purchaser of any Jacuzzi Whirlpool Bath Designer Collection Bath Product ("unit") who purchases the product for personal or single family use ("user"). The Company will repair or replace, at its option, the unit or its equipment in accordance with the following terms and conditions.

TWO YEAR LIMITED WARRANTY ON BATHS

Our warranty on Designer Collection Bath products is for two (2) years. Our warranty covers the unit and factory-installed components (e.g., pump, motor) against defects in material or workmanship. Warranty coverage begins on the date the unit was originally purchased by the user.

NINETY DAY (PARTS ONLY) LIMITED WARRANTY ON OPTIONS AND ACCESSORIES

Our warranty on options and accessories manufactured by the Company is for ninety (90) days for parts only. Our warranty covers options and accessories manufactured by the Company (e.g., fill spout kits, trim kits, skirts) against defects of material or workmanship. Warranty coverage begins on the date the option or accessory was originally purchased by the user.

WARRANTY LIMITATIONS

Our warranty does not cover defects, damage, or failure caused by the common carrier, installer, user, or other person, or resulting from, without limitation, any of the following: careless handling (lifting unit by plumbing, abrading finish, etc.); modification of any type for any reason (including modification to meet local codes); improper installation (including installation not in accordance with instructions and specifications provided with the unit); connections supplied by the installer of the equipment; improper voltage supply or unauthorized electrical modification; misuse; incorrect operation, or lack of proper routine maintenance; operation of the unit without specified minimum amount of water or at inappropriate water temperature; use of abrasive or improper cleaners; or acts of God, such as lightning, floods, earthquakes, etc.

In addition, THE COMPANY WILL NOT BE RESPONSIBLE FOR INCIDENTAL OR CONSEQUENTIAL DAMAGES or losses arising from any cause (e.g., water damage to carpet, ceiling, loss of use, etc.) including its own negligence; damages to, respecting, or resulting from: plated parts when pool and/or spa chemicals are used in the unit; optional bath equipment not manufactured by the Company, supplied by Dealer, installer or the Company; the unit's prior usage as an operational display; or defects that should have been discovered before installation. This limited warranty does not include: labor, transportation, or other costs incurred in the removal and/or reinstallation of the original unit and/or installation of a replacement unit; any costs relating to obtaining access for repair; or loss of use damage, including loss of sales, profit or business advantage of any kind under any circumstances. Bath units in commercial use are excluded from any warranty coverage if any addition, deletion, or modification of any kind whatsoever has been made to the unit (or to any component).

Warranty coverage is provided in the United States of America only.

IMPLIED WARRANTIES

All implied warranties of merchantability and fitness for a particular purpose are equal in duration with the express warranties set forth herein.

NOTICE: This warranty gives you specific legal rights, and you may also have other rights which vary from state to state. There are no warranties applicable to Jacuzzi Whirlpool Bath products except as expressly stated herein or as implied by applicable state and federal laws. The Company will not be responsible for any statements or representations made in any form that go beyond, are broader than or are inconsistent with any authorized literature or specifications furnished by the Company.

Some states do not allow limitations on how long an implied warranty lasts, or the exclusion or limitation of incidental or consequential damages, so the above limitations and exclusions may not apply to you.

RETURN OF WARRANTY CARD

The attached Warranty Registration Card MUST be filled out by the purchaser within thirty (30) days from purchase and mailed to Jacuzzi Whirlpool Bath in order for this warranty to become effective.



Jacuzzi Whirlpool Bath
P.O. Drawer J
Walnut Creek, CA 94596-9885

RESPONSIBILITIES OF OTHERS

Inspecting the unit prior to installation is the responsibility of the installer or building contractor who acts on behalf of the user. They are responsible for ensuring the unit is free of defect or damage. Notices are placed on and in the unit and on the shipping carton advising the installer of this responsibility. In the event of a problem, the unit must not be installed. The Company is not responsible for failures or damage that could have been discovered, repaired, or avoided by proper inspection and testing prior to installation.

Damage occurring in transit is the responsibility of the carrier. The user or installer **MUST** open the crate and inspect the unit for damage when it is delivered. If damage is discovered, it must be reported immediately to the seller and the carrier in writing, and an inspection requested. Failure of the carrier to respond should be reported to the seller and the carrier. Your freight claims should be filed promptly thereafter.

It is the responsibility of the installer, building contractor, or user to provide access for service. The Company is not responsible for any costs relating to obtaining access for repair. The user shall bear such costs and, if appropriate, must seek recovery from the installer.

Damage occurring to the unit during installation is the responsibility of the installer and/or building contractor and damage occurring thereafter is the responsibility of the user.

Failure of any optional equipment is the sole responsibility of the equipment manufacturer. (Options and accessories manufactured by the Company are warranted for ninety (90) days from the original date of purchase for parts only.)

The Distributor or Dealer is responsible for knowing local code requirements and notifying the installing contractor and/or user of these requirements at the time of purchase. The Company is not responsible for costs to modify any product to obtain any code approval, such as city, county, or state building codes.

WARRANTY SERVICE

For the customer's benefit, the Company maintains a list of independent service personnel to perform required warranty service repairs. Such firms are not agents or representatives of the Company and cannot bind the Company by words or conduct.

The Company will provide the warranty service described above when the following conditions have been met: the failure is of the nature or type covered by the warranty; the user has informed an Authorized Jacuzzi Whirlpool Bath Service Agent or Warranty Service Department Representative of the nature of the problem during the warranty period; conclusive evidence (e.g., proof of purchase or installation) is provided to the foregoing by the user proving that the failure occurred or was discovered within the warranty period; an authorized independent service person or Company representative has been permitted to inspect the unit during regular business hours within a reasonable time after the problem was reported by the user.

In order to obtain warranty service, consult your local telephone book for the location of the nearest Jacuzzi Whirlpool Bath Authorized Service Agent. Describe the problem and the Authorized Service Agent will inspect the unit and provide the required warranty service.

If you are unable to contact a Jacuzzi Whirlpool Bath Authorized Service Agent, call or write:

Jacuzzi Whirlpool Bath
Warranty Service Department
P.O. Drawer J
Walnut Creek, California 94596
Call: (800) 288-4002

To obtain warranty replacement for factory-installed components for Company supplied options and accessories manufactured and supplied by the Company, call or write the above. Provide a description of the problem and proof of purchase. You will be instructed how to obtain replacements and where to return, at your expense, the failed component(s), option(s), or accessory(ies).

All replacement parts, equipment, and repairs shall assume the remaining warranty period of the part(s) replaced.

The Company's warranty obligation shall be discharged upon tender of replacement or repair. The customer's refusal to accept the tender terminates the Company's warranty obligation.

©1997 Jacuzzi Whirlpool Bath J685000 A 4/98

Ninety-Day
Parts Only
Limited Warranty
On
Accessory(ies)

Ninety-Day
Parts Only
Limited Warranty
On
Accessory(ies)



Warranty Registration Card

This card must be filled out and returned to the address printed on the other side within thirty (30) days from date of purchase in order for this warranty to be come effective.

Purchaser's Name _____
 Purchaser's Address _____
 City _____ State _____ Zip _____
 Date of Purchase _____
 Model Name _____
 Serial Number _____
 Dealer's Name _____
 Dealer's Address _____

- How did you first hear about this Jacuzzi® product?
 Advertisement Article in Magazine/Newspaper
 Visited Dealer/Plumbing Supplier Yellow Pages
 Builder/Plumber/Remodeler Decorator/Architect
 Visited Retailer/Home Center Store
 Word of Mouth... Friend/Relative/acquaintance
 Other... Please Describe _____
- Who first gave you specific information about this product (specifications, prices, etc.)?
 Dealer/Plumbing Supplier Builder Remodeler
 Plumbing Contractor Retailer/Home Center Store
 Decorator/Architect Already installed
 What was the main reason for purchase?
 Styling Warranty Service Product Features
 Brand Name Price Hydrotherapy
 Home Resale
 Other _____
- Who finally decided which product you would buy?
 Self Spouse Self and Spouse Together
 Other Family Member Designer/Architect
 Builder/Plumber/Remodeler Already installed
 Who installed? Already installed/New Home
 Contractor/Plumber when remodeling
 Self/Spouse when remodeling
 Other _____
- What is the current market value of this property?
 Please estimate \$ _____ years
- What is the age of the head of the household?
 Elier Lasco Price Pfister Aqua Glass
 Kohler American Standard Sterling
 Other (Specify) _____
- How long did you shop before purchasing unit?
 1 day 2 months-6 months
 2-7 days 6 months-1 year
 1 week-2 weeks 1 Year-2 years
 2 weeks-4 weeks +2 years
- Approximately how long have you lived in this home?
 Please indicate, approximately, the total annual income of your household.
 Up to \$24,999 \$50,000 to \$74,999
 \$25,000 to \$29,999 \$75,000 to \$99,999
 \$30,000 to \$39,999 \$100,000 to \$149,999
 \$40,000 to \$49,999 \$150,000 and Above
- Was your purchase process?
 Very easy Easy Difficult Very difficult
 How technically aware were you of the patented Jacuzzi® jet system prior to your purchase?
 Not aware Somewhat aware Very aware