

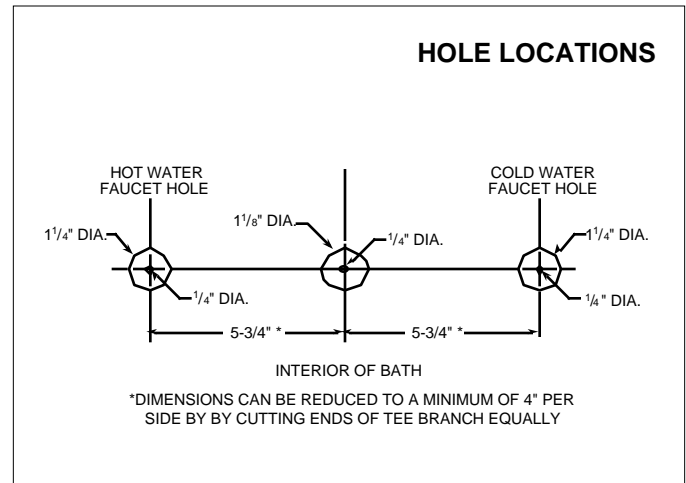


Bath Fill Spout/Valve Kit Installation Instructions

IMPORTANT: Read all instructions before beginning installation. Consult local codes for requirements.

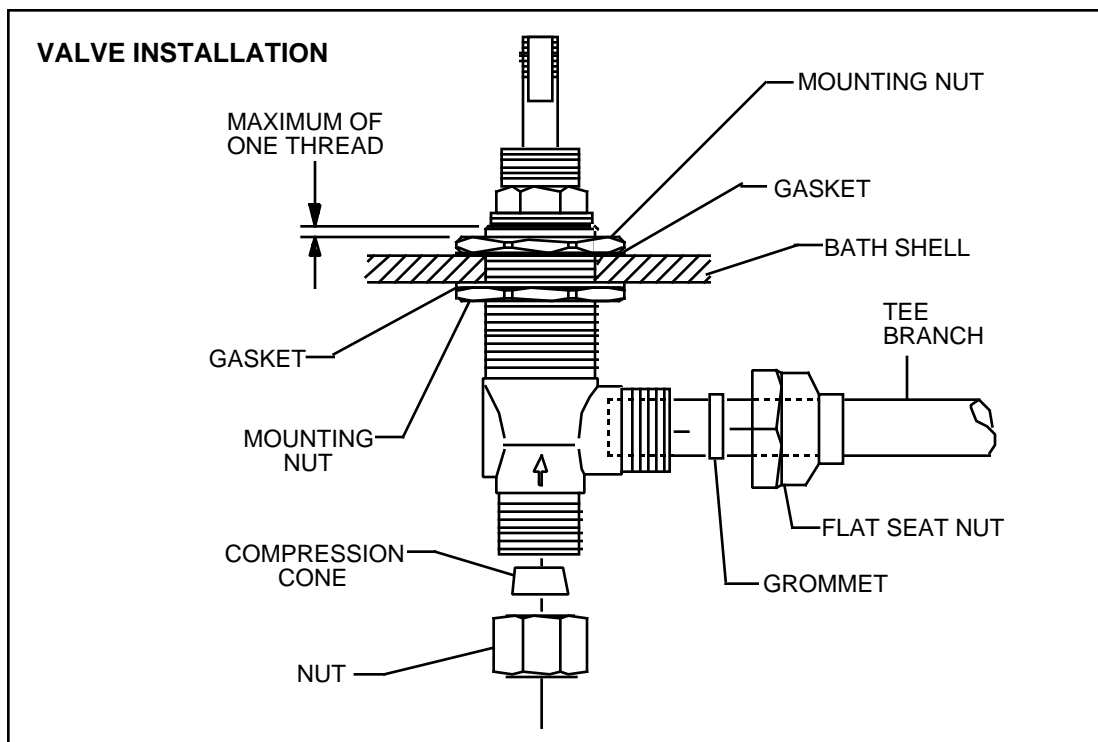
Drilling Holes

Drill holes from the finished surface side of the unit very carefully, making sure they are the proper size. We recommend that you drill pilot holes and then use the recommended drill size.

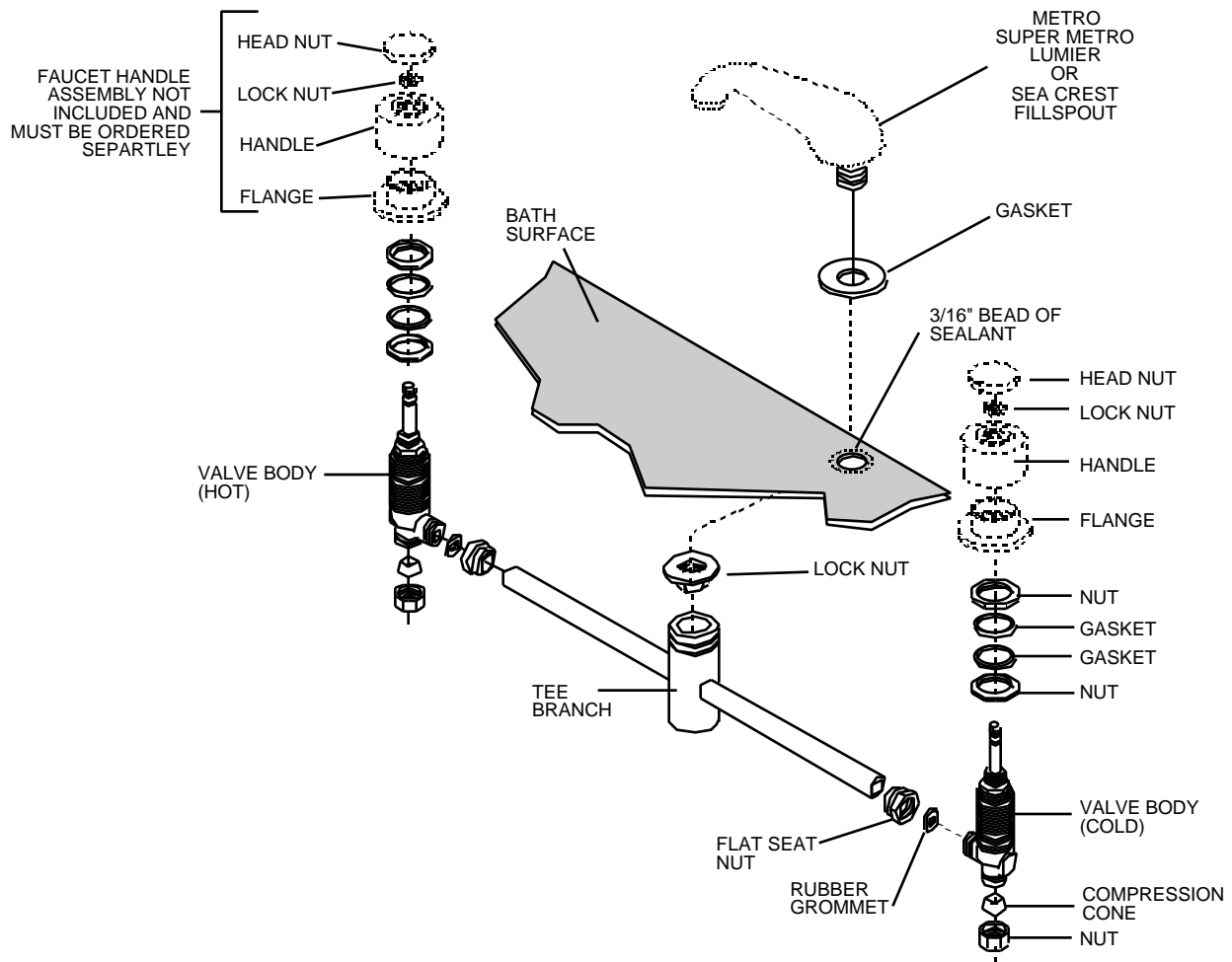


Mounting the Valves

Install a mounting nut and gasket on each valve body and position them at least half way down the threaded length of the valve. Place a flat seat nut and grommet over each end of the tee branch. Insert each end of the tee branch into the valve outlets and finger tighten. Install this valve assembly from the underside of the bath. Lubricate the double 'O'-ring seal with a silicone type lubricant. Push the double 'O'-ring end of the tee branch into the fill spout pipe extension. Install a gasket and mounting nut with minimum engagement (one thread showing). Tighten the bottom mounting nut and gasket from the bottom side. Tighten the connections between the water valve and the tee branch. Complete the water supply connections to the valve inlet using the compression nuts and cones.



SUGGESTED PLUMBING SCHEME



CAUTION

Since plumbing fittings may contribute detectable amounts of lead to water, the following notice is required by California Law (Proposition 65): "This product contains a chemical known to the State of California to cause birth defects or reproductive harm."

IMPORTANT

Proper installation of the fill spout and compliance with local codes is the responsibility of the installer. Jacuzzi Whirlpool Bath does not warrant connections of water supply fittings and piping, fill systems, or drain/overflow systems. Nor is it responsible for damage to the bath which occurs during any installation procedure.

**PRODUCT SPECIFICATIONS ARE SUBJECT TO CHANGE WITHOUT NOTICE.
USE INSTALLATION INSTRUCTIONS SUPPLIED WITH PRODUCT.**

Jacuzzi Whirlpool Bath has obtained applicable code (standards) listings generally available on a national basis for products of this type. It is the responsibility of the installer/owner to determine specific local code compliance prior to installation of the product. Jacuzzi Whirlpool Bath makes no representation or warranty regarding, and will not be responsible for any code compliance.

JACUZZI WHIRLPOOL BATH

Jacuzzi Whirlpool Bath National Headquarters

P.O. Drawer J, Walnut Creek, CA 94596 (510) 938-7070

Customer Service: Call (800) 288-4002