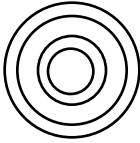
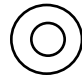
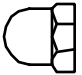
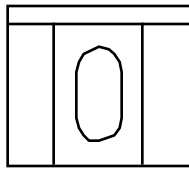
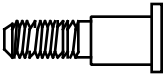
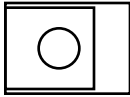





ADDENDUM CORNER TOWER DOOR

- 1.. Locate the sliding door and roller hardware. The bottom of the sliding door has a rounded edge. Attach the top rollers so they are positioned in the middle of the slots. Tighten the acorn nut. (See Illustration 1.) Assemble the bottom guides with axle and two washers. Slide assemblies into bottom rail. (See Illustration 2.)
- 2.. Place the top rollers of the sliding door into the top ring roller track. Pivot the door bottom toward the bottom rail. Position the axles through the slots. Tighten the acorn nuts. (See Illustration 2.)
3. . Locate the retainer extrusion. Slide it between the door and top track. Align the joint of the retainer extrusion with the top ring joint. The extrusion should cover the entire inside diameter of the top ring. Secure the retainer extrusion with the retainer clips. Drill four (4) 3/32" diameter holes at 90° intervals. Use the retainer clips as a drill guide. (See Illustration 3.)

1A	WHEEL QTY.-2		DOOR WHEEL PLASTIC
1B	WASHER QTY.-10		FLAT WASHER M5X10 STAINLESS STEEL
1C	NUT QTY.-4		ACORN NUT M5 STAINLESS STEEL
1D	GUIDE QTY.-2		DOOR GUIDE PLASTIC
1E	AXLE QTY.-4		WHEEL AXLE STAINLESS STEEL
1F	CLIP QTY.-4		RETAINER CLIP NYLON
S	SCREW QTY.-4		M3.5X9.5MM STAINLESS STEEL

POSITION ROLLERS IN TRACKS

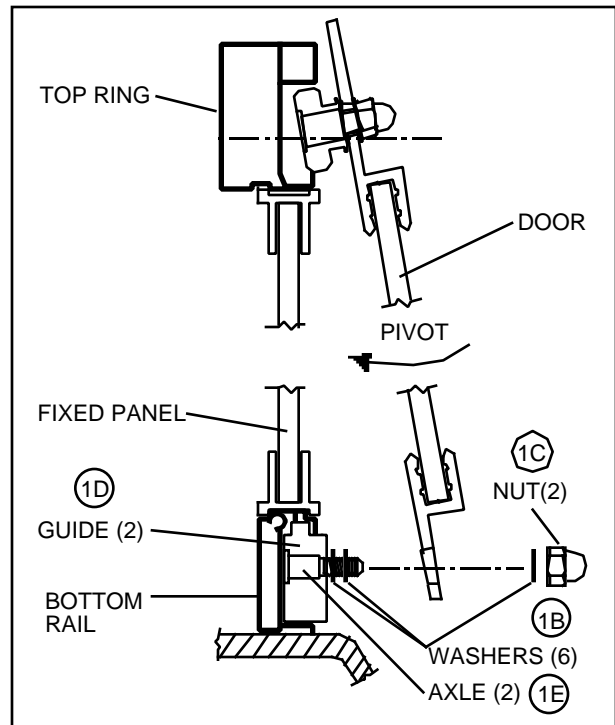


ILLUSTRATION 2

LOCATE TOP TRACK RETAINER EXTRUSION

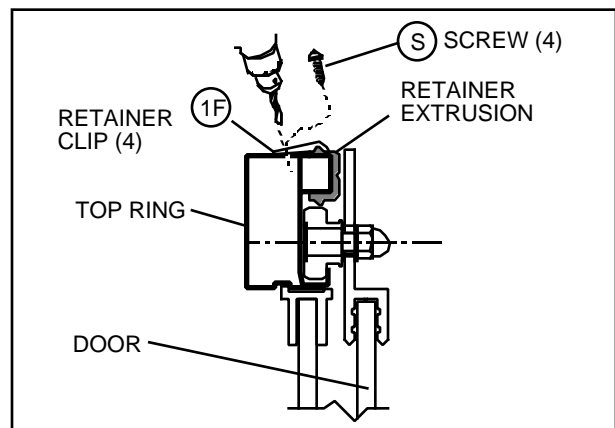


ILLUSTRATION 3

ATTACH ROLLERS TO SLIDING DOOR

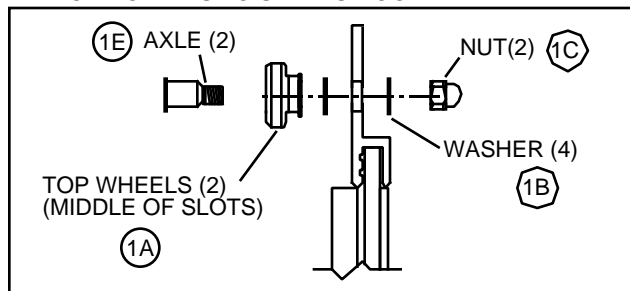
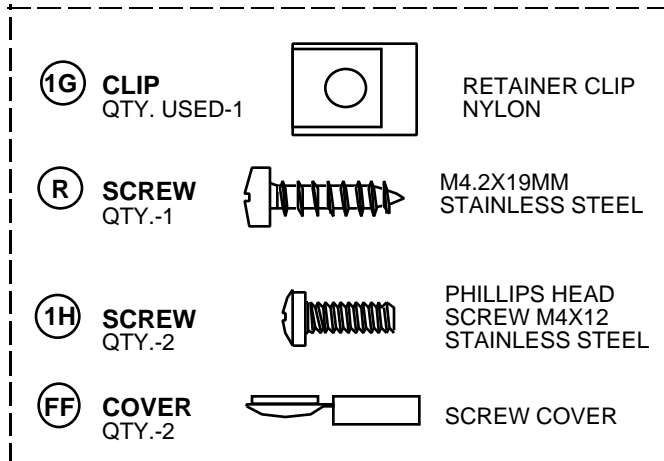


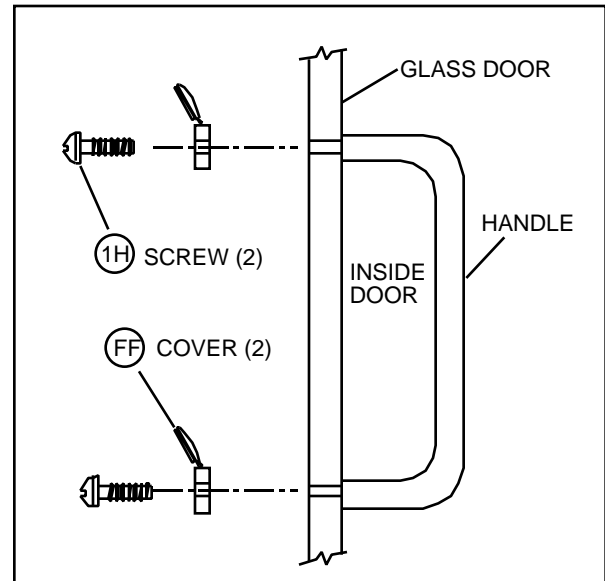
ILLUSTRATION 1

4. After alignment, the door stop should be attached. Slowly rotate the door to the closed position. The vertical edges of the fixed frame and sliding door should engage. Slide the door back 1/4" and attach the door stop by drilling a 3/32" hole through the plastic extrusion and secure a plastic retainer to the retainer extrusion. (See Illustration 4.)
5. Attach the handle to the inside of the sliding glass door. (See Illustration 5.)

IMPORTANT: HANDLE MUST BE MOUNTED TO *INSIDE* OF GLASS DOOR TO AVOID STRIKING FRAME AND SHATTERING THE GLASS.



ATTACHING HANDLE TO INSIDE OF DOOR



ATTACHING DOOR STOP

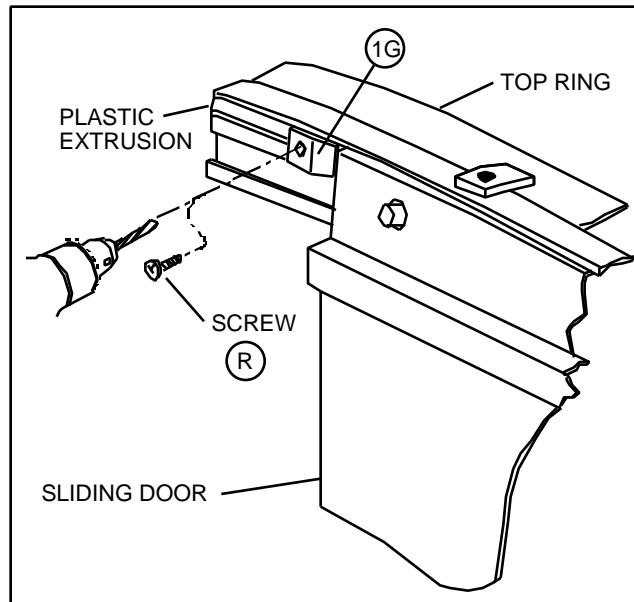


ILLUSTRATION 5

ILLUSTRATION 4

JACUZZI WHIRLPOOL BATH

Jacuzzi Whirlpool Bath National Headquarters
 P.O. Drawer J, Walnut Creek, CA 94596 (510) 938-7070
 Service Support: Call (800) 288-4002

©1997 Jacuzzi Whirlpool Bath M272000 7/97