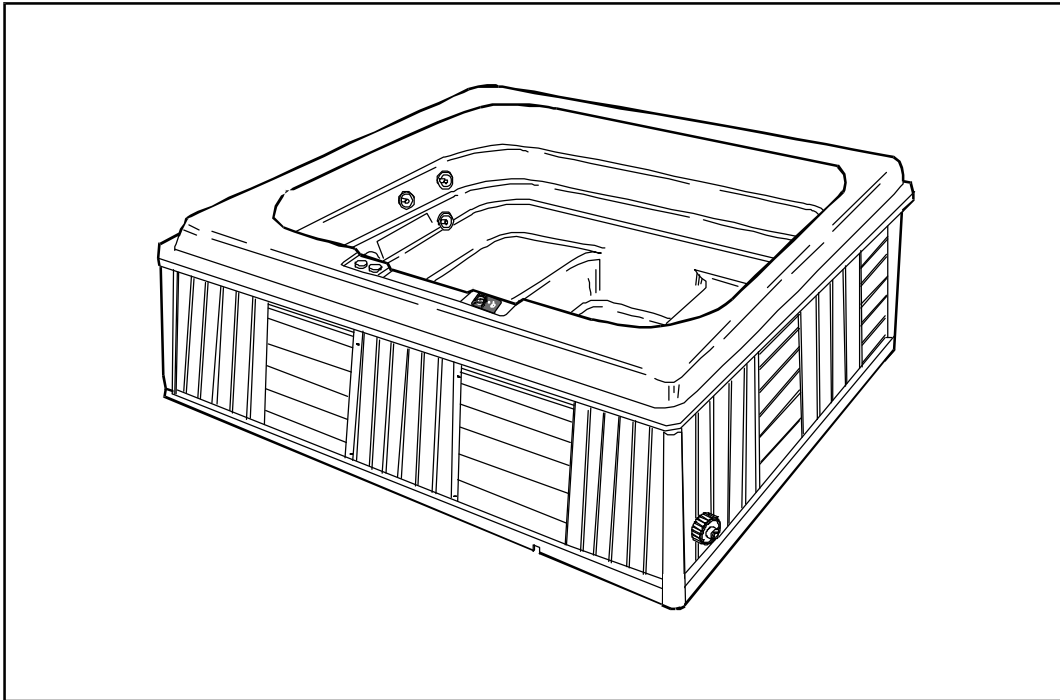




The Z110/MODEL 310 Whirlpool Spa



PARTS CATALOG

MODEL #H490000
ISSUE DATE: 10/99
CATALOG #J366000E

CONTENTS

Z110/Model 310 Reference _____	1
Discharge Plumbing _____	2
Suction Plumbing _____	3
Air Line Piping _____	4
Skirt Assembly _____	5

TO ORDER

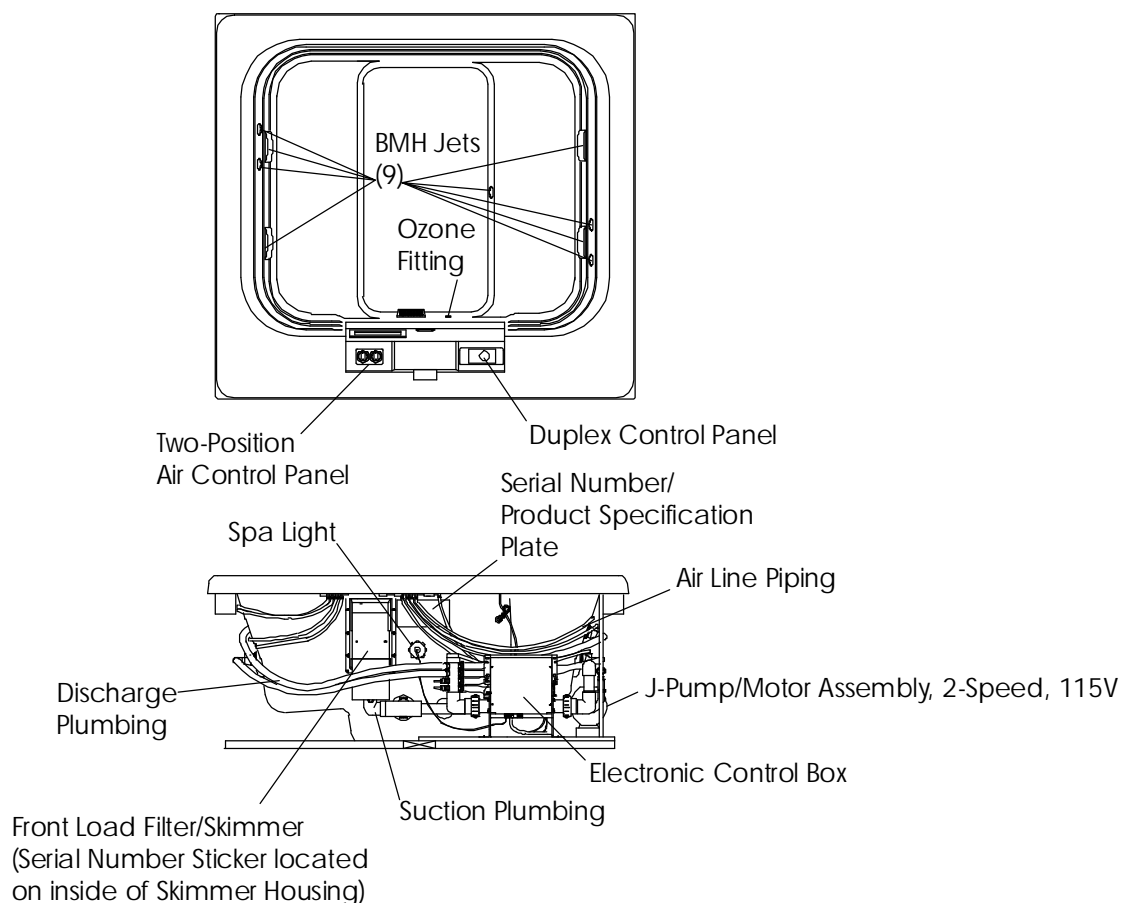
Order by part number unless otherwise noted. Quantities shown in this catalog indicate the number of items required. When ordering, specify the quantity needed.



Z110/MODEL 310

MODEL #H490000
ISSUE DATE: 10/99

REPAIR ASSEMBLIES ARE SHOWN/REFERENCED BELOW



See General Spa Parts Catalog for information on the following:

BMH Jet Assembly
Front Load Filter/Skimmer Assembly
Suction Cover
Spa Light Fitting

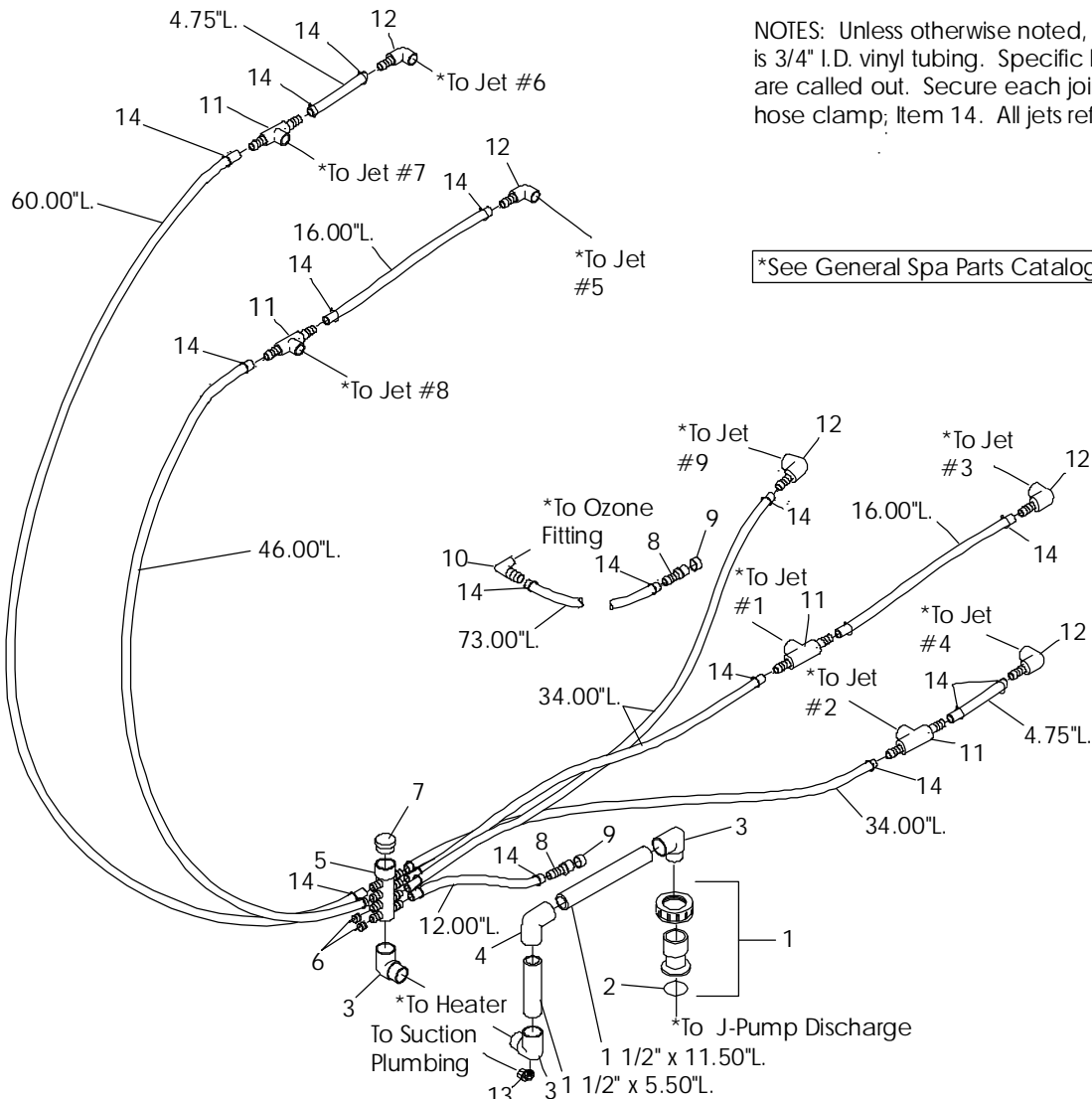
Two-Position Control Panel
J-Pump/Motor Assembly
Electronic Control Box
Ozone Dispersion Fitting



Z110/MODEL 310

MODEL #H490000
ISSUE DATE: 10/99

DISCHARGE PLUMBING



NOTES: Unless otherwise noted, all piping is 3/4" I.D. vinyl tubing. Specific lengths are called out. Secure each joint with one hose clamp; Item 14. All jets referenced are BMH.

*See General Spa Parts Catalog

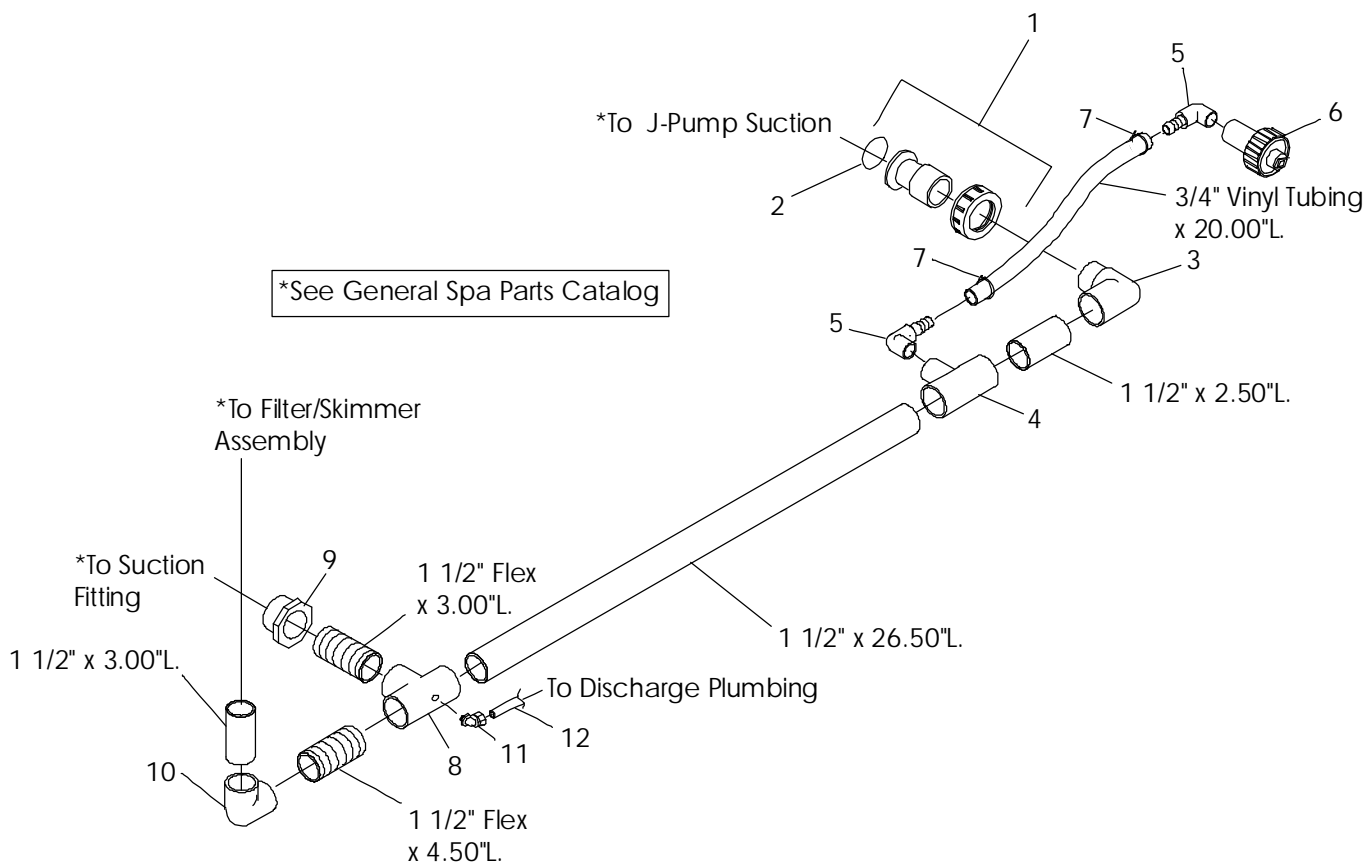
ITEM	P/N	DESCRIPTION	QTY
1	9250000	Repair Kit, Union Adapter	1
2	9231000	O-Ring, Union	1
3	0955000	Ell, 90, 1 1/2", Street x Slip	3
4	0239000	Ell, 90, 1 1/2", S x S	1
5	H197000	8 Port Manifold, 3/4" x 1 1/2"	1
6	H202000	Plug, 3/4" Barb	2
7	H222000	Plug, 1 1/2" SPIG	1
8	H203000	Barb, 3/4" x SPG 3/4"	2
9	F382000	Cap, 3/4" Slip	2
10	H205000	Barb, 3/4" 90 x SPG 1/2"	1
11	P601000	Barb, Tee, 3/4 x 3/4 S x 1" SPIG	4
12	P600000	Barb, Ell, 3/4 x 3/4 S x 1" SPIG, 90	5
13	3044000	Compression Ftng, 90, Ell, 1/4"	1
14	J974000	Hose Clamp, Dual Wire, 3/4 Tube	15



Z110/MODEL 310

MODEL #H490000
ISSUE DATE: 10/99

SUCTION PLUMBING



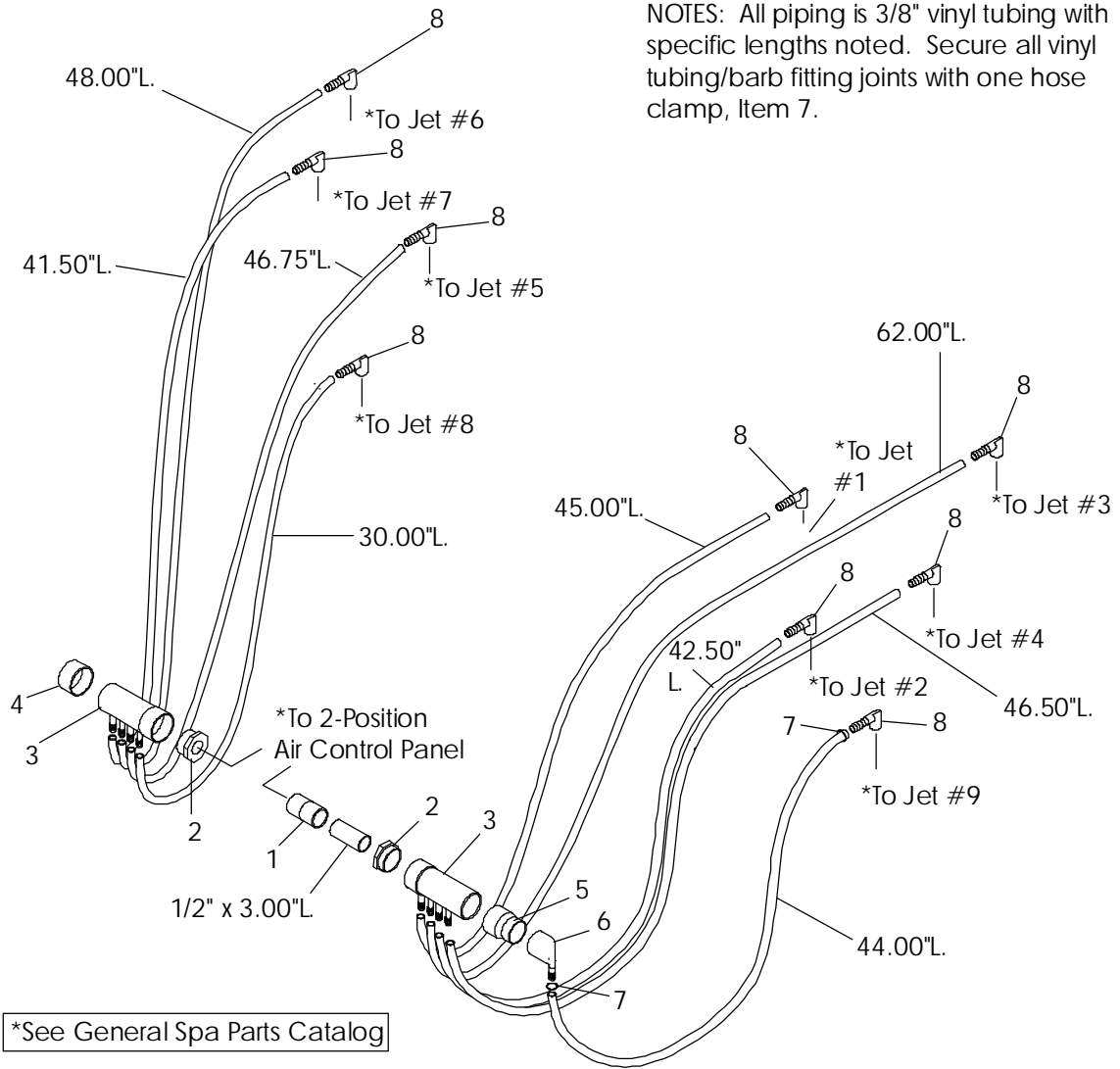
ITEM	P/N	DESCRIPTION	QTY
1	9250000	Repair Kit, Union Adapter	1
2	9231000	O-Ring, Union	1
3	0955000	Ell, 90, 1 1/2", Street x Slip	1
4	7731000	Tee, Rdcng, 1 1/2" x 1 1/2" x 1"	1
5	P600000	Barb, Ell, 3/4 x 3/4 x S x 1" SPIG, 90	2
6	H999000	Drain Fitting, Spa	1
7	J974000	Hose Clamp, Dual Wire, 3/4 Tube	2
8	0167000	Tee, 1 1/2" S x S x S	1
9	0473000	Bushing, Rdcng, 2" x 1 1/2" SPIG x Slip	1
10	0239000	Ell, 90, 1 1/2" S x S	1
11	3044000	Compression Fng, 90, Ell, 1/4"	1
12	4649000	Tube, 1/4" O.D. Flex Nylon x 96.00"L.	1



Z110/MODEL 310

MODEL #H490000
ISSUE DATE: 10/99

AIR LINE PIPING



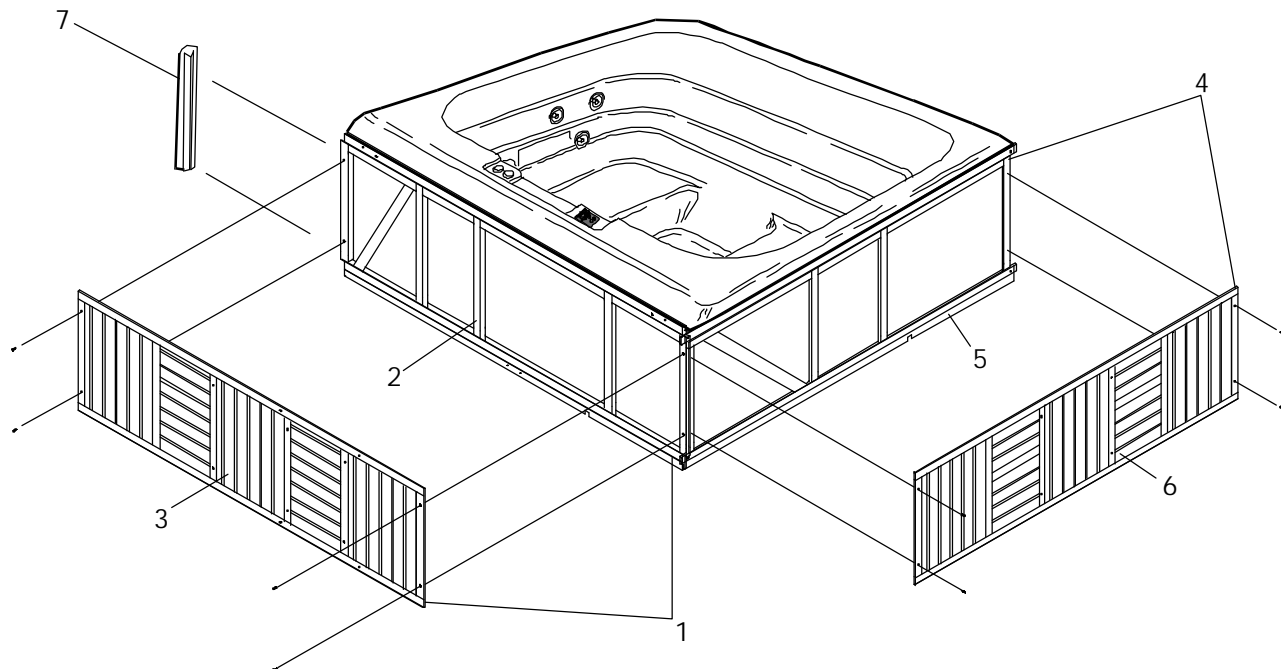
ITEM	P/N	DESCRIPTION	QTY
1	0647000	Coupling, 1/2" S x S	1
2	0825000	Bushing, Rdcng, 1" x 1/2" SPG x S, Flt	2
3	H200000	4 Port Manifold, 3/8" x 1"	2
4	H214000	Cap, 1" Slip	1
5	H217000	Reducer Coupling, S x S 1" x 3/4"	1
6	H207000	Barb, 3/8" 90 x 1/2" S x 3/4" SPG	1
7	J975000	Hose Clamp, Dual Wire, 3/8 Tube	18
8	H210000	Barb, 3/8" 90 x SPG 1/2"	9



Z110/MODEL 310

MODEL #H490000
ISSUE DATE: 10/99

SKIRT ASSEMBLY



ITEM	P/N	DESCRIPTION	QTY
1	N066000	Skirt Assembly, Front/Back	2
2	N082000	Skirt Frame	2
3	N093000	Skirt Panel	2
4	N067000	Skirt Assembly, Side	2
5	N088000	Skirt Frame	2
6	N099000	Skirt Panel	2
7	N077000	Corner Posts	4

PRODUCT SPECIFICATIONS ARE SUBJECT TO CHANGE WITHOUT NOTICE.
USE INSTALLATION INSTRUCTIONS SUPPLIED WITH PRODUCT.

Jacuzzi Whirlpool Bath has obtained applicable code (standards) listings generally available on a national basis for products of this type. It is the responsibility of the installer/owner to determine specific local code compliance prior to installation of the product. Jacuzzi Whirlpool Bath makes no representation or warranty regarding, and will not be responsible for any code compliance.

JACUZZI WHIRLPOOL BATH

Jacuzzi Whirlpool Bath National Headquarters
P.O. Drawer J, Walnut Creek, CA 94596 (510) 938-7070
Service Support: (800) 288-4002

©Copyright 1997 Jacuzzi Whirlpool Bath J366000E 10/99

Printed in the U.S.A.