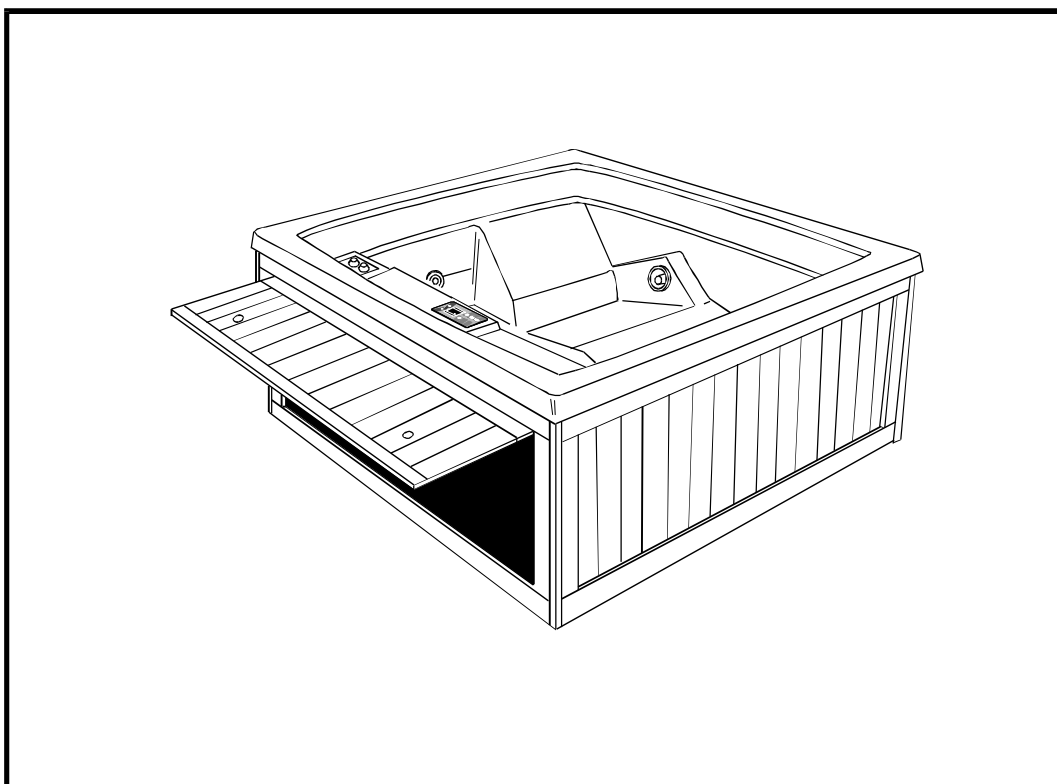




The Z110™ Whirlpool Spa



PARTS CATALOG

MODEL #F511000
ISSUE DATE: 7/95
CATALOG #G885000

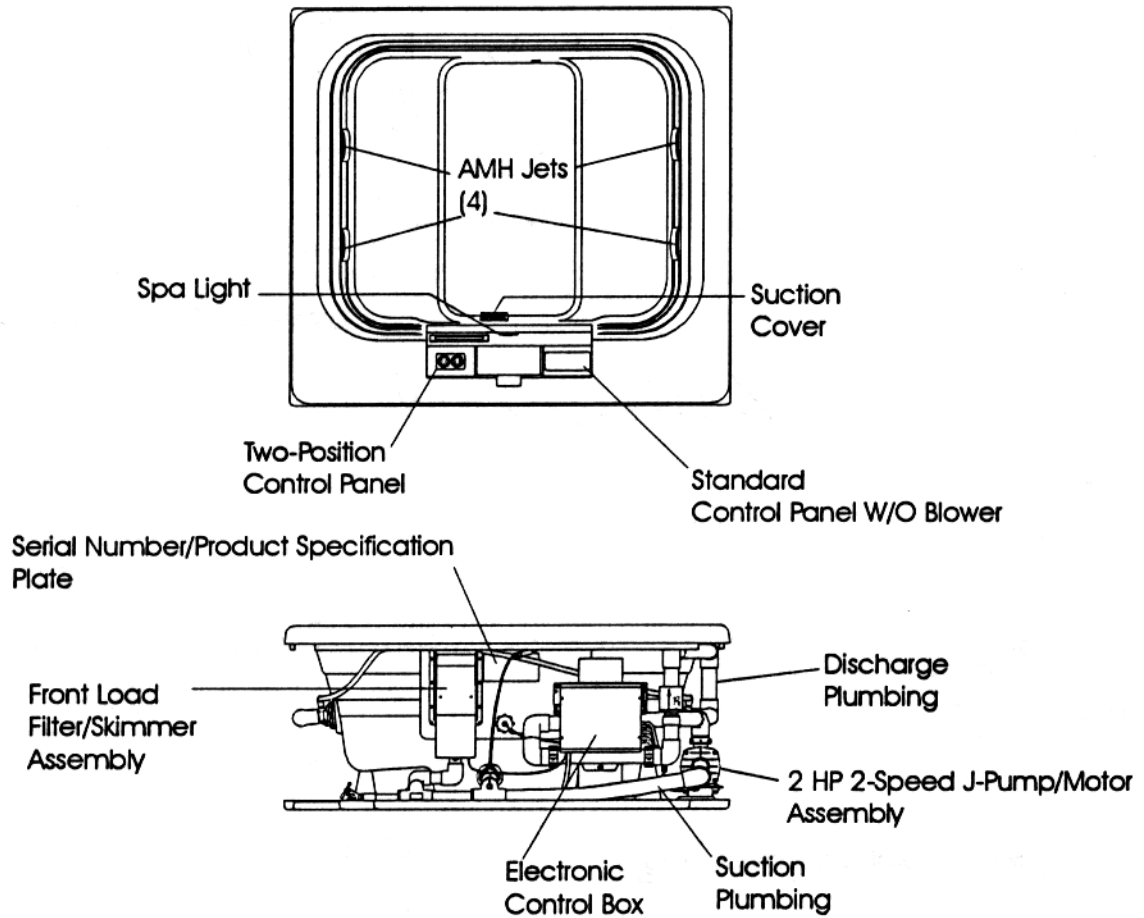
CONTENTS

Z110 Reference	1
Discharge Plumbing	2
Suction Plumbing	3
Air Line Piping	4
Vent/Drain Assembly	5
Skirt Assembly	6
Other Items Available	7

TO ORDER

Order by part number unless otherwise noted. Quantities shown in this catalog indicate the number of items required. When ordering, specify the quantity needed.

REPAIR ASSEMBLIES ARE SHOWN/REFERENCED BELOW

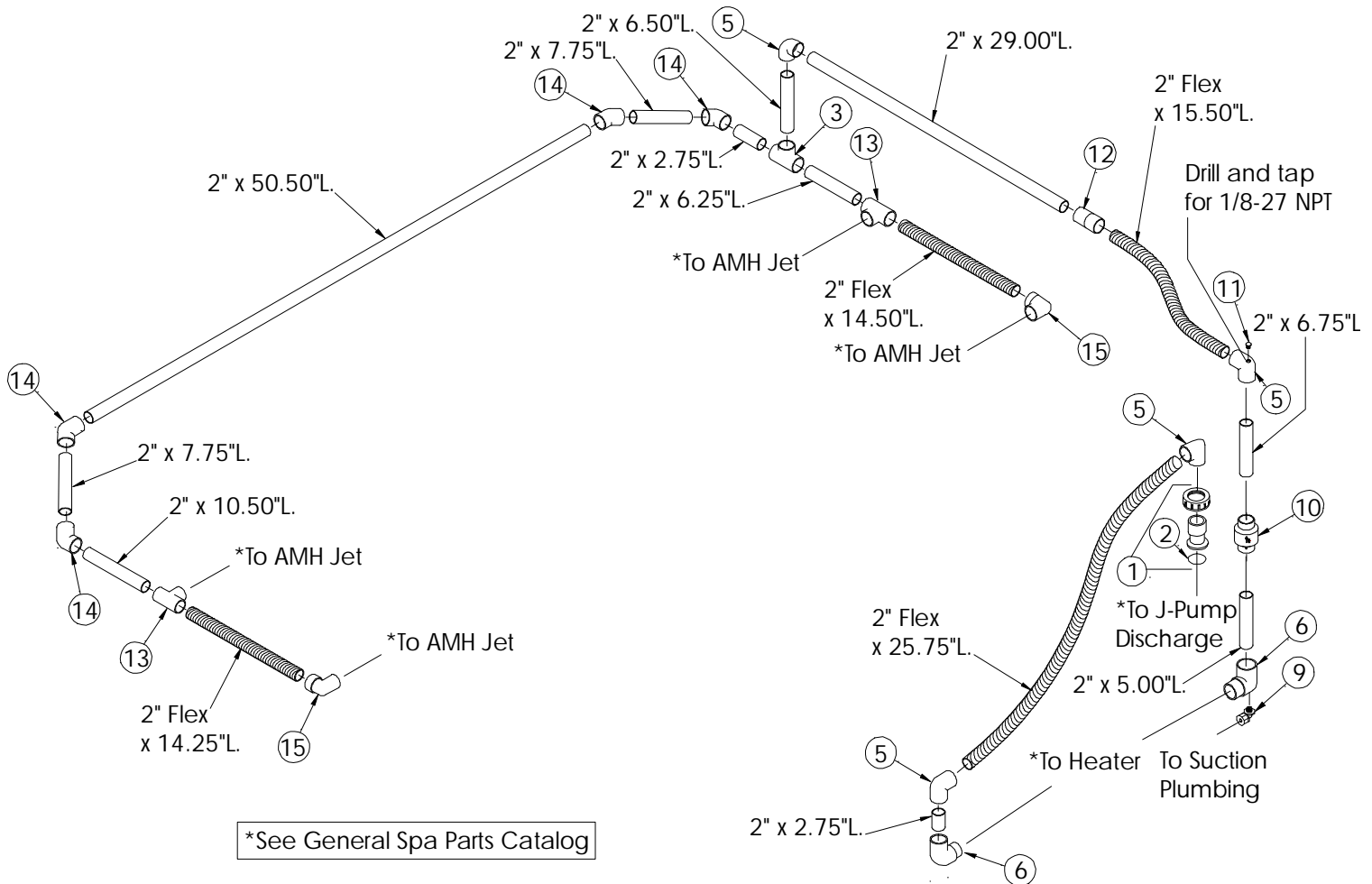


See General Spa Parts Catalog for information on the following:

AMH Jet Assembly
Front Load Filter/Skimmer Assembly
Suction Cover
Two-Position Control Panel
Spa Light Fitting

J-Pump/Motor Assembly
Electronic Control Box
Digital Control Panels

DISCHARGE PLUMBING

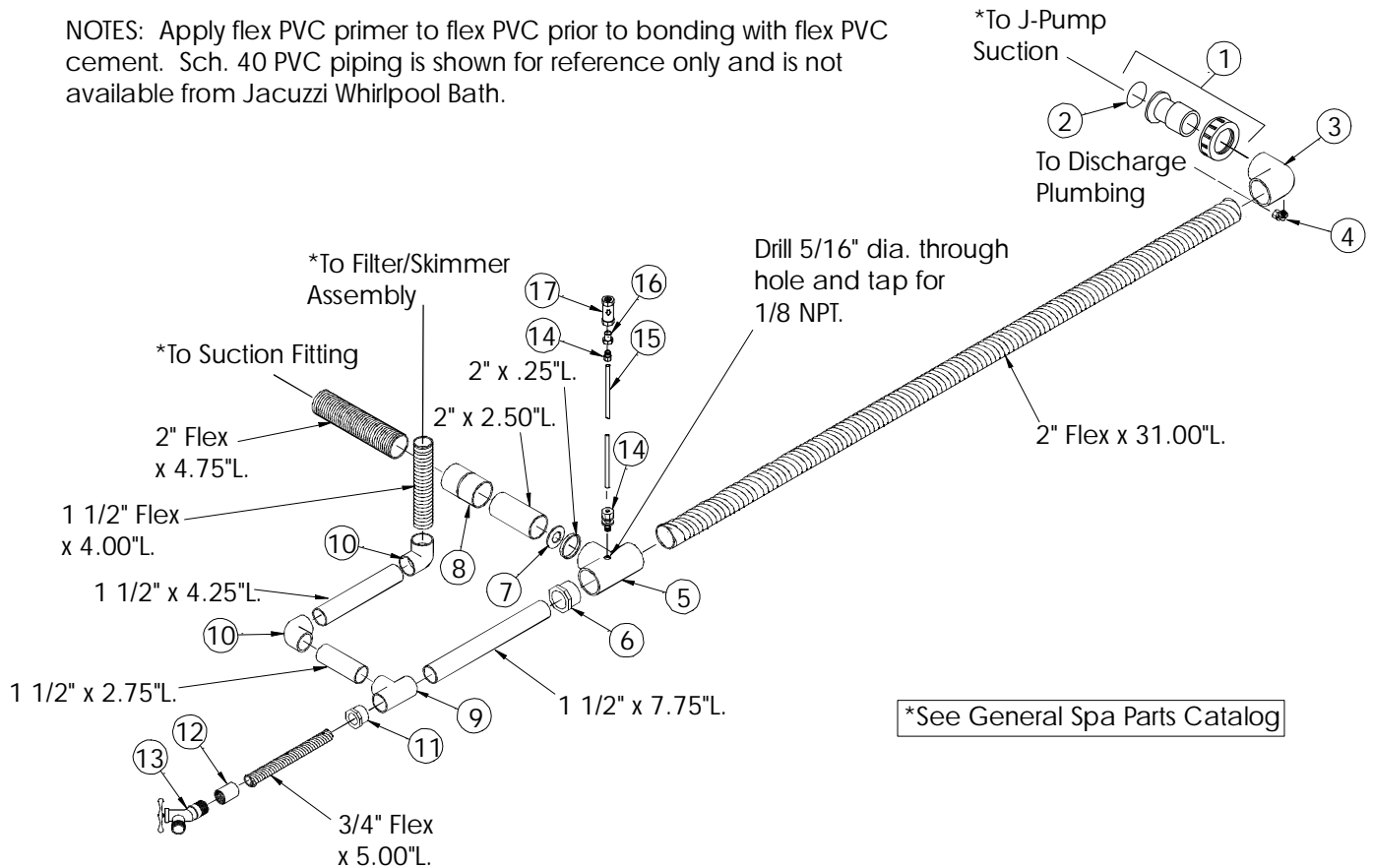


*See General Spa Parts Catalog

ITEM	P/N	DESCRIPTION	QTY
1	9250000	Repair Kit, Union Adaptor	1
2	9231000	O-Ring, Union	1
3	0828000	Tee, 2", S x S x S	2
4	7299000	Bushing, Rdcng, 2" x 3/4" SPG x S	2
5	0426000	Ell, 90, 2", S x S	4
6	1592000	Ell, Street, 2", 90	2
7	7298000	Ell, 3/4", 90, Street	2
8	F382000	Cap, 3/4", Slip	1
9	3044000	Compression Ftng, 90 Ell, .25"	1
10	G023000	Check Valve, 2 in. 2 lb. Spring	1
11	0538000	Plug, Drain 1/8 NPT	1
12	0851000	Coupling, 2" S x S	1
13	2488000	Tee, Rdcng, 2" x 2" x 1 1/2", S x S x S	2
14	0522000	Ell, 45, 2" S x S	4
15		Ell, 90, 2" x 1 1/2" Rdcng	2

SUCTION PLUMBING

NOTES: Apply flex PVC primer to flex PVC prior to bonding with flex PVC cement. Sch. 40 PVC piping is shown for reference only and is not available from Jacuzzi Whirlpool Bath.

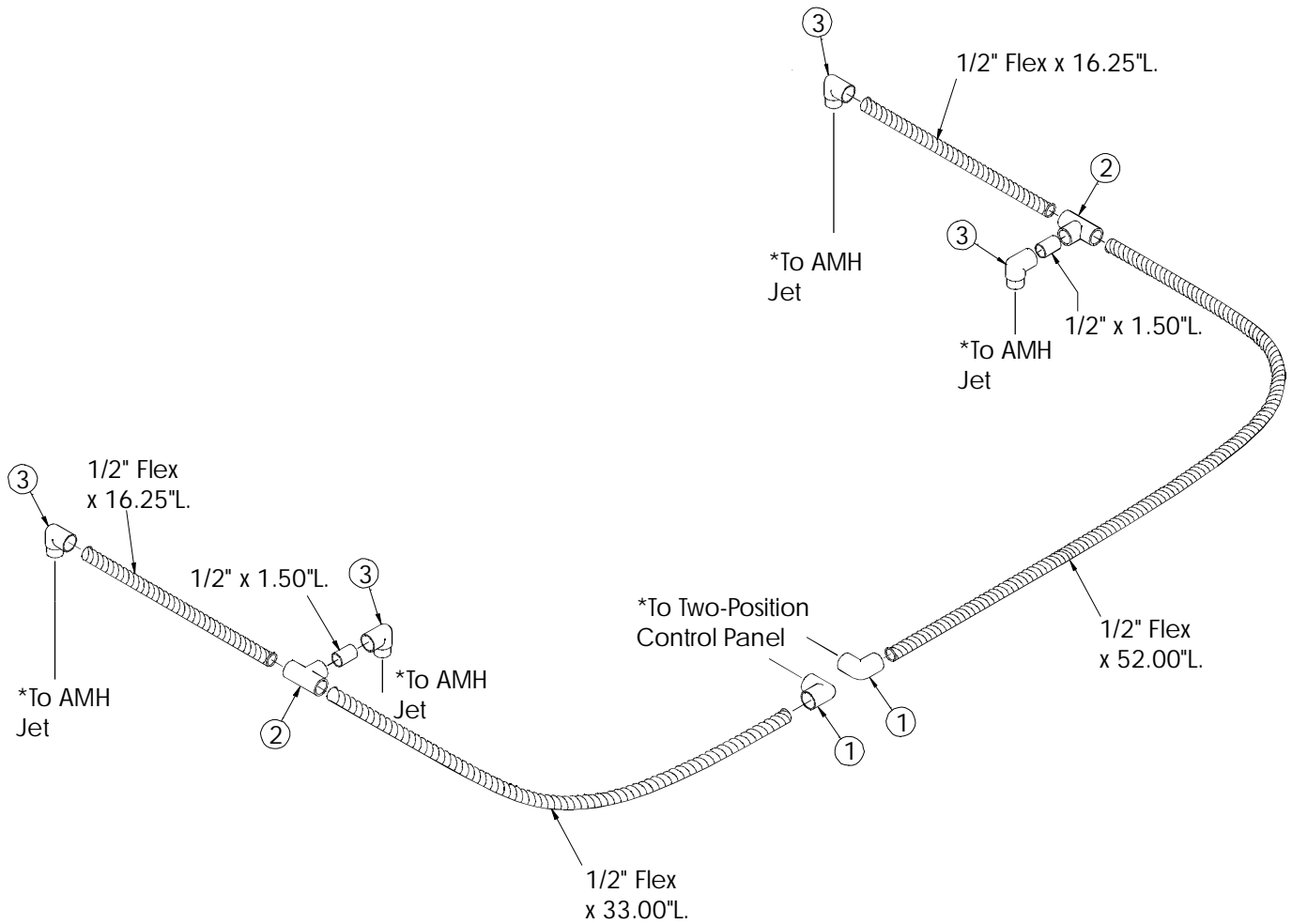


ITEM	P/N	DESCRIPTION	QTY
1	9250000	Repair Kit, Union Adapter	1
2	9231000	O-Ring, Union	1
3	0426000	Ell, 90, 2", S x S	1
4	3044000	Compression Ftng, 90 Ell, .25"	1
5	0828000	Tee, 2" S x S x S	1
6	0473000	Bushing, Rdcng. 2" x 1 1/2" SPIG x Slip	1
7	2902000	Restrictor, Flow-1.19 I. D.	1
8	0851000	Coupling, 2" S x S	1
9	0167000	Tee, 1 1/2", S x S x S	1
10	0239000	Ell, 90, 1 1/2", S x S	2
11	7355000	Bushing, Rdcng, 1 1/2" x 3/4" SPG x Slip	1
12	6933000	Adapter, .75" Slip x FPT	1
13	4657000	Hose Bibb	1
14	3054000	Compression Ftng, Straight, .25"	2
15	4649000	Tube, .25" OD Flex Nylon x 96.00"L.	1
16	3064000	Bushing, Rdcng, 1/2" x 1/8" SPIG x FPT	1
	4330000	Check Valve, 3 PSI	1

AIR LINE PIPING

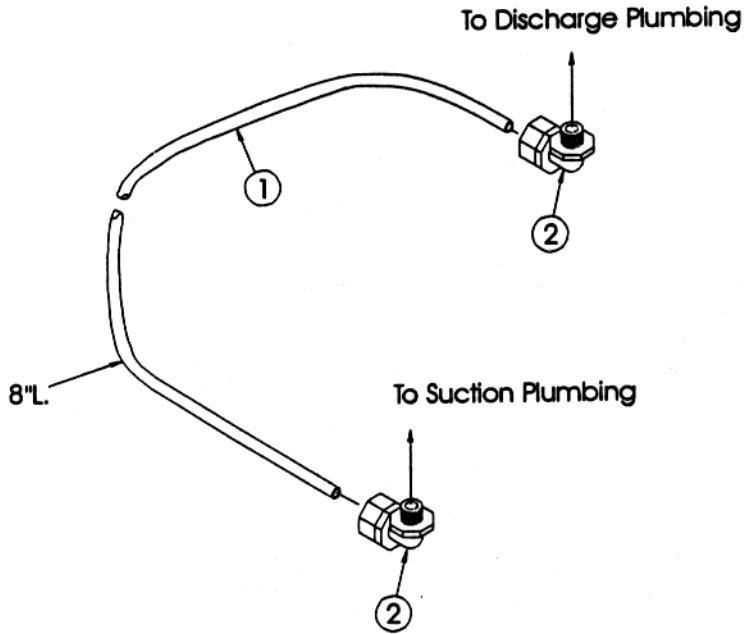
NOTES: Apply flex PVC primer to flex PVC prior to bonding with flex PVC cement. Sch. 40 PVC piping is shown for reference only and is not available from Jacuzzi Whirlpool Bath.

*See General Spa Parts Catalog



ITEM	P/N	DESCRIPTION	QTY
1	0436000	El, 90, 1/2", S x S	2
2	0455000	Tee, 1/2", S x S x S	2
3	7164000	El, Street, 1/2", 90	4

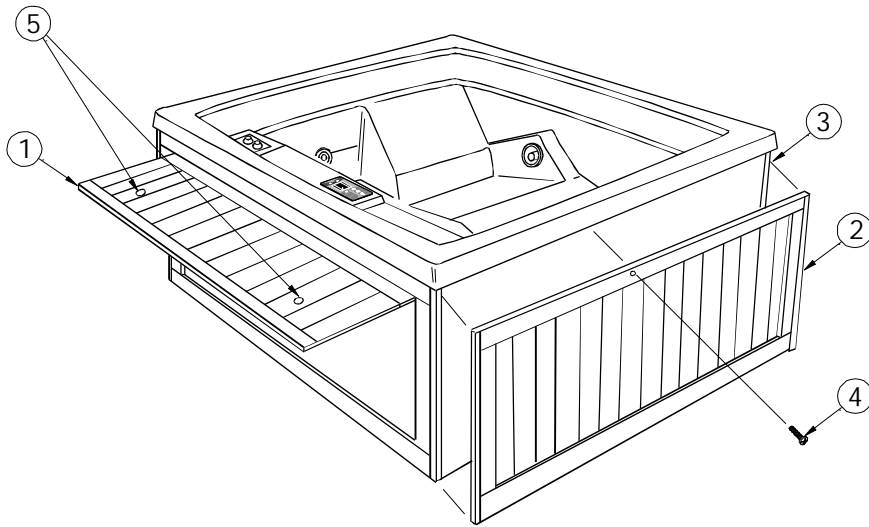
VENT/DRAIN ASSEMBLY



NOTE: To install compression fitting(s), drill 5/16" dia. through hole in appropriate fitting and tap for 1/8 NPT.

ITEM	P/N	DESCRIPTION	QTY
1	4649000	Tube, .25" O.D., Flex Nylon x 96.00"L.	1
2	3044000	Compression Fitting, 90 Ell	2

SKIRT ASSEMBLY



ITEM	P/N	DESCRIPTION	QTY
1	6745000	Skirt Assy, W/Door, 70 x 27	1
2	6746000	Skirt Assy, Side, 63 x 27	2
3	6747000	Skirt Assy, Back, 70 x 27	1
4	5303837	Screw, Drywall, #6-8 x 1.63"L.	24
5	9144000		



Z110

MODEL #F511000 ISSUE DATE: 7/95

OTHER ITEMS AVAILABLE

F798000
D827000

Spa Cover Assy, 66 x 72
Auxiliary Heater Bypass Kit

PRODUCT SPECIFICATIONS ARE SUBJECT TO CHANGE WITHOUT NOTICE.
USE INSTALLATION INSTRUCTIONS SUPPLIED WITH PRODUCT.

Jacuzzi Whirlpool Bath has obtained applicable code (standards) listings generally available on a national basis for products of this type. It is the responsibility of the installer/owner to determine specific local code compliance prior to installation of the product. Jacuzzi Whirlpool Bath makes no representation or warranty regarding, and will not be responsible for any code compliance.

JACUZZI WHIRLPOOL BATH

Jacuzzi Whirlpool Bath National Headquarters
P.O. Drawer J, Walnut Creek, CA 94596 (510) 938-7070
Service Support: (800) 288-4002

©Copyright 1995 Jacuzzi Whirlpool Bath G885000 7/95

Printed in the U.S.A.