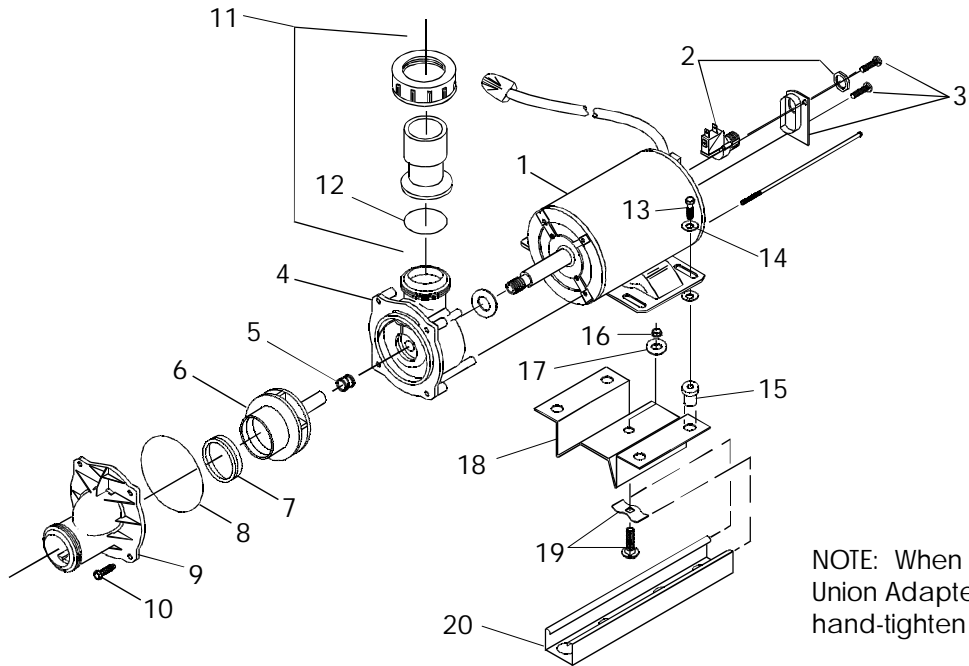


**ASTERIA COMPANY  
GENERAL BATH  
PARTS CATALOG**

# BATHS

## J-PUMP/MOTOR ASSEMBLY



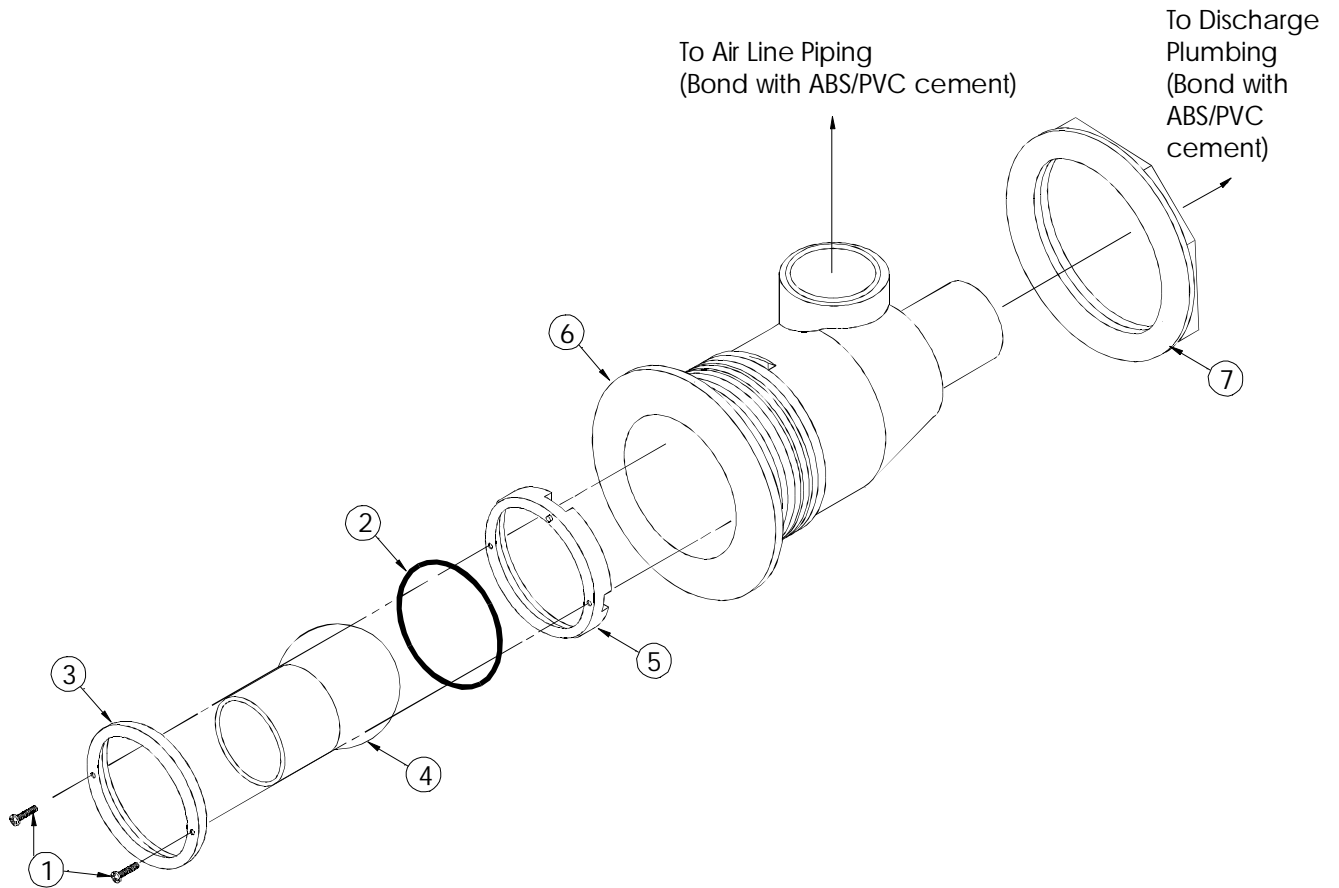
NOTE: When installing Union Adapter(s) hand-tighten only.

ITEM	P/N	DESCRIPTION	QTY
1	C049000	Motor Assy, Low, W/Cord & Switch	1
2	7396000	Switch, SPDT, 21 Amp, Air Actuated	1
3	E698000	Enclosure, Air Switch	1
4	F156000	Bracket, J-Light	1
5	9245000	5/8" Mechanical Seal	1
6	9221000	Impeller, Low, J-Pump	1
7	9243000	Eye Seal	1
8	9246000	O-Ring	1
9	F157000	Suction Flange, J-Light	1
10	F158000	Screw, Hex, Wshr Hd, 1/4-14 x 1.00"L.	4
11	9250000	Repair Kit, Union Adapter	1
12	9231000	O-Ring, Union	1
13	3945832	Bolt, Hex, 1/4-20 x 1.00"L.	4
14	3982832	Washer, 1/4 Flt, Type A Pln Wd Ser	8
15	9216000	Wellnut, Rubber, 1/4-20	4
16	4034832	Nut, Lockng Hd Kep Type, 1/4-20	1
17	4006832	Washer, 1/4 Flt, Type B Pln Wd Ser	1
18	9217000	Bracket, Motor	1
19	9214000	Stud Nut, 1/4-20 x 1.25"L.	1
20	9213000	Channel, 1.63 x .81 x 9.38	1

Item 2 is included with Item 1. Item 12 is included with Item 11. Items 2 and 12 can be ordered individually.

# BATHS

## BMH JET

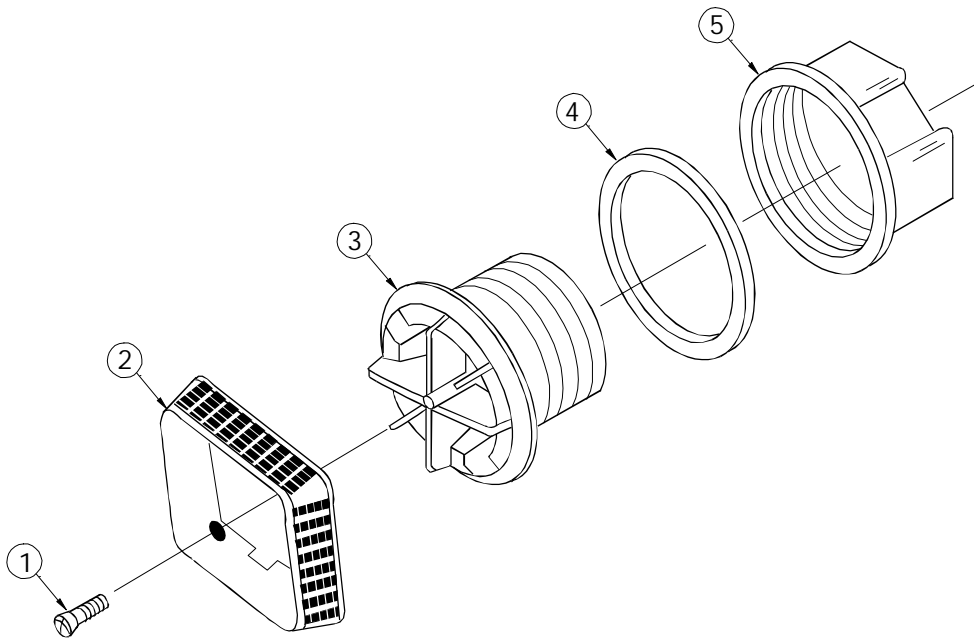


ITEM	P/N	DESCRIPTION	QTY
1	7514000	Screw, Thread Cutting, PHP #4	2
2	8488000	O-Ring, .926 I.D. x .070	1
3	8412XXX	Retainer, Nozzle-BMH	1
4	8413XXX	Nozzle, BMH	1
5	8487XXX	Internal O-Ring Seat	1
6	8411XXX	Body, BMH	1
7	8415000	Nut, BMH	1

XXX=Color Select

# BATHS

## SUCTION FITTING/COVER ASSEMBLY

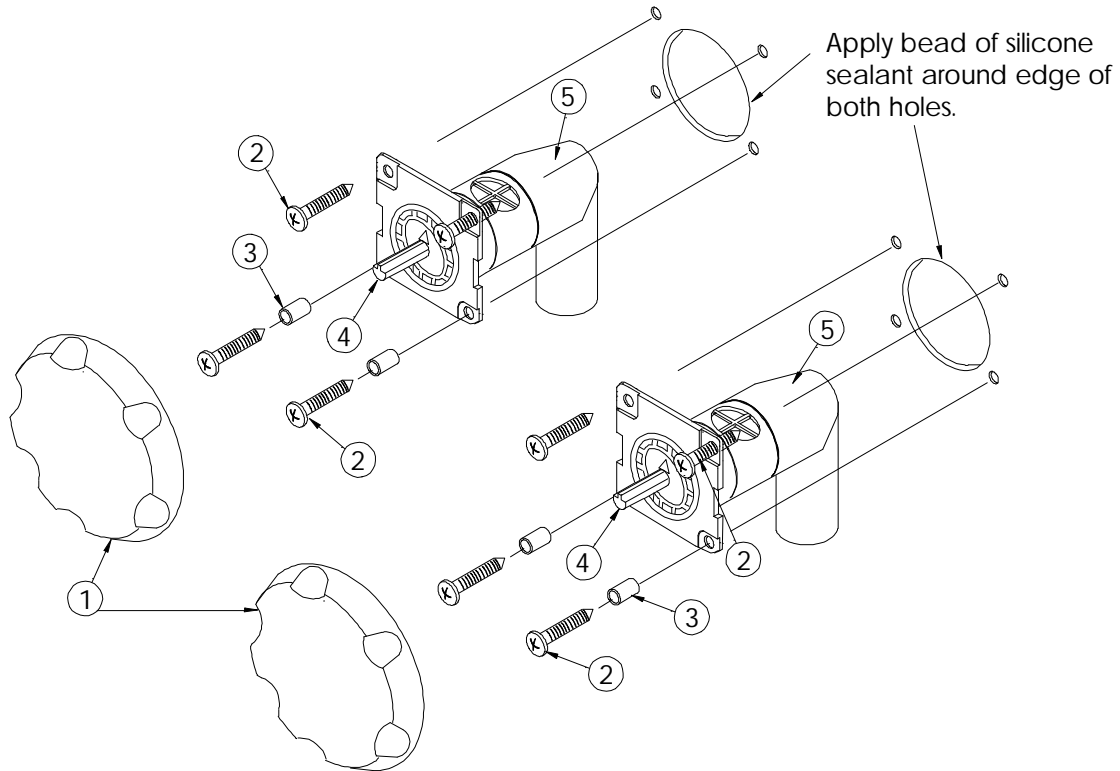


ITEM	P/N	DESCRIPTION	QTY
1	3959000	Screw, OHPM, #10-24 x 2" L.	1
2	6651xxx	Suction Cover/Gasket Assembly	1
3	1958000	Suction Fitting Sub-Assembly	1
4	2136000	Ring, Back-Up	1
5	1643000	Locknut, Suction Fitting	1

XXX=Color Select

# BATHS

## AIR CONTROL ASSEMBLY

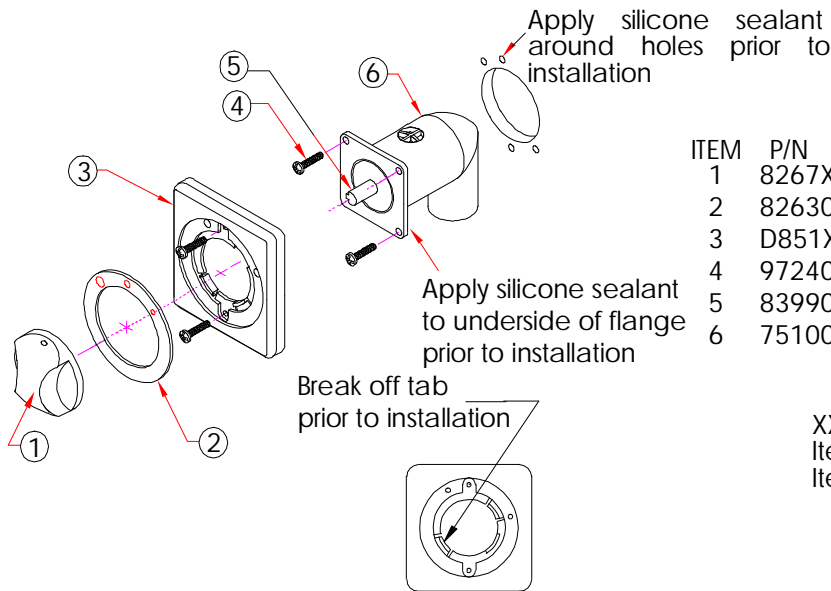


ITEM	P/N	DESCRIPTION	QTY
1	9774914	Air Control Knob, Almond	2
1	9774940	Air Control Knob, White	2
1	9774945	Air Control Knob, Silver	2
1	9774951	Air Control Knob, Shell	2
1	9774962	Air Control Knob, Dusty Orchid	2
2	9724000	Screw, Thread Cutting, 4-24 x .5"	8
3	9725000	Stand Off, Air Control Knob	4
4	8399000	Repair O-Ring/Valve Assembly	2
5	7510000	Air Control Valve Assembly	2

Item 4 is included with Item 5. Item 4 can be ordered individually.

# BATHS

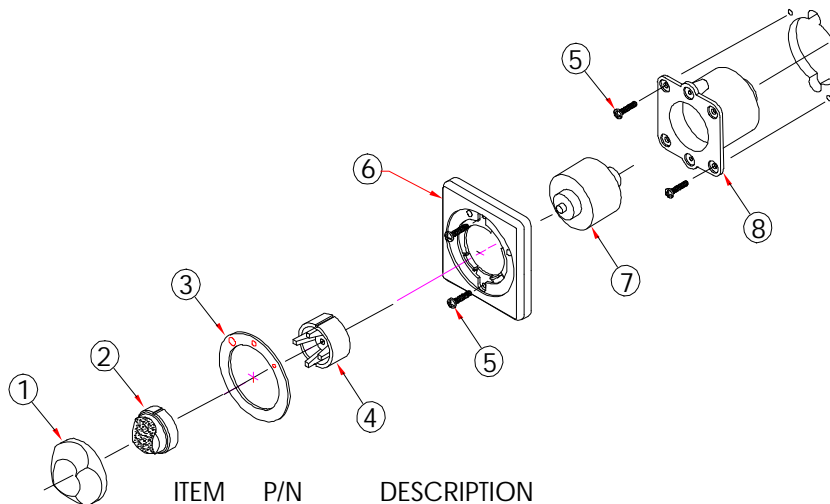
## ONE POSITION CONTROL PANEL (AIR CONTROL)



ITEM	P/N	DESCRIPTION	QTY
1	8267XXX	Knob, .25 Shaft, Assy	1
2	8263000	Ring, Graphic, Air	1
3	D851XXX	Panel, 1 Position	1
4	9724000	Screw, Thd Ctg. 4-24 x .5 Ty 25	4
5	8399000	Repair O-Ring/Valve Assy	1
6	7510000	Air Control Assy	1

XXX=Color Select  
 Item 5 is included with Item 6.  
 Item 5 can be ordered separately.

## ONE POSITION CONTROL PANEL (AIR ACTUATOR)



ITEM	P/N	DESCRIPTION	QTY
1	8247XXX	Bezel, Actuator	1
2	8246XXX	Button, Air Actuator	1
3	8262000	Ring, Graphic, ON-OFF	1
4	C842000	Guide, Air Actuator	1
5	9724000	Screw, Thd Ctg. 4-24 x .5 Ty 25	4
6	D851000	Panel, 1 Position	1
7	C377000	Bellows, Air Actuator	1
8	C841000	Cup, Air Actuator	1

# BATHS

---

## OTHER ITEMS AVAILABLE

9755XXX	Skirt Assy, 6' x 36" Bath
9745XXX	Skirt Assy, 5' x 32" Bath
E885XXX	Skirt Assy, 5' x 42" Bath
F958XXX	Skirt Assy, 6' x 42" Bath
9765XXX	Skirt Assy, 3 Piece, Corner Bath
E886XXX	Skirt Assy, 6' x 48" Bath
4213000	Timer Assy, Clear Anodized
4214000	Timer Assy, Gold Anodized

XXX=Color Select

PRODUCT SPECIFICATIONS ARE SUBJECT TO CHANGE WITHOUT NOTICE.  
USE INSTALLATION INSTRUCTIONS SUPPLIED WITH PRODUCT.

Asteria Bath Company has obtained applicable code (standards) listings generally available on a national basis for products of this type. It is the responsibility of the installer/owner to determine specific local code compliance prior to installation of the product. Asteria Bath Company makes no representation or warranty regarding, and will not be responsible for any code compliance.

---

ASTERIA BATH COMPANY  
P. O. Drawer J, Walnut Creek, CA 94596 (510) 938-7070  
Customer Service: Call (800) 288-4002