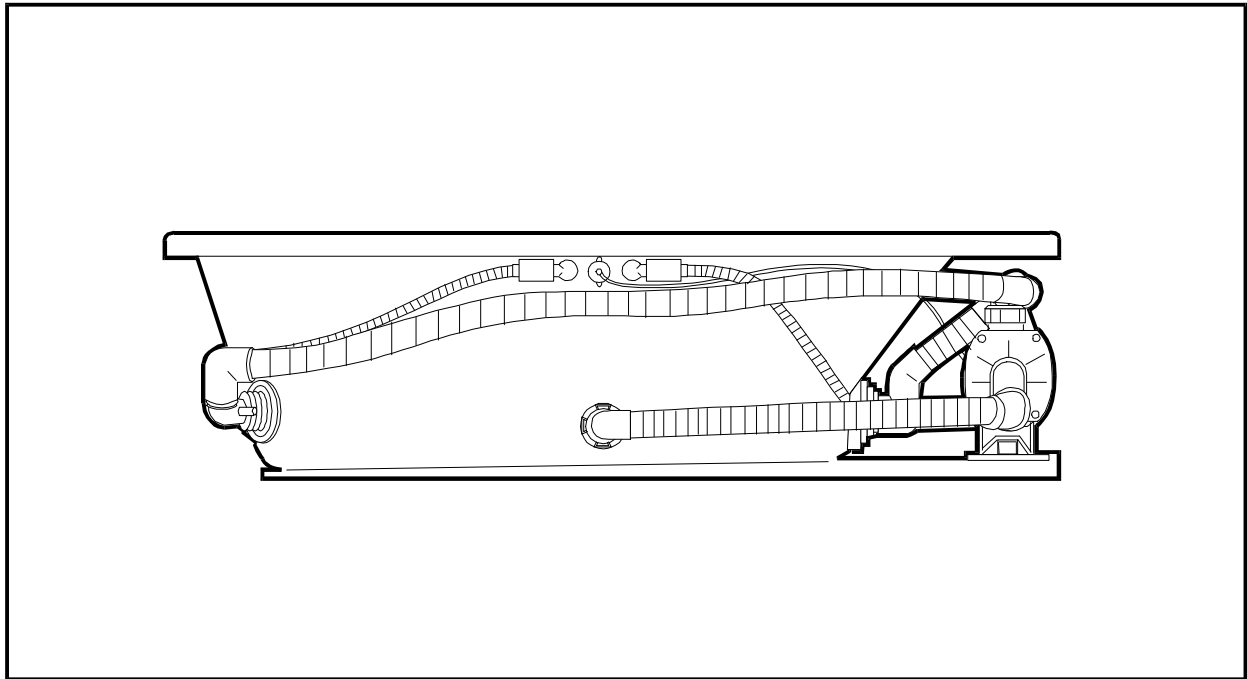




The AMIGA™ Whirlpool Bath



PARTS CATALOG

MODEL #6760000
MODEL #9240000
ISSUE DATE: 11/94
CATALOG #7043000D

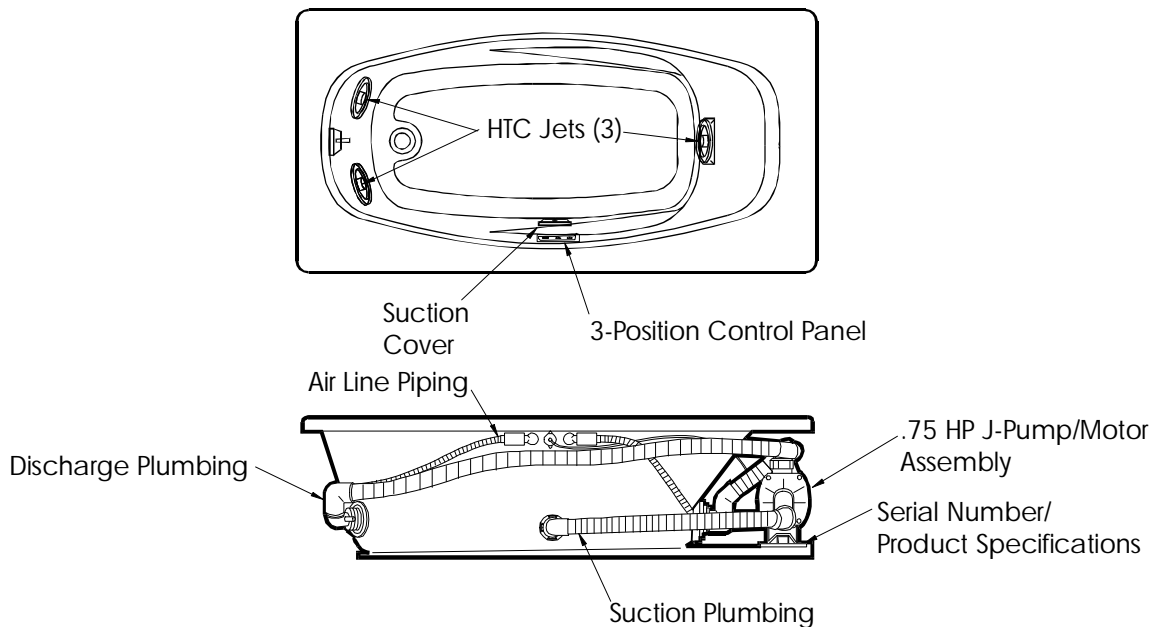
Discharge Plumbing _____	1
Suction Plumbing _____	2
Air Line Piping _____	3
3-Position Control Panel _____	4

See General Bath Parts Catalog for information on the following:

- J-PUMP/MOTOR ASSEMBLY
- SUCTION FITTING/COVER ASSEMBLY
- OTHER ITEMS AVAILABLE
- FAUCET VALVE
- LAMP/TRANSFORMER/ACTUATOR ASSEMBLY
- HTC JET
- HTA JET
- DRAIN/OVERFLOW
- TIMER ASSEMBLY

TO ORDER

Order by part number unless otherwise noted. Quantities shown in this catalog indicate the number of items required. When ordering, specify the quantity needed.



LEVEL 1: .5 HP Motor/Pump Assembly with white pump; Air Control Panel with square knobs located on inside of bath shell; 3 HTA Jets.

LEVEL 2: .75 HP Motor/Pump Assembly with black pump; J-Box mounted on suction plumbing; Serial Plate/Product Specification Plate mounted on shell behind pump; 2-Position Control Panel mounted horizontally on inside of bath shell; 3 HTA Jets.

LEVEL 3: .75 HP Motor/Pump with black pump ; Three-Position Control Panel mounted horizontally on inside of bath shell; 3 HTC Jets; Serial Number/Product Specification Plate mounted on pan by pump.

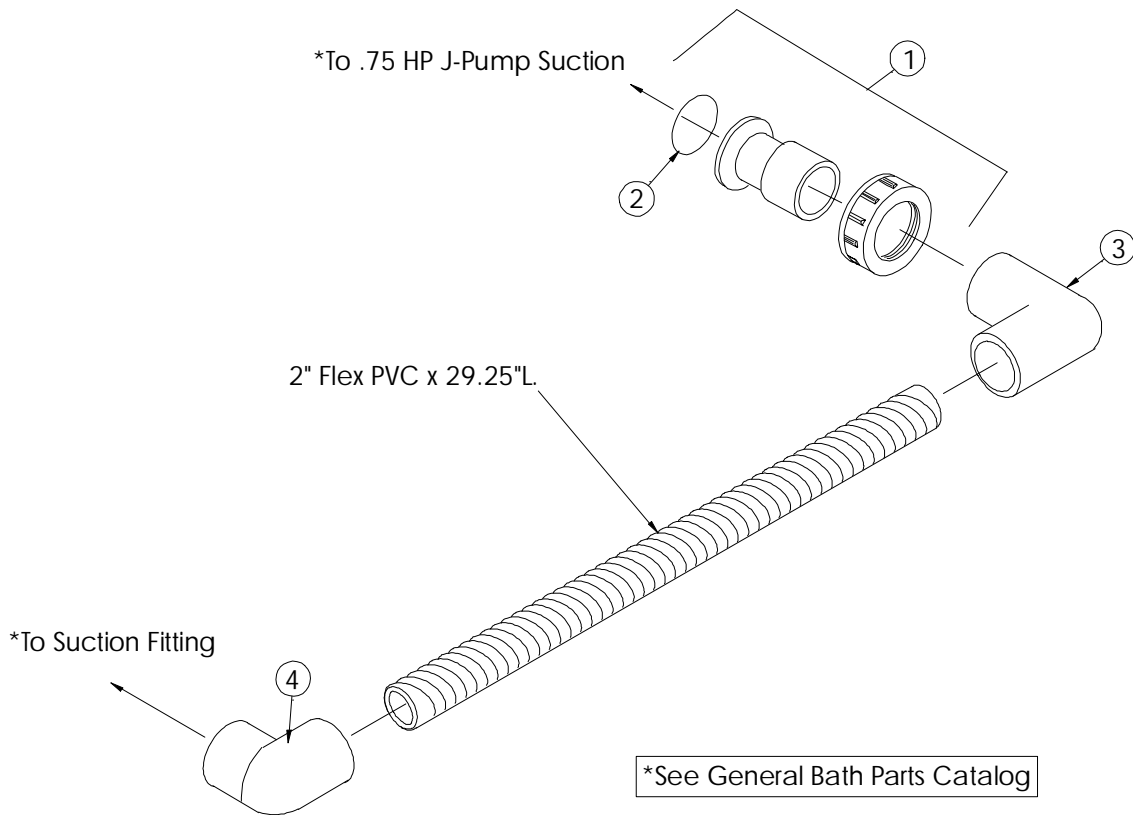


AMIGA

MODEL #6760000
 MODEL #9240000
 ISSUE DATE: 11/94

SUCTION PLUMBING

NOTE: Apply flex PVC primer to flex PVC prior to bonding with flex PVC cement.



ITEM	P/N	DESCRIPTION	QTY	
1	9250000	Repair Kit, Union Adaptor	1	
2	9231000	O-Ring, Union	1	
3	0426000	El, 90, 2", S x S	1	
**	4	B072000	El, Drain Down, RH	1
***	4	B071000	El, Drain Down, LH	1

** Used on LH Amiga Units

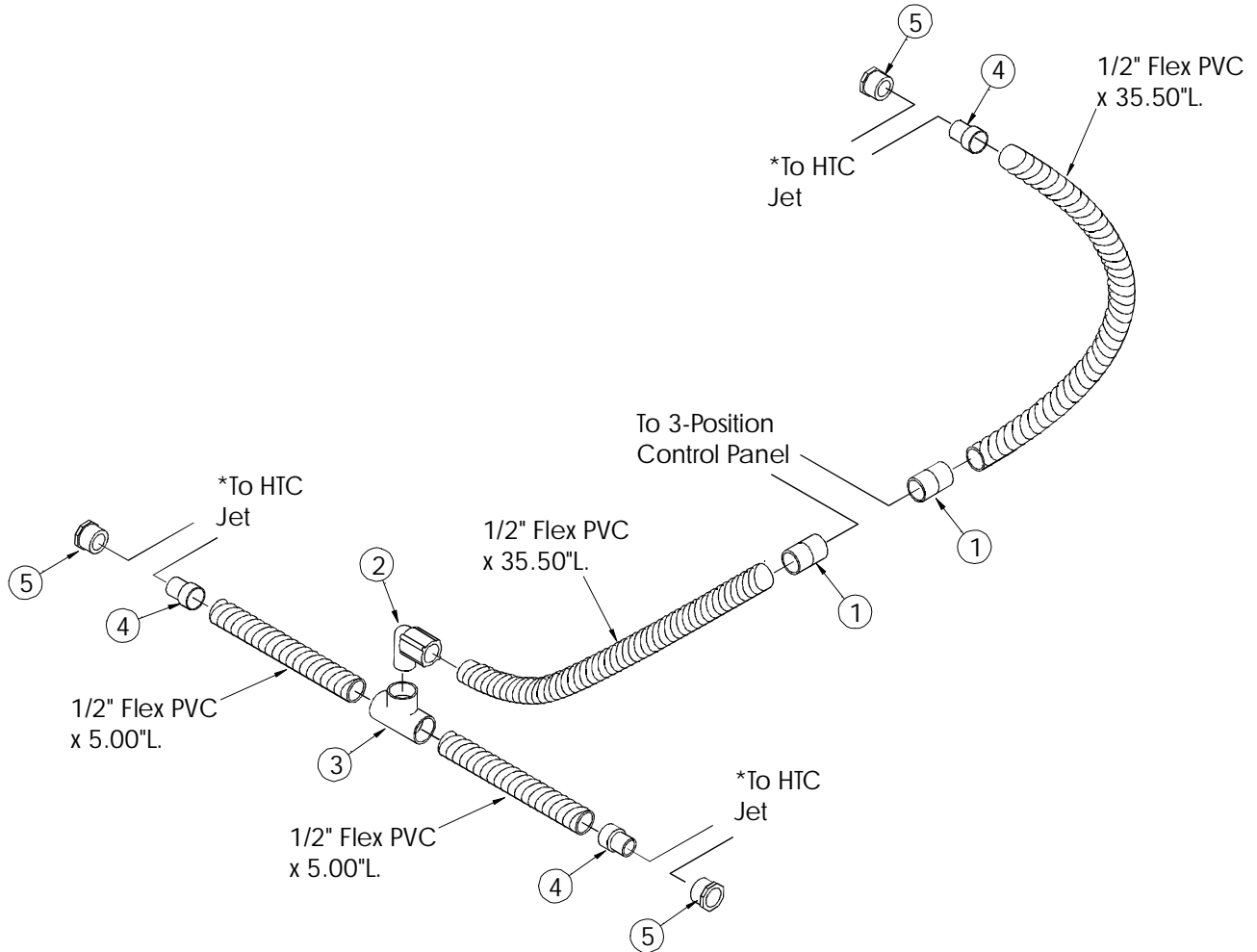
***Used on RH Amiga Units



AMIGA

MODEL #6760000
 MODEL #9240000
 ISSUE DATE: 11/94

AIR LINE PLUMBING



*See General Bath Parts Catalog

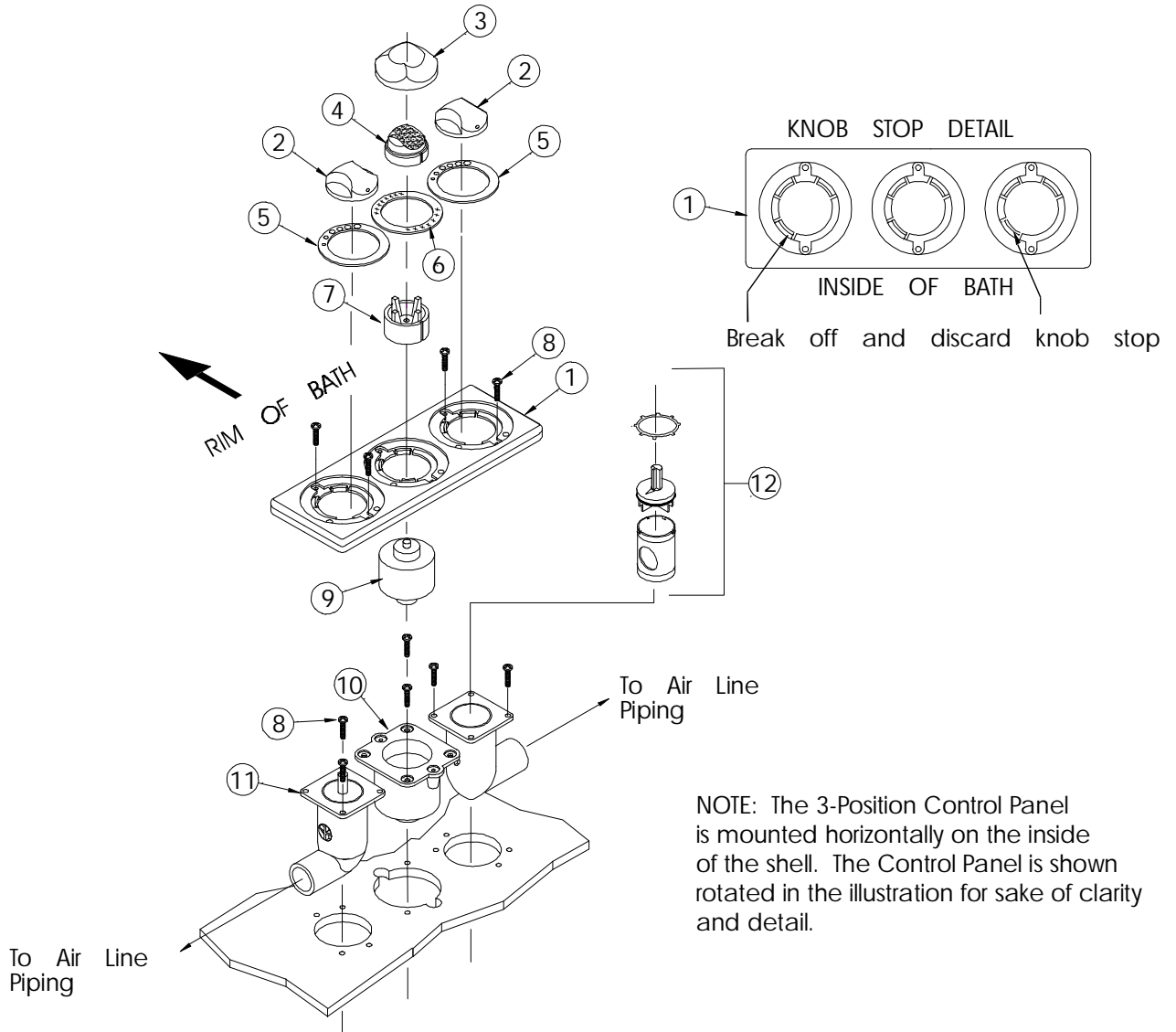
ITEM	P/N	DESCRIPTION	QTY
1	0647000	Coupling, 1/2", S x S	2
2	7164000	El, Street, 1/2", 90	1
3	0455000	Tee, 1/2" S x S x S	1
4	C279000	Adapter, 1/2" S x SPGT	3
5	B777000	Plug, 1/2" SPIG	3



AMIGA

MODEL #6760000
 MODEL #9240000
 ISSUE DATE: 11/94

3-POSITION CONTROL PANEL



ITEM	P/N	DESCRIPTION	QTY
* 1	9224xxx	Panel, 3-Position	1
2	8267xxx	Knob, .25 Shaft Assembly	2
3	8247xxx	Bezel, Actuator	1
4	8246xxx	Button, Air Actuator	1
5	8263000	Ring, Graphic Air	2
6	8262000	Ring, Graphic, ON-OFF	1
7	C842000	Guide, Air Actuator	1
8	9724000	Screw, Thd Ctg, 4-24 x .5	10
9	C377000	Bellows, Air Actuator	1
10	C841000	Cup, Air Actuator	1
11	7510000	Air Control Assembly	2
** 12			2

* xxx=Color Select

** When Item 11 is ordered, Item 12 is included. Item 12 can be ordered separately.

PRODUCT SPECIFICATIONS ARE SUBJECT TO CHANGE WITHOUT NOTICE.
USE INSTALLATION INSTRUCTIONS SUPPLIED WITH PRODUCT.

Jacuzzi Whirlpool Bath has obtained applicable code (standards) listings generally available on a national basis for products of this type. It is the responsibility of the installer/owner to determine specific local code compliance prior to installation of the product. Jacuzzi Whirlpool Bath makes no representation or warranty regarding, and will not be responsible for any code compliance.

JACUZZI WHIRLPOOL BATH

Jacuzzi Whirlpool Bath National Headquarters
P.O. Drawer J, Walnut Creek, CA 94596 (510) 938-7070
Service Support: (800) 288-4002

©Copyright 1994 Jacuzzi Whirlpool Bath 7043000D 11/94

Printed in the U.S.A.