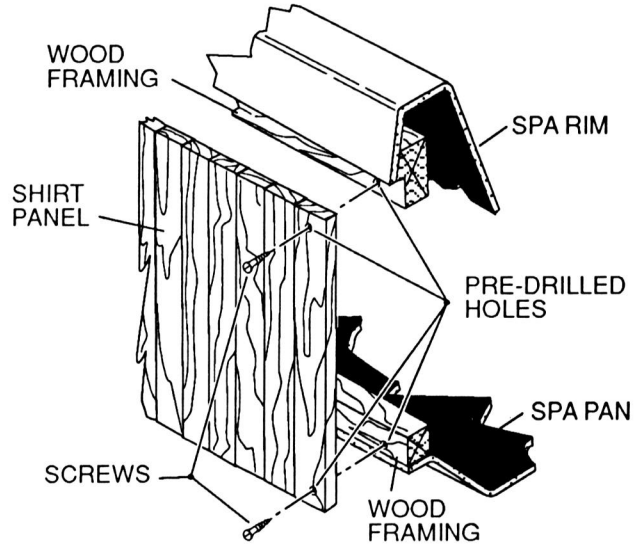


# Instructions for Attaching Skirt Panels

Once your spa has been moved to its final position, install the skirt panel(s) with the spa according to instructions below.

1. Unwrap the skirt panels.
2. Notice the label marked "TOP" on the inside edge of the panel and position the panel so the label rests against the wood framing at the rim of the spa shell.
3. Align the pre-drilled holes in the panel with the holes in the wooden rails on the spa.
4. Insert the screws provided into the screw holes and tighten with a #2 Phillips screwdriver. Drive screws until flush with the skirt, and do not over-tighten.

**Note:** Any irregularity found in the contour of the wooden staves of the skirt is a natural characteristic of the wood.



©1991

B092000 B 10/94



Printed on Recycled Paper

Printed in the U.S.A.