



Spa Ozone Generator Installation Instructions

Your "ozone-ready" spa is designed for easy field conversion to an ozone generator system. You will need:

A. M025000 Complete Ozone Conversion Kit

or

B. M024000 Plumbing Kit plus an ozone generator of your choice.

Contents of Plumbing Kit:

- One (1) 3/4" slip coupling PVC
- One (1) ozone generator mounting board
- Tie wrap straps
- One (1) ozone injector assembly
- One (1) tie wrap anchor
- Screws, #10x1" (8)
- Nuts, #10 hex locking (8)
- Washers, #10 flat (8)

Instructions:

1. Turn OFF electrical power and drain the spa.
2. Temporarily remove the equipment access skirt panel and other skirt panels as required for access to the plumbing.
3. Cut off and discard the PVC caps at the end of each length of flex PVC pipe as shown in Figure 1.

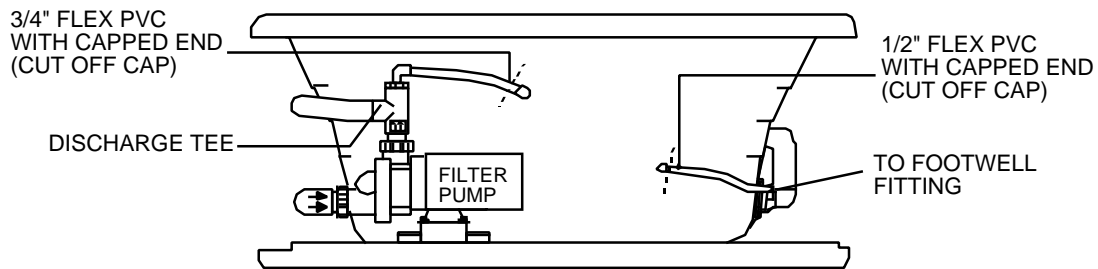
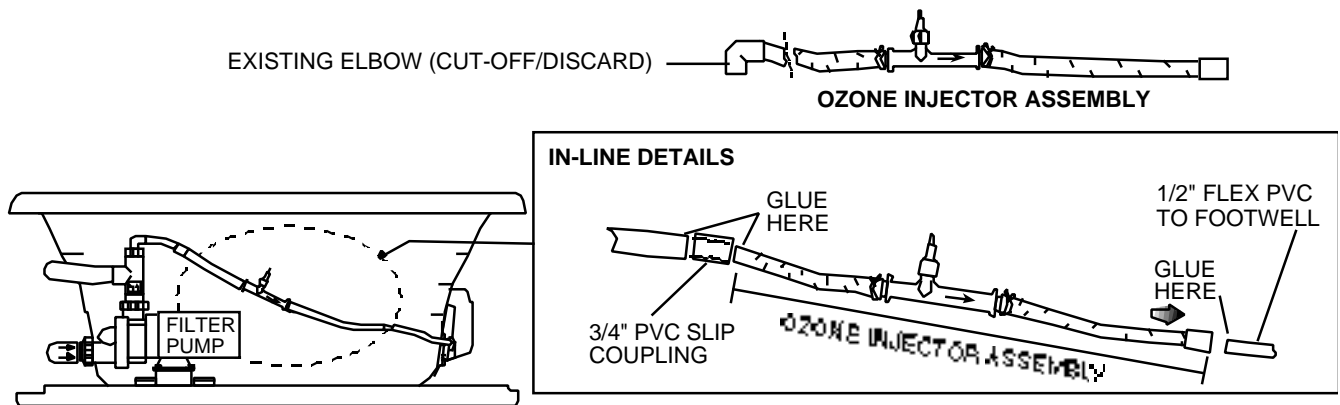


FIGURE 1 - "OZONE-READY" SPA BEFORE CONVERSION (SKIRTS REMOVED)

(Some items not shown for clarity)

4. Glue the 3/4" PVC slip coupling from the plumbing kit to the cut end of the flex pipe connected to the TEE fitting at the filter pump discharge. Use a PVC cement suitable for **flexible** PVC pipe.
5. Cut off and discard the 90° elbow fitting from the end of the ozone injector assembly. Glue this assembly in place between the 3/4" coupling and the cut end of the 1/2" flex PVC from the foot well fitting. The injector assembly flex pipe length is optimized for mass transfer of ozone into the water. Do **not** change the length of the injector pipe assembly downstream of the red ozone indicator. Observe the "proper orientation" of the red ozone injector; make sure the molded-in arrow symbol points downstream to the footwell fitting. See Figure 2.



(NOTE: Flow arrow on injector points downstream to footwell.)

FIGURE 2 - OZONE INJECTOR LINE CONVERSION

(OVER)

- Install the ozone generator according to the manufacturer's instructions. Attach the ozone generator mounting board to the electrical cabinet, using the #10 screws, washers and nuts (4 each) provided. Several commercially available ozone generators will fit easily in this location. Attach the ozone generator to the board using the #10 screws, washers and nuts provided. See Figure 3.

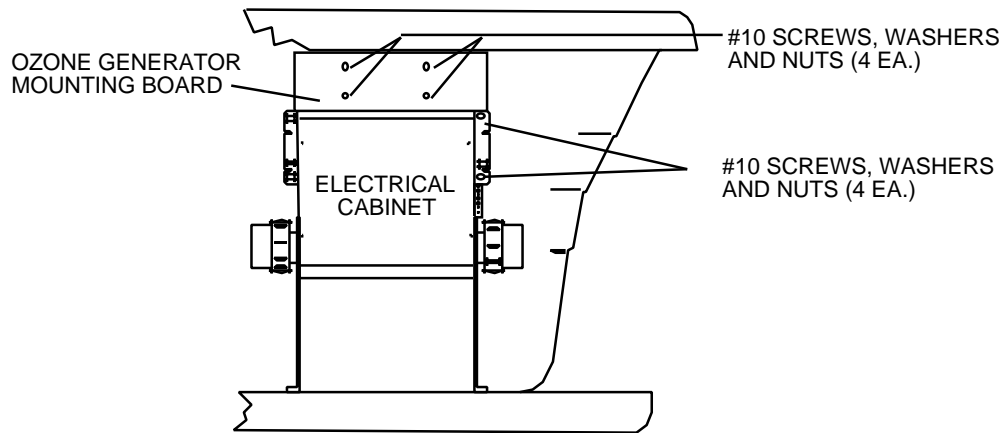


FIGURE 3 - MOUNTING BOARD

- Attach the vinyl tubing (supplied with the ozone generator) between the ozone generator outlet port and the ozone injector inlet. Form the extra length of ozone tubing into two or more loops 6"-12" in diameter. Position the top of the loops in a maximum height position, up underneath the spa rim. To secure the loops in this position, glue the anchor provided to the underside of the spa rim and attach the loops with the tie wrap strap. Follow the manufacturer's instructions for the adhesive used. It may be necessary to scrape insulating foam away from a small area under the rim to glue the anchor in place. A two-part epoxy adhesive designed for gluing fiberglass to plastic may be used; for example, LOCTITE DURO™, MASTER MEND®, EPOXY TM51, or other suitable adhesive.

NOTE: If the ozone generator or ozone tubing includes a check valve, make certain it is correctly oriented and correctly functioning before installation. The check valve should permit gas flow **from** the ozone generator **to** the ozone injector. See Figure 4.

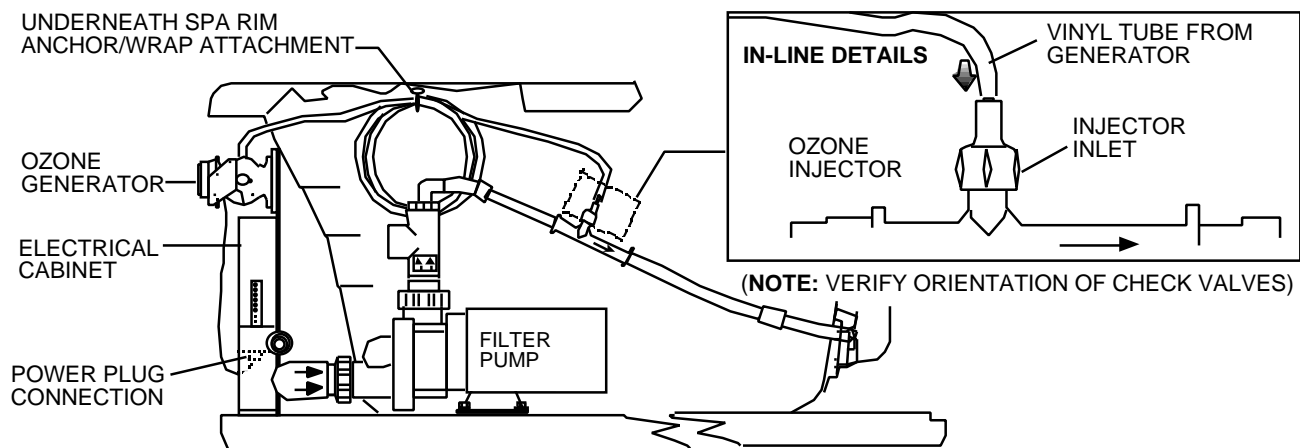


FIGURE 4 - OZONE GENERATOR VINYL TUBING

- Refill spa with water to fill mark on skimmer frame. Check for leaks.
- Plug the ozone generator power cord plug into the socket labelled "ozone" on the bottom of the spa electrical cabinet.
- Turn on circuit breaker for power to the spa system. Test the GFCI for proper operation.
- Operate the spa and recheck for leaks.
- Reinstall the access skirt panel(s).

