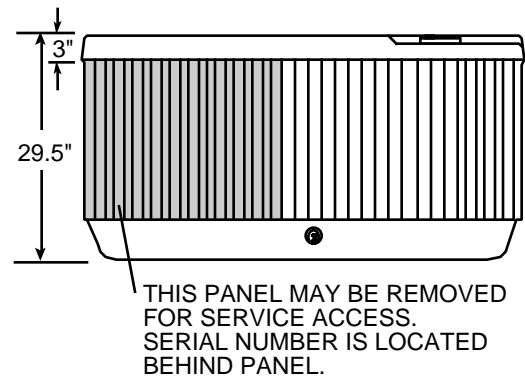
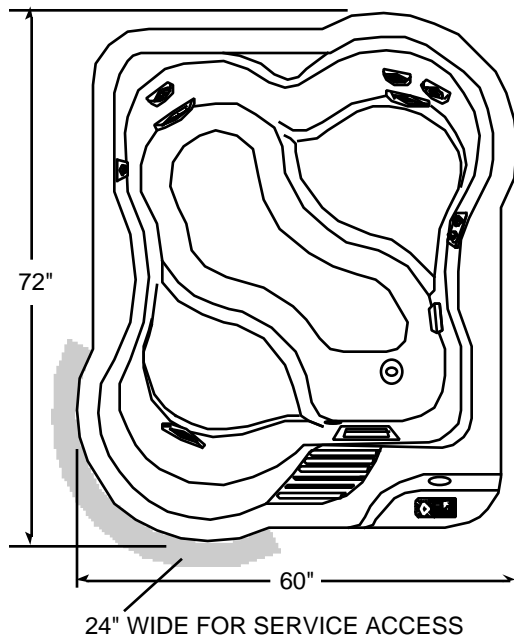


The Alexa Whirlpool Spa Specifications

DIMENSIONS	ELECTRICAL REQUIREMENTS*	TOTAL WEIGHT/ FLOOR LOADING	OPERATING GALLONAGE	PRODUCT WEIGHT	SHIPPING WEIGHT
72" (1829 mm) L 60" (1524 mm) W 29.5" (749mm) H	115 VAC, 20 AMP, 60 Hz Equipped with GFCI Incorporated in Line Cord Requires Dedicated Separate Circuit	1965 lb (889 kg) 65.5 lb/sq. ft. (320 kg/m ²)	158 U.S. gal (586 liters)	349 lb (159 kg)	510 lb (232 kg)

Product specifications are subject to change without notice.

*Unit may be field converted to 230 VAC, 50 AMP, GFCI protected separate circuit.



All necessary equipment of the spa is mounted within the perimeter of the shell, so the spa is easy to install. You can locate the spa just about anywhere you wish—on a deck, patio, or even indoors. Be sure to position it above ground in an area with good drainage, and on a level, continuous surface which can support the approximate total weight including the spa, water and people. Refer to owner's manual for specific installation instructions.

Access to the spa's equipment must be provided for service and general maintenance.

(OVER)

Electrical Conversions

Your spa, as it comes from the factory, requires a 115 VAC, 20 AMP, electrical service with copper conductors, and must be in a separate circuit having no other appliance connected in that circuit. If you do not have this kind of circuit, a qualified electrician should be called in to install the necessary wiring. Inadequately sized wiring may cause a malfunction and bring about permanent damage to the spa's electrical system. The circuit must also have a ground wire in order to take advantage of the designed-in safety features of the spa. A bond wire must also be used. Bond according to procedure described in the owners manual.

CAUTION: Without proper grounding and bonding, a system malfunction may cause fatal shock.

To increase the heating capability of your spa's heater and convert the output from 1.25kW to 5.5 kW (21 AMP), your spa can be hard-wired on-site in approved conduit (or with approved power cable) to operate at 230 VAC, 50 AMPS. This requires a separate GFCI protected circuit which will not be shared by any other appliance. We recommend that this rewiring be done by a qualified electrician. A wiring diagram is provided on the inside the electrical cabinet adjacent to the terminal block. When this conversion to 230 VAC has been made, any combination of operating modes is possible, including having the heater on when the whirlpool mode is activated. Also, the heat up rate will be approximately four times greater.

To convert to 230 VAC, 50 AMP operation:

1. Turn OFF 20 AMP breaker at main electrical panel.
2. Open the skirt door access panel.
3. Loosen and remove 4 screws securing the electrical cabinet cover and set them aside.
4. Loosen screws at bottom side of terminal block and remove power cord cable clamp. Remove and discard GFCI power cord. Refer to Figure 1.
5. Install 230 VAC 4-wire power cord in accordance with local code requirements. Insert the wires into the bottom side of the terminal block and tighten the screws. Refer to Figure 1.
6. Loosen the screw on the top side of the terminal block. Move the red wire from position 1 to position 4. Tighten the screw. Refer to Figure 1.
7. Move the jumper at circuit board location J8 from 20A position to 50A position. Refer to Figures 1 and 2.
8. Replace electrical cabinet cover and tighten screws. Refer to Figure 3.
9. Make sure spa is filled with water to proper level. Turn ON 50 AMP GFCI breaker at the main electrical panel.
10. Test GFCI for proper operation.

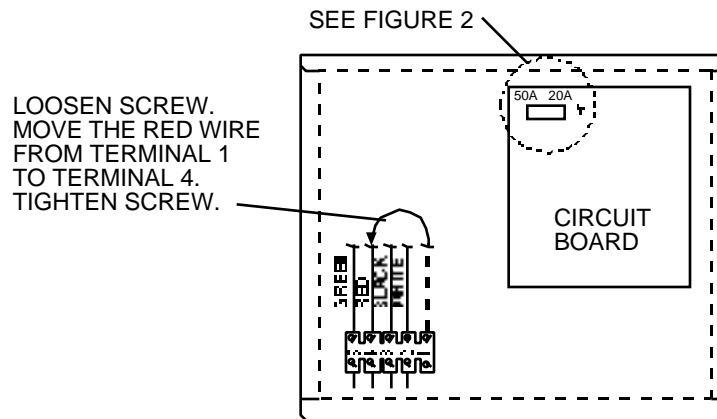


FIGURE 1

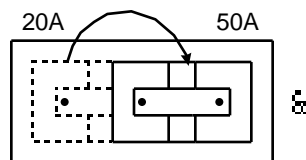


FIGURE 2

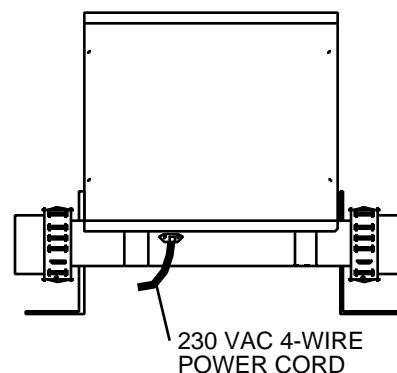


FIGURE 3

