



## Optional Heater for the Aero Plus INSTALLATION INSTRUCTIONS

**Read all instructions before beginning conversion.**

A gas or electric heater is available from your Jacuzzi Whirlpool Bath dealer for use on your spa as an optional feature and additional heat source offering a faster temperature rise than the integrated electric heater provided on the spa. We recommend that the heater selected have a rating of less than 160,000 BTU's.

Converting to an optional heater will involve some electrical wiring, providing a gas line, and modifications to the spa plumbing and to the redwood skirt. We recommend that you hire a qualified spa installer to perform this conversion if you are not equipped to do so.

**IMPORTANT:** Locate the heater at least 5 ft. but not more than 20 ft. (maximum plumbing run) from the spa; make sure the base of the heater is on the same level as the base of the spa. Refer to the manufacturer's installation instructions for proper placement and clearance around the heater as well as specific plumbing and electrical details.

### IMPORTANT

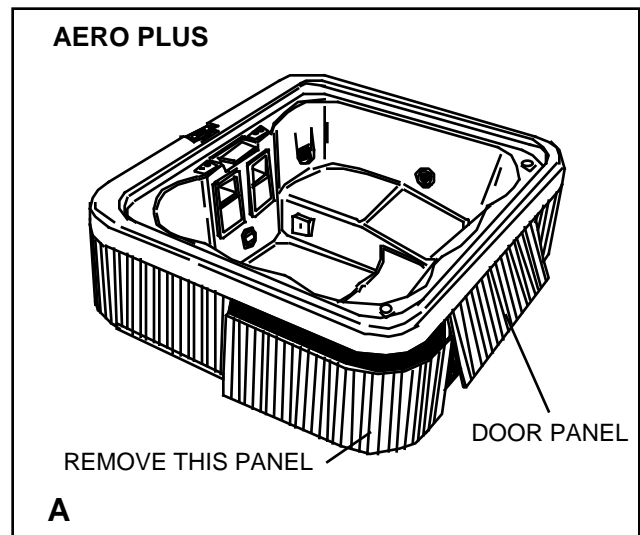
**Proper installation of an optional heater and compliance with local codes is the responsibility of the installer. Jacuzzi Whirlpool Bath does not warrant optional heaters or connections of optional heaters, nor is it responsible for damage to the spa which occurs during any installation procedure. See gas heater manufacturer's warranty packed with the heater.**

### Preparation:

1. Unplug the spa power cord, or turn off power to the spa at the main service panel if the spa is converted to 230 VAC.
2. Drain the spa.
3. Remove the panel shown in Illustration A and the insulation pillow.

### Installing the Heater

4. Prepare the optional heater installation site according to the heater manufacturer's instructions. Make sure the heater is located so the interconnecting piping between the spa and the heater will pass through the panel just removed in step 3.
5. Interconnecting piping between the heater and the spa should be 2" minimum. Sch. 40 PVC. We recommend that you use at least 4 feet of 1-1/2" copper pipe at both the inlet and the outlet connections on the heater. **Use as few fittings and bends as possible, and avoid any vertical or elevated**



**horizontal piping configurations which would trap air.** If a chlorinator is to be used, install a check valve, and install chlorinator in the return line from the heater to the spa. Follow chlorinator manufacturer's instructions.

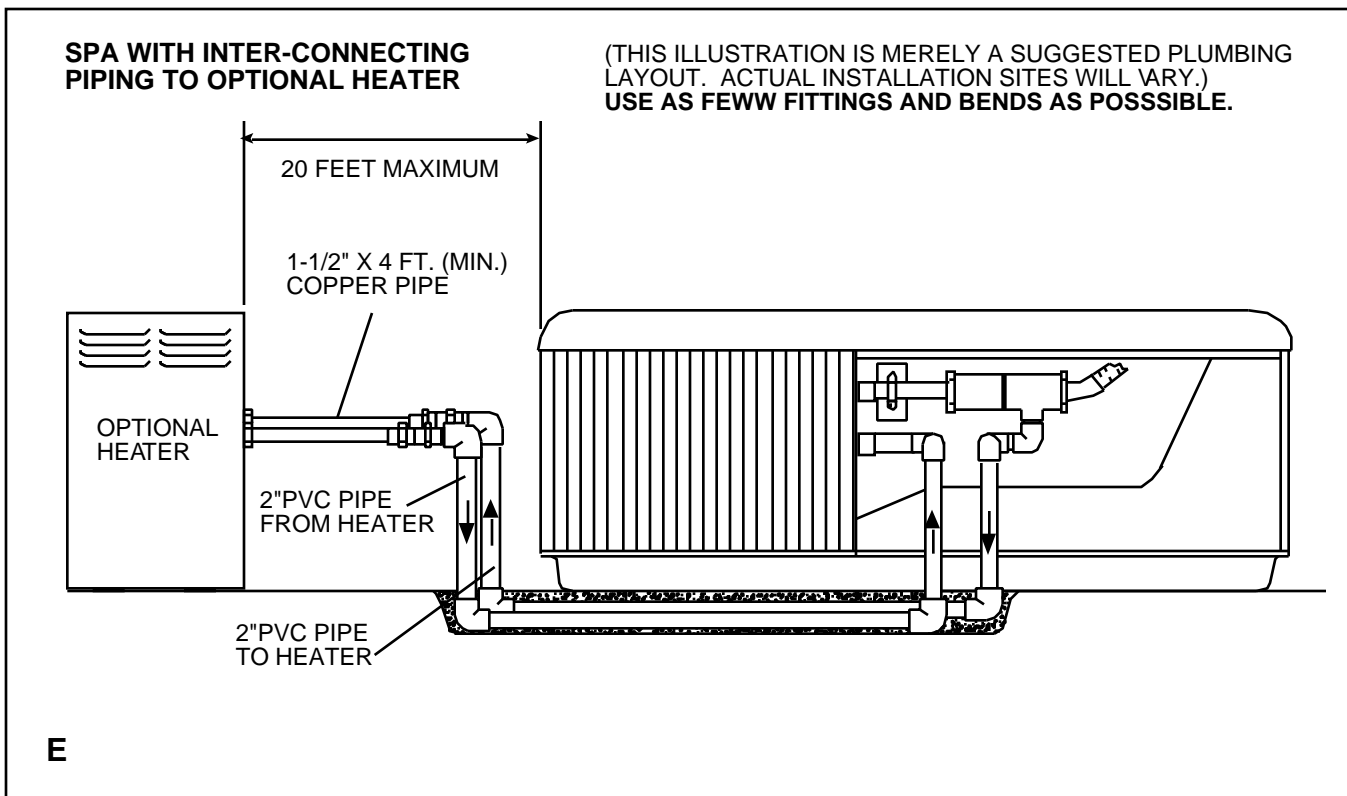
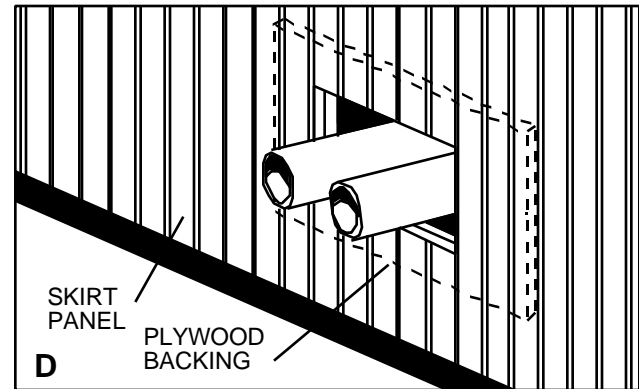
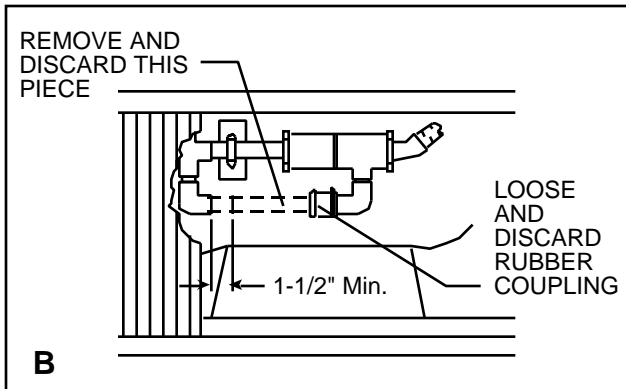
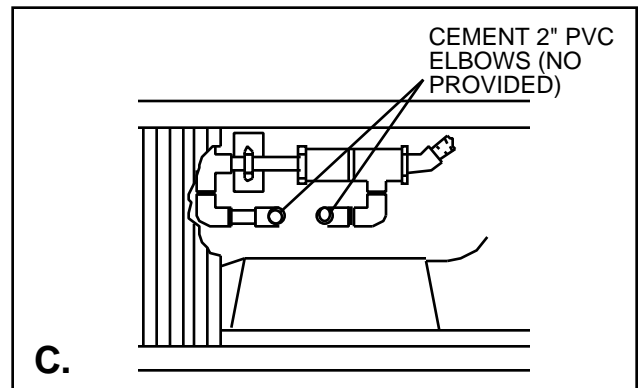
6. Starting at the optional heater, **dry fit** the piping up to the spa. (See Illustrations .)
7. Cut the pipe between the two 90° elbows (as shown in illustration B) leaving at least 1 1/2" of pipe connected. Install two 2" 90° elbows as shown in illustration C. Add 2 short lengths of PVC pipe from

the elbows to extend approximately 6" beyond the skirt panel. **Cement into place at this time.**

8. Before completing plumbing from the optional heater to the plumbing on the spa, reinforce the inside of the skirt panel removed in step 3 with a 12" x 12" x 3/8" sheet of plywood at the point where the piping will pass through. Secure the plywood to the inside of the skirt with short nails and waterproof construction adhesive. After the glue has set, cut a hole in the skirt and the plywood large enough to accommodate both pipes. See Illustration D.

9. Reinstall the insulation and skirt panels.

10. Complete plumbing to spa from heater. We recommend that interconnecting plumbing be attached with rubber couplings just outside the hole in the skirt to allow future removal of the skirt when necessary.



## Operation

1. Fill the spa with water.
2. Turn on the power to the spa at the main service panel.
3. Follow the steps below to establish the maximum setting for your optional heater so the water temperature will not exceed the maximum water temperature of the spa thermostat. **Jacuzzi Whirlpool Bath does not recommend spa water temperatures in excess of 104 °F.**
  - A. Set the spa heater thermostat to its maximum setting. (See Operating Instructions.)
  - B. Select HEATER/FILTER mode.
  - C. Set the thermostat on the optional heater to maximum.
  - D. When the spa water reaches your preset temperature, the spa system will turn off. **Immediately** select FILTER ONLY at the spa control panel.
  - E. Turn the optional heater thermostat down until the optional heater turns off.

The optional heater now will not exceed the thermostat setting of the spa heater. For your safety, mark this point on the optional heater thermostat dial for future reference. **DO NOT INCREASE THE SETTING PAST THIS POINT. LOCK IN PLACE IF POSSIBLE.**

**CAUTION: In the JETS or FILTER mode, the spa water will heat to the highest temperature setting on the optional heater thermostat. In the HTR/FILTER mode, however, the spa thermostat alone governs the water temperature. To ensure that the water temperature will not exceed the desired temperature, adjust the optional heater thermostat according to step 3 above.**

5. If the optional heater is equipped with a pressure switch, adjust the pressure setting according to the manufacturer's instructions. The pressure switch is properly adjusted if the heater is operational when the filter pump and/or whirlpool pump is running.
6. Test the system for proper operation.

**PRODUCT SPECIFICATIONS ARE SUBJECT TO CHANGE WITHOUT NOTICE.  
USE INSTALLATION INSTRUCTIONS SUPPLIED WITH PRODUCT.**

Jacuzzi Whirlpool Bath has obtained applicable code (standards) listings generally available on a national basis for products of this type. It is the responsibility of the installer/owner to determine specific local code compliance prior to installation of the product. Jacuzzi Whirlpool Bath makes no representation or warranty regarding, and will not be responsible for any code compliance.

---

## **JACUZZI WHIRLPOOL BATH**

**Jacuzzi Whirlpool Bath National Headquarters**  
P.O. Drawer J, Walnut Creek, CA 94596 (510) 938-7070

Customer Service: Call (800) 288-4002



©Copyright 1988 Jacuzzi Whirlpool Bath 7105000 A 10/92



Printed on Recycled Paper

Printed in the U.S.A.