



ADDENDUM

U-Frame Modification (Amea 6)

The skirt frame for the Amea 6 must be modified for the frame and skirt to fit properly. Follow the modification instructions below.

FIGURE 1

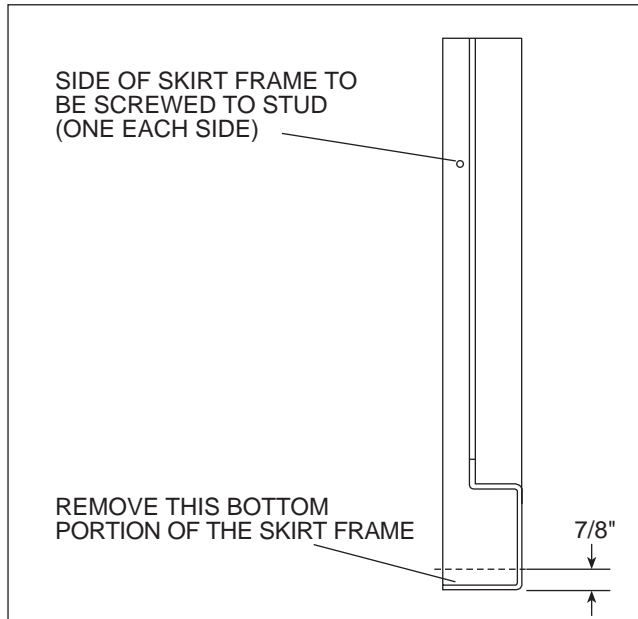
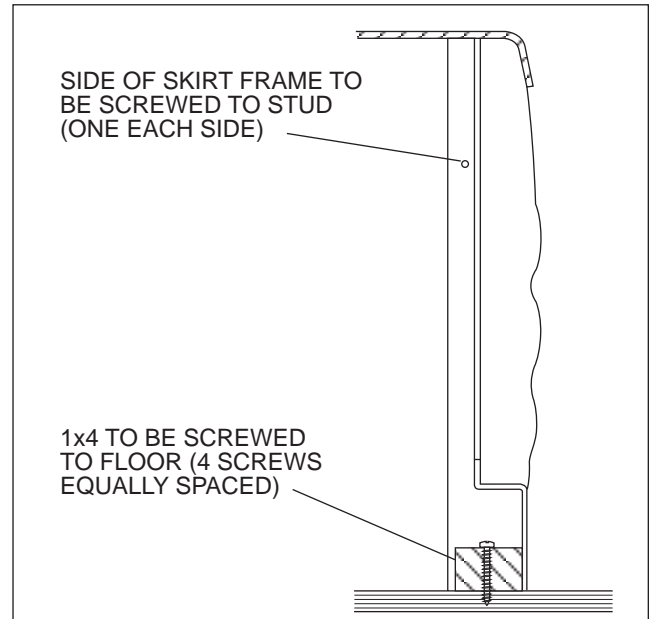


FIGURE 2



Measure 7/8" from the bottom of the skirt frame. Cut this amount off the entire length of the frame (a chalk line may be used as a guide). See Figure 1. Insert skirt frame under rim of bath corners. Make sure the bottom of the frame is against the floor. Push top of frame against the corners of the bath. Fasten sides to stud wall. Attach a 1x4 brace to floor on the inside and against the skirt frame with screws (not provided). See FIGURES 2 and 3.

FIGURE 3

