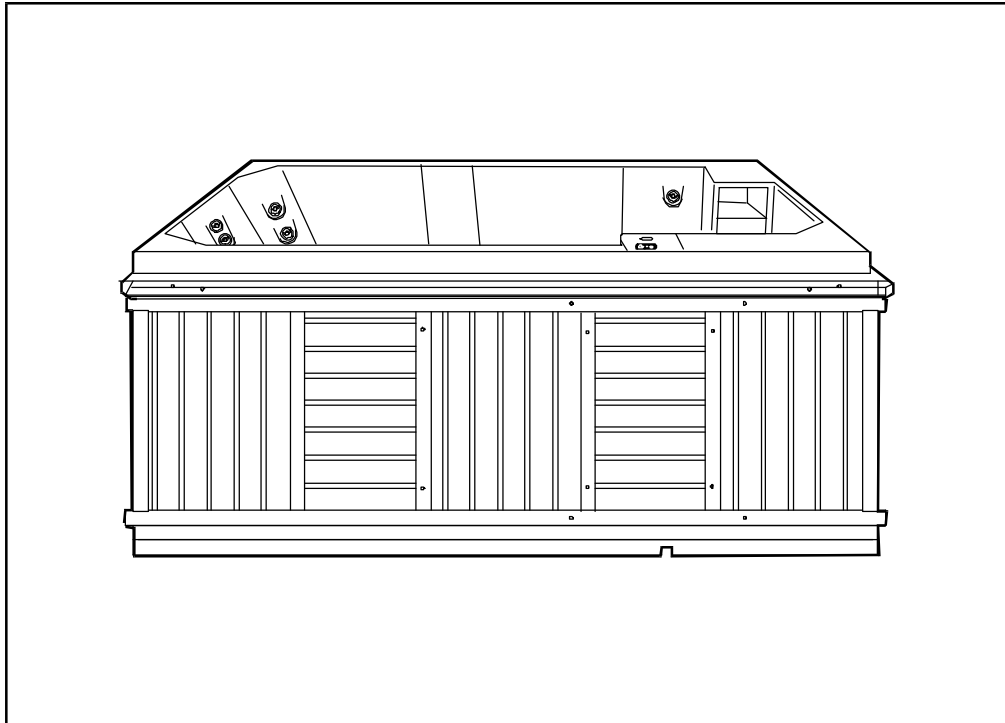




# The Z145/MODEL 345 Whirlpool Spa



## PARTS CATALOG

MODEL #H240000  
ISSUE DATE: 10/99  
CATALOG #J849000E

# CONTENTS

Z145/Model 345 Reference _____	1
Discharge Plumbing _____	2
Suction Plumbing _____	3
Air Line Piping _____	4
Skirt Assembly _____	5
Other Items Available _____	6

## TO ORDER

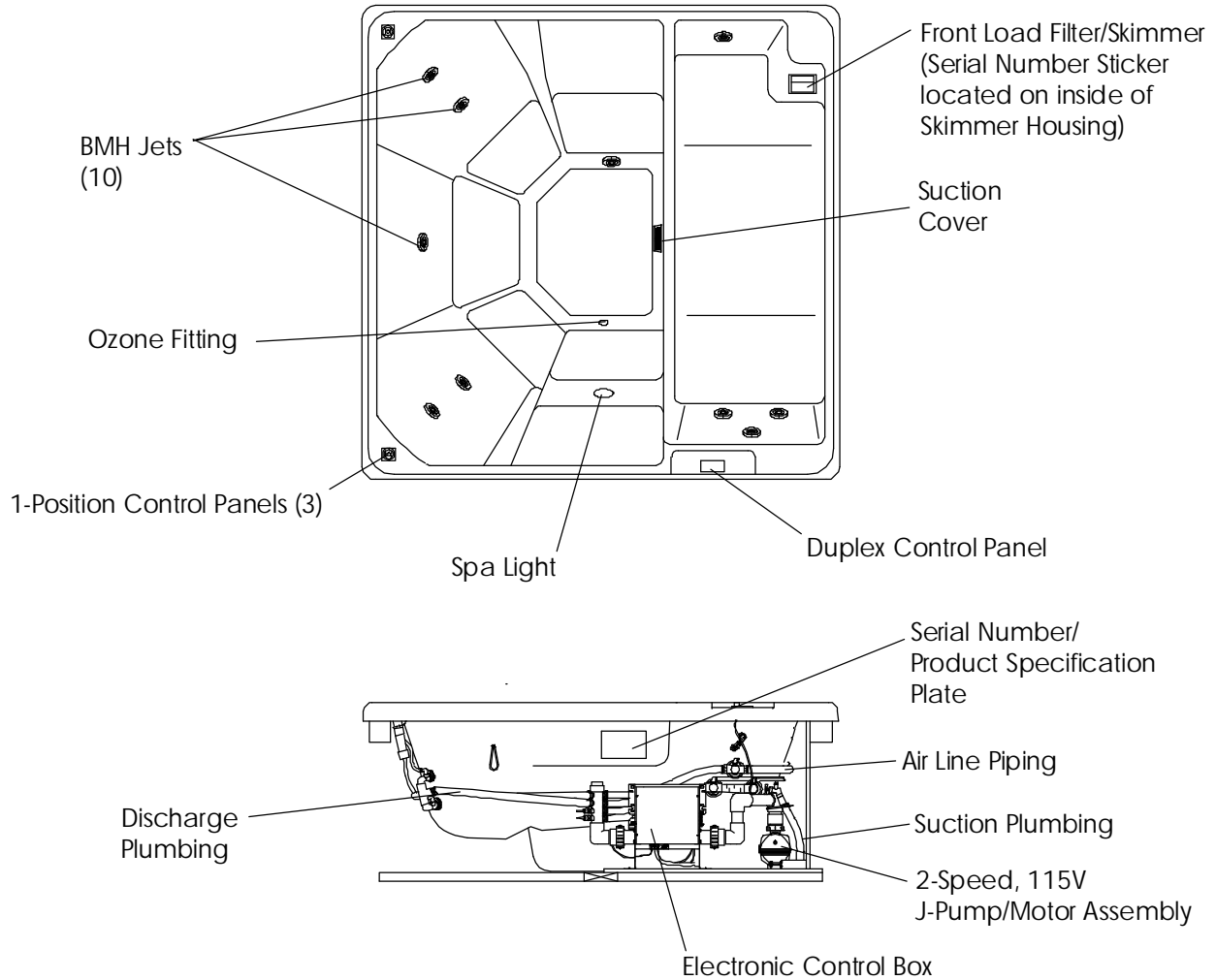
Order by part number unless otherwise noted. Quantities shown in this catalog indicate the number of items required. When ordering, specify the quantity needed.



# Z145/MODEL 345

MODEL #H240000  
ISSUE DATE: 10/99

REPAIR ASSEMBLIES ARE SHOWN/REFERENCED BELOW



See General Spa Parts Catalog for information on the following:

BMH Jet Assembly  
Front Load Filter/Skimmer Assembly  
Suction Cover  
Spa Light Fitting

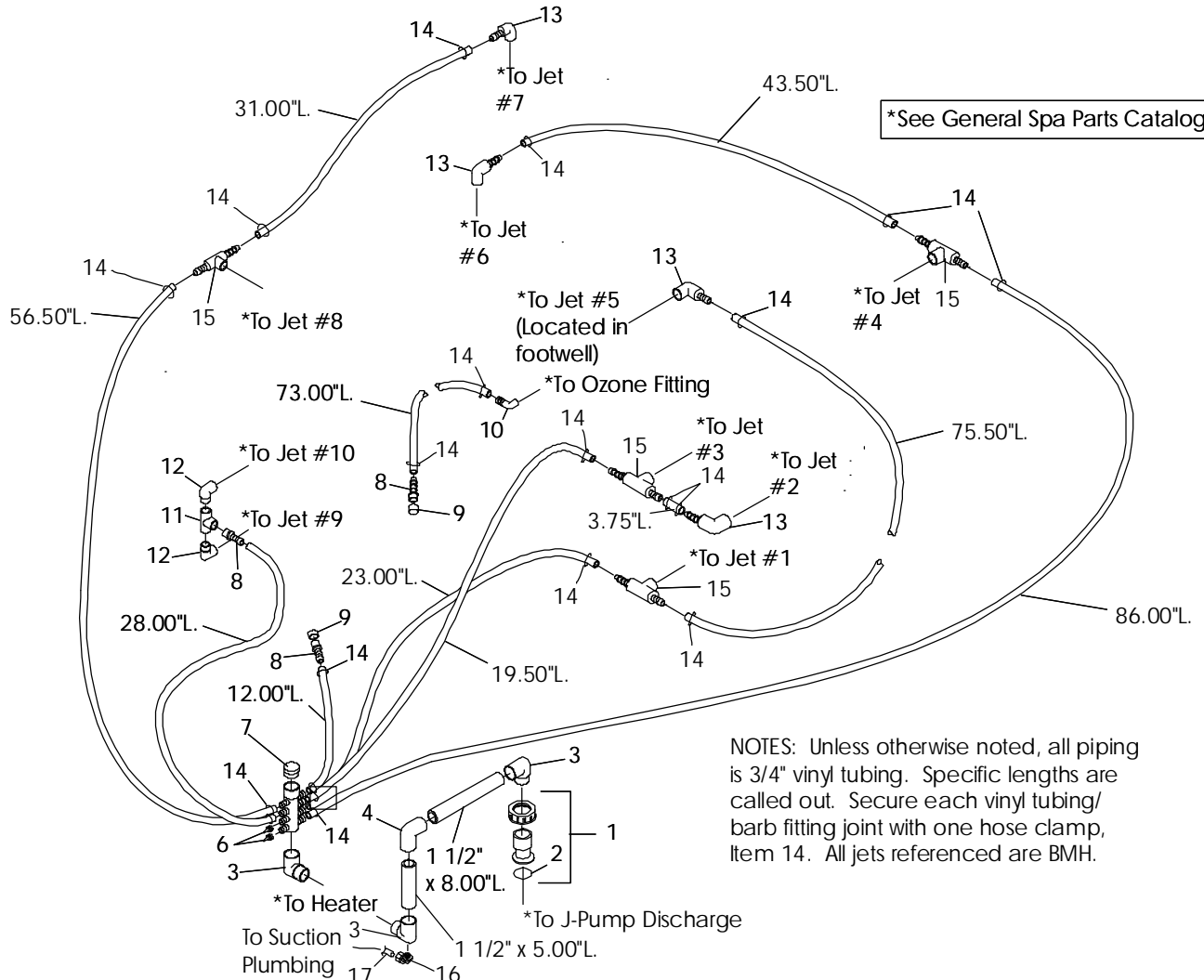
One-Position Control Panel  
J-Pump/Motor Assembly  
Electronic Control Box  
Ozone Dispersion Fitting



# Z145/MODEL 345

MODEL #H240000  
ISSUE DATE: 10/99

## DISCHARGE PLUMBING



\*See General Spa Parts Catalog

NOTES: Unless otherwise noted, all piping is 3/4" vinyl tubing. Specific lengths are called out. Secure each vinyl tubing/barb fitting joint with one hose clamp, Item 14. All jets referenced are BMH.

ITEM	P/N	DESCRIPTION	QTY
1	9250000	Repair Kit, Union Adapter	1
2	9231000	O-Ring, Union	1
3	0955000	El, 90, 1 1/2", Street x Slip	3
4	0239000	El, 90, 1 1/2" S x S	1
5	H197000	8 Port Manifold, 3/4 x 1 1/2	1
6	H202000	Plug, 3/4 Barb	2
7	H222000	Plug, 1 1/2" SPIG	1
8	H203000	Barb, 3/4 x SPG 3/4	13
9	F382000	Cap, 3/4, Slip	2
10	H205000	Barb, 3/4 90 x SPG 1/2	1
11	D360000	Tee, 3/4 x 3/4 x 3/4, S x S x S	1
12	7298000	El, 3/4 90, Street	2
13	P600000	Barb, El, 3/4 x 3/4 S x 1" SPIG, 90	4
14	J974000	Hose Clamp, Dual Wire, 3/4 Tube	20
15	P601000	Barb, Tee, 3/4 x 3/4 S x 1" SPIG	4
16	3044000	Compression Ftng, 90, El, 1/4"	1
17	4649000	Tube, 1/4" O.D. Flex Nylon x 96.00"L.	1

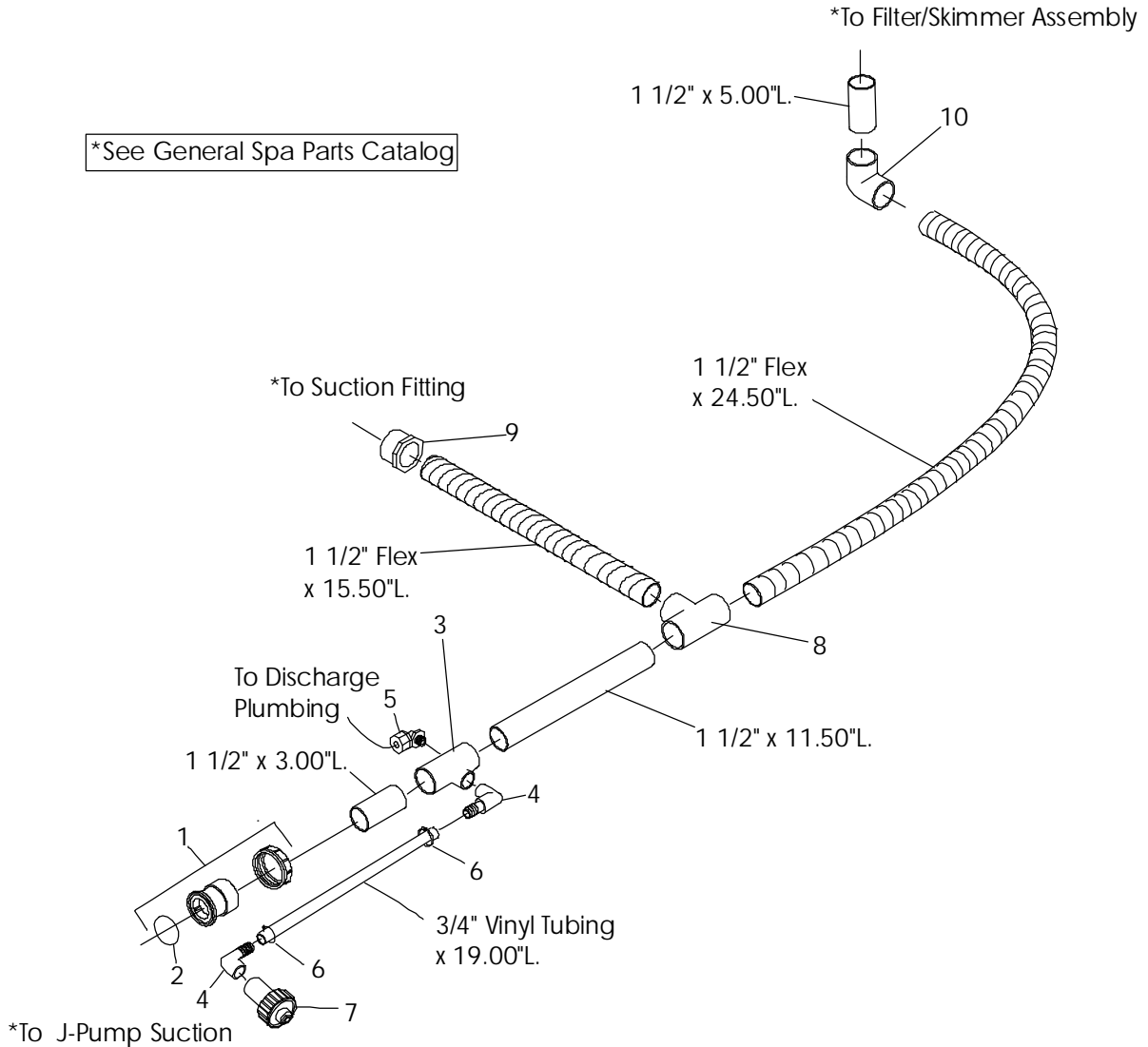


# Z145/MODEL 345

MODEL #H240000  
ISSUE DATE: 10/99

## SUCTION PLUMBING

\*See General Spa Parts Catalog



ITEM	P/N	DESCRIPTION	QTY
1	9250000	Repair Kit, Union Adapter	1
2	9231000	O-Ring, Union	1
3	7731000	Tee, Rdcng, 1 1/2" x 1 1/2" x 1", S x S x S	1
4	P600000	Barb, Ell, 3/4 x 3/4 S x 1" SPIG x 90	2
5	3044000	Compression Fng, 90, Ell, 1/4"	1
6	J974000	Hose Clamp, Dual Wire, 3/4 Tube	2
7	H999000	Drain Fitting, Spa	1
8	0167000	Tee, 1 1/2", S x S x S	1
9	0473000	Bushing, Rdcng, 2" x 1 1/2" SPIG x S	1
10	0239000	Ell, 90, 1 1/2", S x S	1

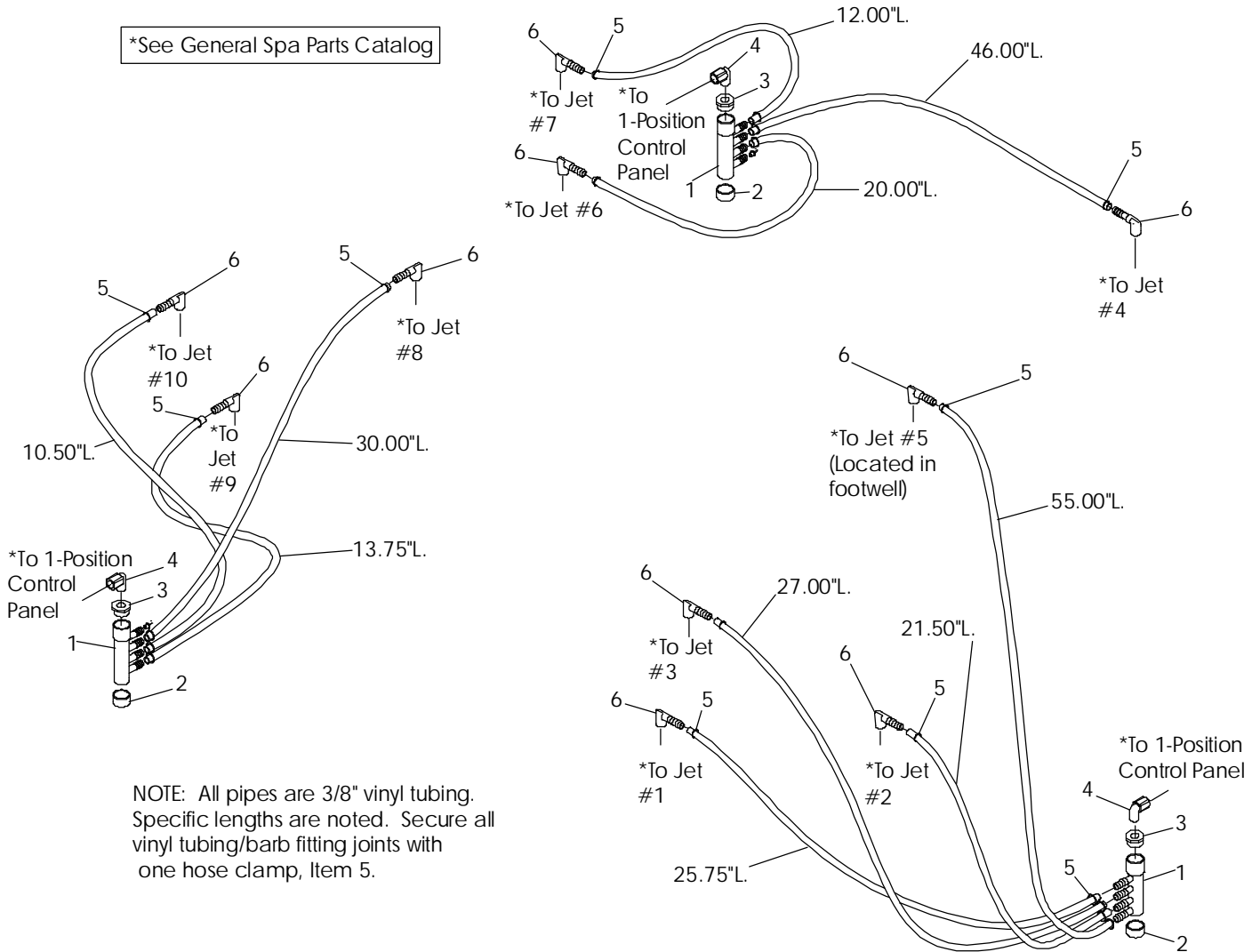


# Z145/MODEL 345

MODEL #H240000  
ISSUE DATE: 10/99

## AIR LINE PIPING

\*See General Spa Parts Catalog



NOTE: All pipes are 3/8" vinyl tubing.  
Specific lengths are noted. Secure all vinyl tubing/barb fitting joints with one hose clamp, Item 5.

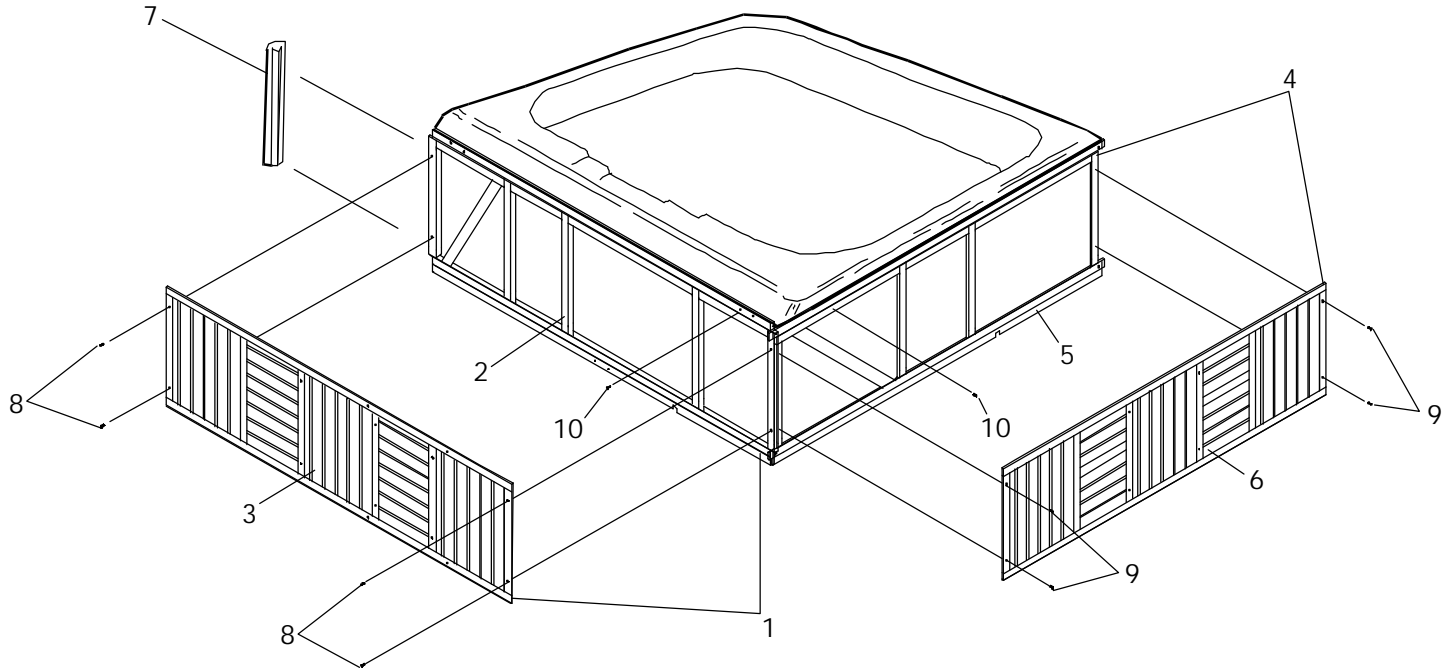
ITEM	P/N	DESCRIPTION	QTY
1	H200000	4 Port Manifold, 3/8 x 1	3
2	H214000	Cap, 1" Slip	3
3	0825000	Bushing, Rdcng, 1" x 1/2" SPG x S , Fit	3
4	7164000	El, Street, 1/2" 90	3
5	J975000	Hose Clamp, Dual Wire, 3/8 Tube	22
6	H210000	Barb, 3/8 90 x SPG 1/2	10



# Z145/MODEL 345

MODEL #H240000  
ISSUE DATE: 10/99

## SKIRT ASSEMBLY



ITEM	P/N	DESCRIPTION	QTY
1	N074000	Skirt Assembly, Front/Back	2
2	N086000	Skirt Frame	2
3	N097000	Skirt Panel	2
4	N069000	Skirt Assembly, Side	2
5	N089000	Skirt Frame	2
6	N094000	Skirt Panel	2
7	N078000	Corner Posts	4
8	H243837	Screw, Drywall, #6-8 x 2.50"L.	8
9	5303837	Screw, Drywall, #6-8 x 1.63"L.	16
10	H244837	Screw, Drywall, #10 x 3.50"L.	24



# Z145/MODEL 345

---

MODEL #H240000  
ISSUE DATE: 10/99

## OTHER ITEMS AVAILABLE

H558000  
J120000  
J121000

Tapered Rigid Thermal Cover  
Repair, 3/8" x 5' Vinyl Tubing  
Repair, 3/4" x 5' Vinyl Tubing

PRODUCT SPECIFICATIONS ARE SUBJECT TO CHANGE WITHOUT NOTICE.  
USE INSTALLATION INSTRUCTIONS SUPPLIED WITH PRODUCT.

Jacuzzi Whirlpool Bath has obtained applicable code (standards) listings generally available on a national basis for products of this type. It is the responsibility of the installer/owner to determine specific local code compliance prior to installation of the product. Jacuzzi Whirlpool Bath makes no representation or warranty regarding, and will not be responsible for any code compliance.

---

## **JACUZZI WHIRLPOOL BATH**

Jacuzzi Whirlpool Bath National Headquarters  
P.O. Drawer J, Walnut Creek, CA 94596 (510) 938-7070  
Service Support: (800) 288-4002

©Copyright 1996 Jacuzzi Whirlpool Bath J849000E 10/99

Printed in the U.S.A.